

WALL-ANTENNA MULTIBAND

UHF Multiband IOT/M2M/Cellular Antenna 0.44 m

Long range multiband antenna, ideal for IOT/M2M, cellular/mobile GSM(2G), UMTS(3G), LTE(4G) and WIFI low band communication.

- High quality wall mounted antenna especially made for demanding IOT/M2M applications
- Compact and light weight antenna for professional use
- Multiband design: LTE800/1800/2600, GSM850/900/1800/1900, UMTS900/2100 and WIFI 2.4 GHz
- Universal mounting with optionally brackets

Electrical Specifications:

Frequency	790 - 960 MHz, 1710 - 2170 MHz, 2412 - 2484 MHz, 2500 - 2690 MHz
Bandwidth	See "FREQUENCY"
Impedance	50 ohm
VSWR	< 2.5:1 (790 - 960 MHz), < 2.0:1 (1710 - 2170 MHz / 2412 - 2484 MHz / 2500 - 2690 MHz)
Polarisation	Vertical
GAIN	0 dBd, 2.1 dBi (790-960 MHz) 3 dBd, 5.1 dBi (1710-2170 MHz) 7 dBd, 9.1 dBi (2412-2690 MHz)
Radiation Pattern	Omni-directional
Max. Input Power	40 W

Mechanical Specifications:

Color	White and chrome
Length	440 mm
Weight	250 g
Mounting place	On wall or pole
Materials	PU-painted PC, PTFE, PE and nickel plated solid brass
Survival Wind Speed	55 m/s (125 mph)
Operating temperature	-55C to +70C (IEC 60068-2-1, IEC 60068-2-2)
Connector	N-female
Cable	No cable supplied



Ingress Protection	IP66
Vibration	IEC 60068-2-6, IEC 60068-2-64
Serial no.	On product label

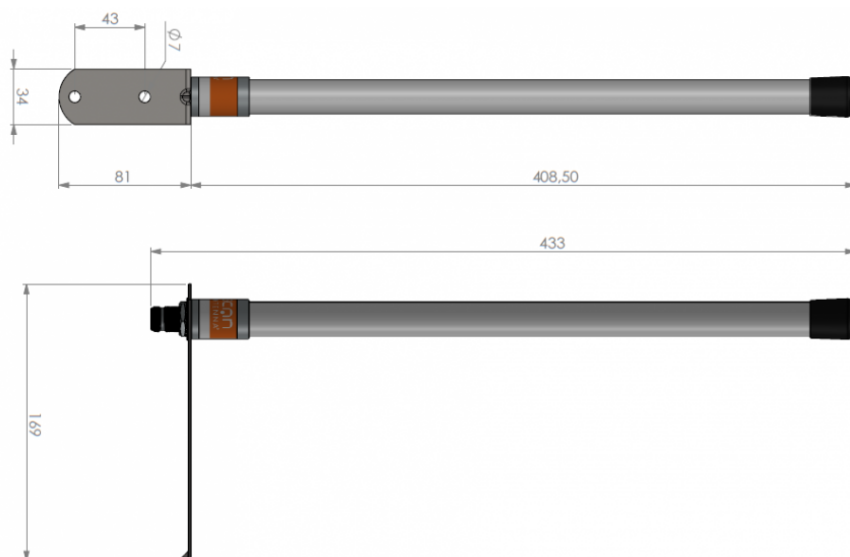
Ordering information:

P/N	40101-000 Antenna only (Bulk packing)
P/N	40101-001 Antenna only (Polybag)
P/N	40101-011 Antenna + Bracket + Mounting Kit (Polybag)
P/N	16180IP Bracket (Bulk packing)
P/N	10000-500B Mounting Kit Small (Bulk packing)
P/N	10000-501B Mounting Kit Small (Polybag)

Packaging Information:

Type	Bulk packing or individually packing in Polybag (See "ORDERING INFORMATION")
------	--

Outline Drawing



Typical Normalized Radiation Pattern

