

CCE-18.605 G



- pressure transmitter
- submersible
- nominal pressure: from 0...1 mH₂O up to 0...10 mH₂O
- output signals: 2-wire: 4...20 mA; 3-wire: 0...10 V / ratiometric
- piezoresistive stainless steel sensor
- accuracy 0.5 % span



PREFERRED AREAS OF USE ARE



Plant and Machine Engineering



Energy industry



Utility vehicles / mobile hydraulics

TECHNICAL DATA

Input pressure range						
Nominal pressure gauge	[bar]	0.1	0.25	0.4	0.6	1
Level	[mH ₂ O]	1	2.5	4	6	10
Overpressure	[bar]	1	1	1	3	3
Burst pressure ≥	[bar]	1.5	1.5	1.5	5	5
Vacuum resistance		unlimited				

Output signal / Supply	
Standard	2-wire: 4 ... 20 mA / V _S = 8 ... 32 V _{DC}
Option 3-wire	3-wire: 0 ... 10 V / V _S = 14 ... 30 V _{DC}
	3-wire ratiometric: 10...90 % of V _S / V _S = 2.7...5 V _{DC}

Performance	
Accuracy ¹	P _N > 160 mbar: ≤ ± 0,5 % span P _N ≤ 160 mbar: ≤ ± 1 % span
Permissible load	2-wire: R _{max} = [(V _S - V _{S min}) / 0.02 A] Ω 3-wire: R _{min} = 10 kΩ
Influence effects	supply: 0.05 % span / 10 V load: 0.05 % span / kΩ
Response time	2-wire: ≤ 10 msec 3-wire: ≤ 3 msec
Long term stability	≤ ± 0.2 % span / year at reference conditions
Measuring range	1 kHz

¹ accuracy according to EN IEC 62828-2— limit point adjustment (non-linearity, hysteresis, repeatability)

Thermal effects (Offset and Span) / Permissible temperatures	
Thermal error	≤ ± 0.3 % span / 10 K in compensated range 0 ... 70 °C
Permissible temperatures	medium / electronics / environment / storage: -10 ... 70 °C

Electrical protection	
Short circuit protection	permanent 3-wire ratiometric: none
Reverse polarity protection	no damage, but also no function
Electromagnetic compatibility	Emission and immunity according to EN 61326

Mechanical stability	
Vibration	10 g, 25 Hz ... 2 kHz according to DIN EN 60068-2-6
Shock	100 g / 1 msec according to DIN EN 60068-2-27

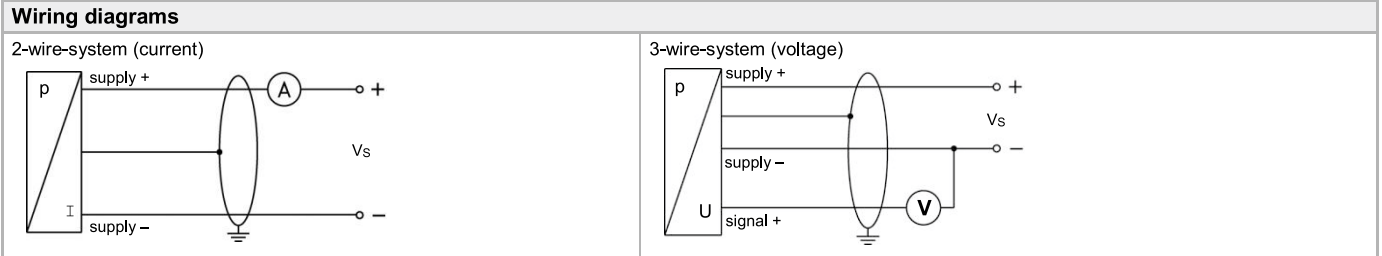
Materials (media wetted)	
Housing	stainless steel 1.4301 (304)
Seals	FKM
Diaphragm	stainless steel 1.4435 (316 L)
Cable sheath	PVC/PUR



Pressure transmitters

Miscellaneous	
Weight	approx. 120 g (without cable) cable: 25 g / m
Cable length	3 m, 6 m, 9 m or 12 m; others on request
Suitable for following media	water, fuel oil
Current consumption	2-wire: max. 25 mA 3-wire ratiometric: typ. 1.5 mA 3-wire voltage: typ. 5 mA (short circuit current: max. 20 mA)
Ingress protection	IP 68
CE-conformity	EMC Directive: 2014/30/EU

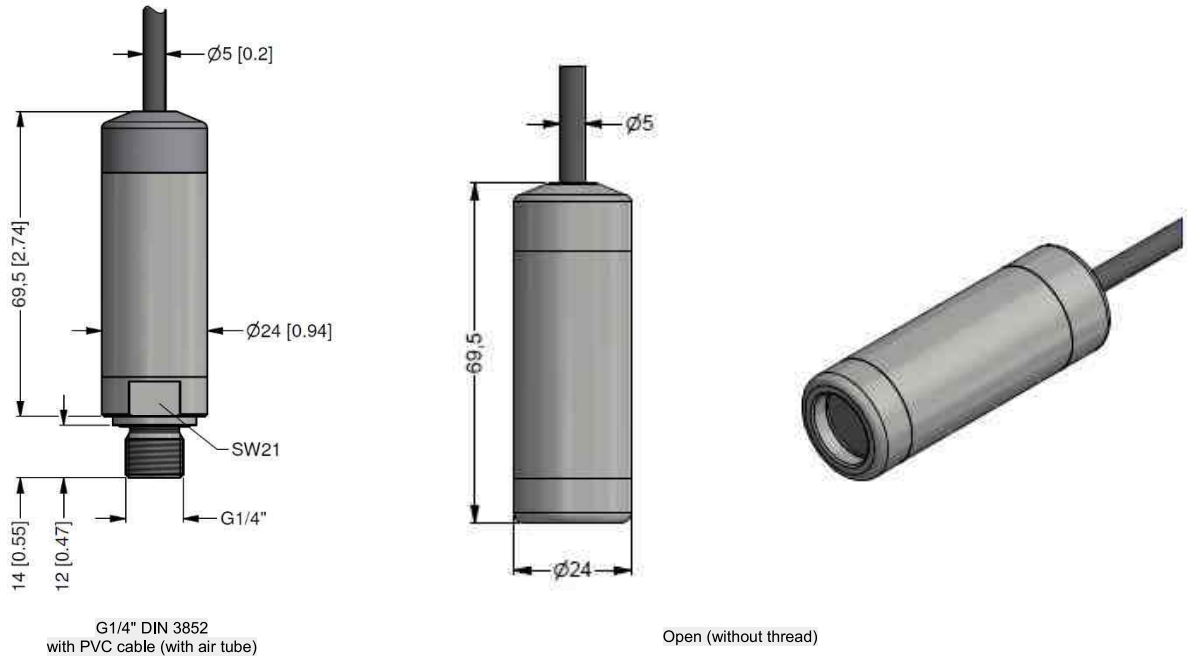
ELECTRICAL CONNECTION



Pin configuration

Electrical connections	cable colours (DIN 47100)
Supply +	wh (white)
Supply -	bn (brown)
Signal + (only for 3-wire)	gn (green)
Shield	gn/ye (green / yellow)

DIMENSION DRAWINGS



Pressure transmitters

ORDER CODE

CCE-18.605G--------

Input	[mH ₂ O]	[bar]																					
0 ... 1		0 ... 0,1	1	0	0	0																	
0 ... 2,5		0 ... 0,25	2	5	0	0																	
0 ... 4		0 ... 0,4	4	0	0	0																	
0 ... 6		0 ... 0,6	6	0	0	0																	
0 ... 10		0 ... 1	1	0	0	1																	
Customer			9	9	9	9																	
Pressure																							
in bar																					B		
in m H ₂ O																					M		
Customer																					9		
Output																							
4 ... 20 mA / 2-wire																					1		
0 ... 10 V / 3-wire																					3		
10 ... 90 % Vs / 3-wire ratiometric (Vs = 2,7 ... 5 V DC)																					R		
Customer																					9		
Accuracy																							
0.5 % (P _N > 160 mbar)																					5		
1 % (P _N ≤ 160 mbar)																					8		
Customer																					9		
Electrical connection																							
PVC (oil resistant) - default lengths																					1		
PUR (for water) - optional length																					2		
Customer																					9		
Cable length																							
3 m (PVC)																					0	0	3
6 m (PVC)																					0	0	6
9 m (PVC)																					0	0	9
12 m (PVC)																					0	1	2
Customer (PUR)																					9	9	9
Mechanical connection																							
G 1/4" DIN 3852																					3	0	0
Open (without thread)																					S	2	3
Customer																					9	9	9
Seals																							
Viton (FKM)																					1		
Customer																					9		
Special version																							
Standard																					0	0	0
Customer																					9	9	9

Manufacturer reserves the right to change sensor specifications without further notice.

