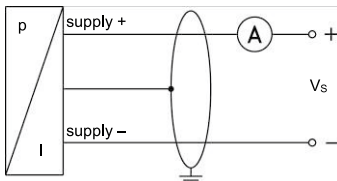
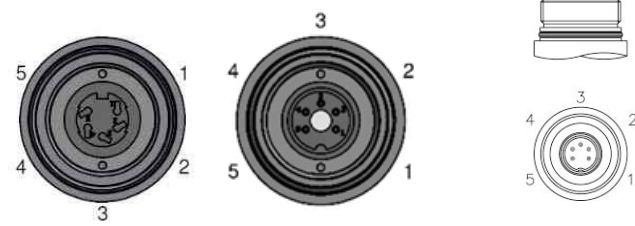
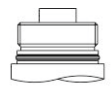




## Level transmitters

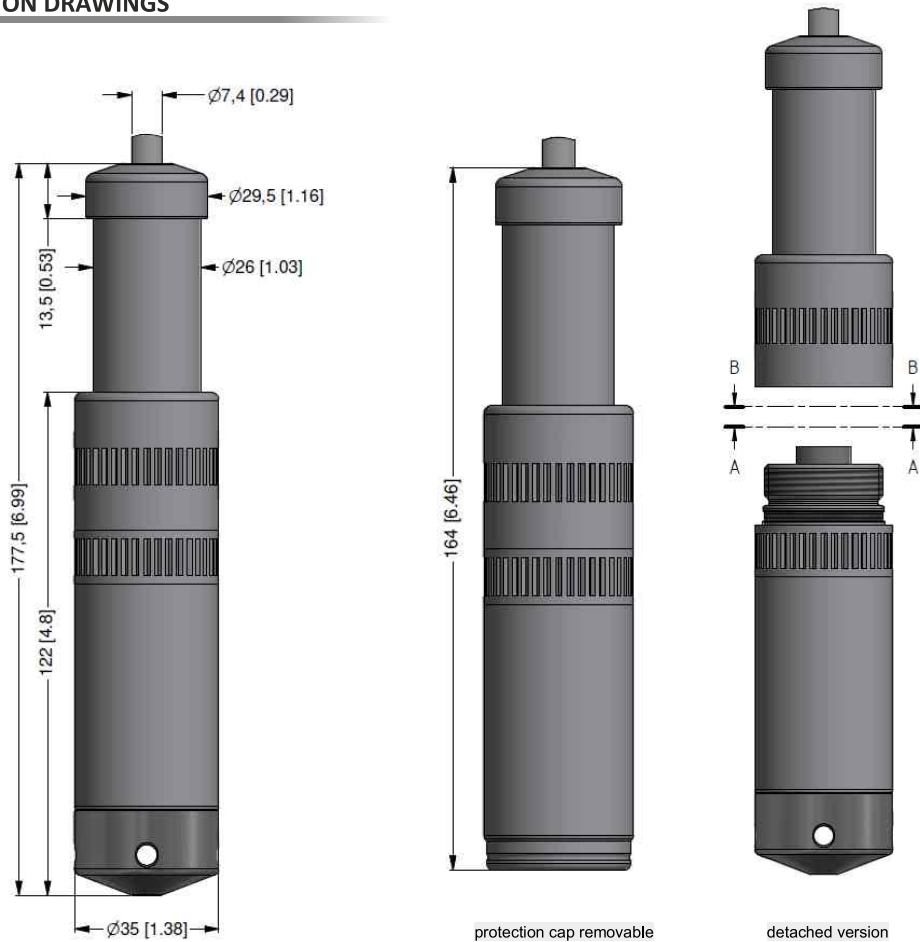
Electrical connection					
Cable with sheath material <sup>3</sup>	PVC	(-5 ... 70 °C)	grey	(-25 ... 70 °C in fixed condition)	Ø 7,4 mm
	PUR	(-25 ... 80 °C)	black	(with drinking water certificate)	Ø 7,4 mm
	FEP <sup>4</sup>	(-25 ... 75 °C)	black		Ø 7,4 mm
<sup>3</sup> cable with integrated air tube for atmospheric pressure reference					
<sup>4</sup> do not use freely suspended probes with an FEP cable if effects due to highly charging processes are expected					
Materials (media wetted)					
Housing	stainless steel 1.4404 (316L)				
Seals	FKM EPDM others on request				
Diaphragm	stainless steel 1.4435 (316L)				
Protection cap	POM-C				
Cable sheath	PVC, PUR, FEP, others on request				
Miscellaneous					
Current consumption	signal output current: max. 25 mA				
Weight	approx. 250 g (without cable)				
Ingress protection	IP 68				
CE-conformity	EMC Directive: 2014/30/EU				

## ELECTRICAL CONNECTION

Wiring diagram		
<p>2-wire-system (current)</p> 	<p>connector</p> 	
Pin configuration		
Electrical connection	Binder series 723 <sup>6</sup> (5-pin)	cable colours (DIN 47100)
Supply +	3	wh (white)
Supply -	1	bn (brown)
Shield	5	gn/ye (green / yellow)
<sup>6</sup> in detached version		



## DIMENSION DRAWINGS

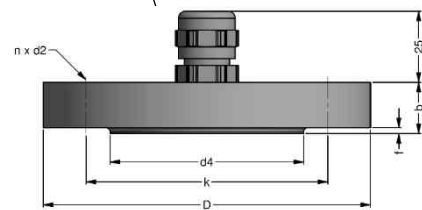


⇒ Total length of devices with accuracy 0.1 % span IEC 60770 increases by 16 mm !

## ACCESSORIES

Mounting flange with cable gland		
<b>Technical data</b>		
Suitable for	all probes	
Flange material	stainless steel 1.4404 (316L)	
Material of cable gland	standard: brass, nickel plated on request: stainless steel 1.4305 (303); plastic	
Seal insert	material: TPE (ingress protection IP 68)	
Hole pattern	according to DIN 2507	
<b>Version</b>	<b>Size (in mm)</b>	<b>Weight</b>
DN25 / PN40	D = 115, k = 85, b = 18, n = 4, d = 14	1.4 kg
DN50 / PN40	D = 165, k = 125, b = 20, n = 4, d = 18	3.2 kg
DN80 / PN16	D = 200, k = 160, b = 20, n = 8, d = 18	4.8 kg
<b>Ordering type</b>	<b>Ordering code</b>	
DN25 / PN40 with cable gland brass, nickel plated	ZMF2540	
DN50 / PN40 with cable gland brass, nickel plated	ZMF5040	
DN80 / PN16 with cable gland brass, nickel plated	ZMF8016	
<b>Cable clamp</b>		
<b>Technical Data</b>		
Suitable for	all probes with cable $\varnothing$ 5.5 ... 10.5 mm	
Material	standard: steel, zinc plated optionally: stainless steel 1.4301 (304)	
Weight	approx. 160 g	
<b>Ordering type</b>	<b>Ordering code</b>	
Terminal clamp, of steel, zinc plated	1003440	
Terminal clamp, of stainless steel 1.4301 (304)	1000278	

cable gland M16x1.5 with seal insert (for cable- $\varnothing$  4 ... 11 mm)



# Level transmitters

## ORDER CODE

CPA-P-308-    -     -   -   -     -     -

<b>Pressure</b>			
in bar	4	4	0
in m H <sub>2</sub> O	4	4	1
<b>Input</b>	<b>[mH<sub>2</sub>O]</b>	<b>[bar]</b>	
0 ... 1	0 ... 0,1		1 0 0 0
0 ... 1,6	0 ... 0,16		1 6 0 0
0 ... 2,5	0 ... 0,25		2 5 0 0
0 ... 4	0 ... 0,4		4 0 0 0
0 ... 6	0 ... 0,6		6 0 0 0
0 ... 10	0 ... 1		1 0 0 1
0 ... 16	0 ... 1,6		1 6 0 1
0 ... 25	0 ... 2,5		2 5 0 1
0 ... 40	0 ... 4		4 0 0 1
0 ... 60	0 ... 6		6 0 0 1
0 ... 100	0 ... 10		1 0 0 2
0 ... 160	0 ... 16		1 6 0 2
0 ... 250	0 ... 25		2 5 0 2
Customer			9 9 9 9
<b>Housing material</b>			
Stainless steel 1.4404 (316 L)			1
<b>Diaphragm material</b>			
Stainless steel 1.4435 (316 L)			1
<b>Output</b>			
4 ... 20 mA / 2-wire			1
0 ... 20 mA / 3-wire			2
0 ... 10 V / 3-wire <sup>2</sup>			3
Customer			9
<b>Seals</b>			
Viton (FKM)			1
EPDM			3
Customer			9
<b>Electrical connection</b>			
Without cable part			0
PVC - cable (grey, Ø 7,4 mm, price for 1 m) <sup>1</sup>			1
PUR - cable (black, Ø 7,4 mm, price for 1 m) <sup>1</sup>			2
FEP - cable with PTFE sheath (black, Ø 7,4 mm, price for 1 m) <sup>1</sup>			3
TPE-U - cable, up to 125°C (blue, Ø 7.4 mm, price for 1 m)			4
Customer			9
<b>Accuracy</b>			
0,5 % (P <sub>N</sub> ≤ 0,4 bar)			5
0,35 % (P <sub>N</sub> > 0,4 bar)			3
0,25 % (P <sub>N</sub> > 0,4 bar)			2
0,1 % (P <sub>N</sub> ≥ 0,4 bar)			1
0,5 % including Calibration Certificate (P <sub>N</sub> ≤ 0,4 bar)			T
0,35 % including Calibration Certificate (P <sub>N</sub> > 0,4 bar)			S
Measured values table for accuracy 0,35 %			M
Customer			9
<b>Cable length</b>			
in m			9 9 9
<b>Specials versions</b>			
Standard			0 0 0
Version with temperature sensor PT100			0 1 3
Customer			9 9 9
<b>Accessories for submersible transmitter</b>			
Cabel part + price for cabel in m			5000722
Terminal clamp - zinc plated			1003440
Terminal clamp - stainless steel 1.4301			1000278
Mounting screw PG16 - plastic			5002200

1 - cable with integrated ventilation tube for atmospheric pressure reference

2 - maximum length of PVC cable – 25 m, PUR, FEP, TPE – 40 m

Manufacturer reserves the right to change sensor specifications without further notice.

