



AD-P

Automatic Condensate Float Trap

Versions AD-P, AD-T, AD-So

Separator with Automatic Condensate Float Trap

Versions ADS-P, ADS-T, ADS-So

Special Features

- Safe condensate draining and separation
- Optical function control
- Easy and rapid cleaning
- Different materials available

Application

The M&C condensate float traps AD are used in gas conditioning systems to automatically drain the condensate accumulating during the cooling of gases.

The condensate float traps type ADS have a modified upper section with an additional separator function to separate the condensate from saturated gas flows and simultaneously discharge it.

The traps can only be used in case of overpressure.

Description

The condensate float trap versions AD and ADS operate according to the buoyancy principle.

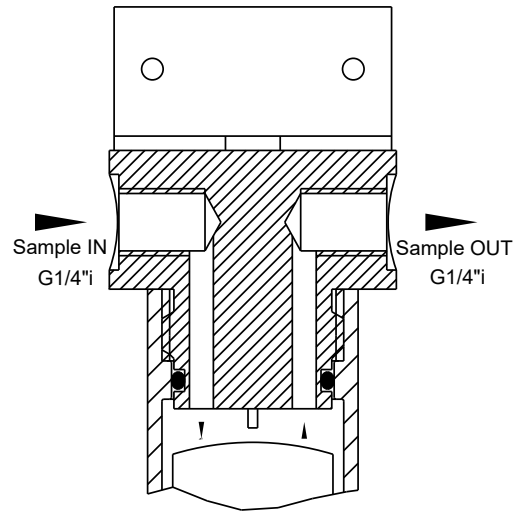
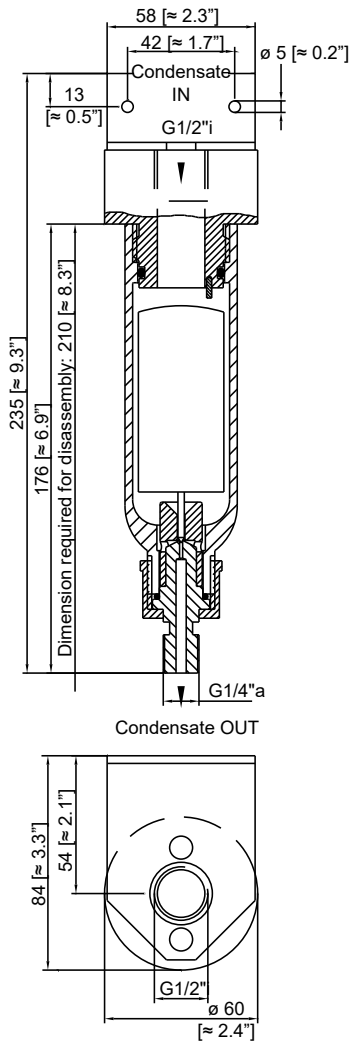
In the detachable lower section, the buoyancy body closes the drain hole with its valve tip until its own weight is offset by the buoyancy of the rising condensate. The buoyancy body lifts off and the condensate can flow off until its downforce prevails and the valve is closed again.

The respective 3 versions listed differ in terms of materials. AD-P, AD-T, ADS-P and ADS-T have a buoyancy body made of glass, whereas in the case of AD-So and ADS-So, it is made of stainless steel.

Cleaning can be carried out quickly and easily due to the fact that all parts can be dismantled. The functioning of the traps AD-P, AD-T, ADS-P and ADS-T can be visually checked through the glass cylinder.

**Automatic Condensate Float Trap
AD-P/T/So**

**Separator with Automatic Condensate
Float Trap ADS-P/T/So**



Dimensions in mm [Inches]

Technical Data

	Automatic Condensate Float Trap			Separator with Automatic Condensate Float Trap		
	AD-P	AD-T	AD-So	ADS-P	ADS-T	ADS-So
Part No.	09K1000	09K2000	09K2500	09K6000	09K7000	09K7500
Material						
Housing	PP, glass	PTFE, glass	SS 316Ti	PP, glass	PTFE, glass	SS 316Ti
Float	PP	PVDF	PVDF	PP	PVDF	PVDF
Valve seat, O-rings	PTFE, FKM	PTFE, FEP	PTFE, FKM	PTFE, FKM	PTFE, FEP	PTFE, FKM
Operating temperature	60 °C [140 °F]	90 °C [194 °F]		60 °C [140 °F]	90 °C [194 °F]	
Operating pressure	1 to 2 bar abs.					
Function	Down to min. density 0.7 kg/dm ³ , at 1 bar					
Drain capacity	Max. 2 l/h H ₂ O, at 1 bar and 20 °C [68 °F]					
Mounting position	Vertical					
Connections	Condensate IN: G 1/2" female DIN ISO 228/1* Condensate OUT: G 1/4" male DIN ISO 228/1*			Sample IN/OUT: G 1/4" female DIN ISO 228/1* Condensate OUT: G 1/4" male DIN ISO 228/1*		
Weight	0.35 kg [≈ 0.8 lb]		1.5 kg [≈ 3.3 lbs]	0.35 kg [≈ 0.8 lb]		1.5 kg [≈ 3.3 lbs]

* The dimensions and designation of the screw-in threads correspond to the respective applicable standard. The tolerances of the thread standards are matched to metal threads and cannot be applied to plastic threads.