



AD-SS

Automatic Condensate Float Trap

Version AD-SS

Separator with Automatic Condensate Float Trap

Version ADS-SS

Special Features

- **Safe condensate draining and separation**
- **Completely made of stainless steel**
- **For high pressure and temperature applications**
- **High draining capacity**

Application

The M&C condensate float traps AD-SS are used in gas conditioning systems to automatically drain the condensate accumulating during the cooling of gases.

For condensate pre-separation of saturated gas with simultaneous draining, the ADS-SS condensate float traps are provided with a lateral gas connection for additional separator functions.

The traps can only be used with overpressure.

Note for operation !

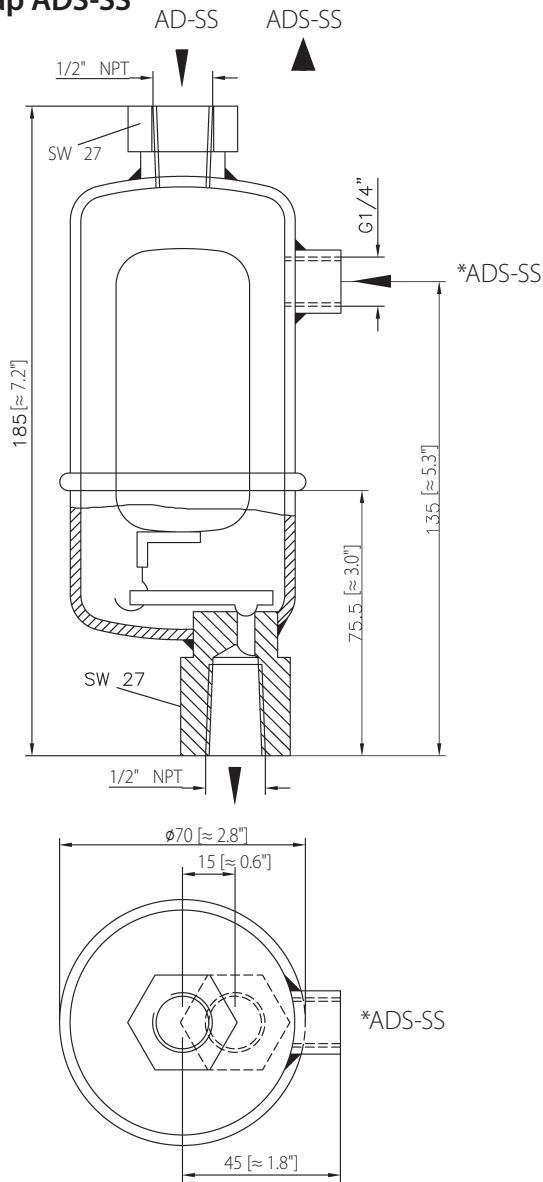
The M&C condensate float trap AD-SS and the separator ADS-SS have to be filled with water before operation, because otherwise the draining valve will remain open due to its design!

Description

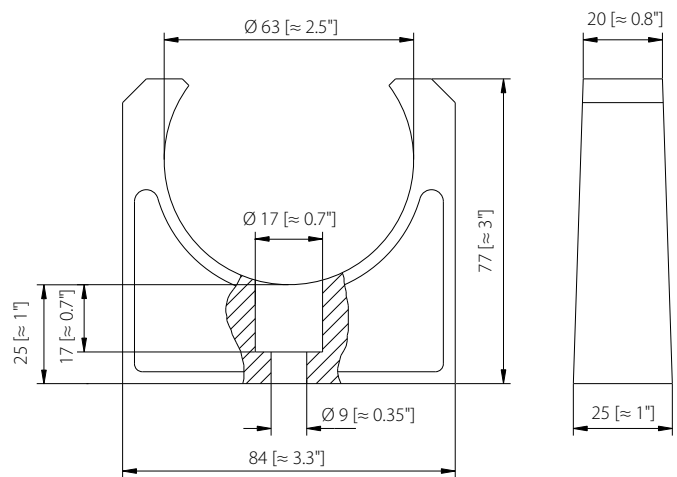
The AD-SS and ADS-SS condensate float traps operate according to the buoyancy principle. Housing, float, valve and valve seat are made of stainless steel. The outlet valve is controlled by a free-floating lever mechanism. The buoyancy body closes the drain hole with the valve tip via the lever mechanism until its own weight is offset by the buoyancy of the rising condensate. The buoyancy body lifts off and the condensate can flow off until its down-force prevails and the valve is closed again.

The ADS-SS separator with an automatic condensate trap is a modified version of AD-SS with an additional lateral gas connection.

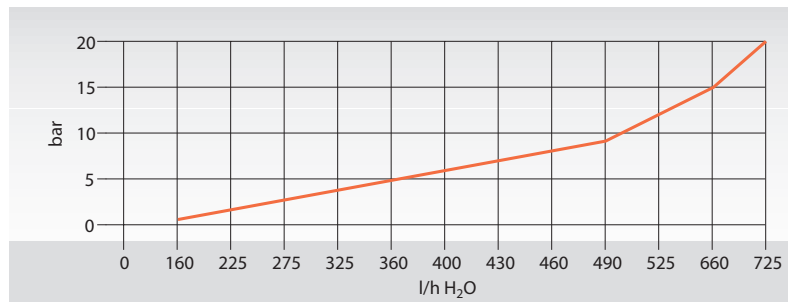
Automatic Condensate Float Trap AD-SS, Separator with Automatic Condensate Float Trap ADS-SS



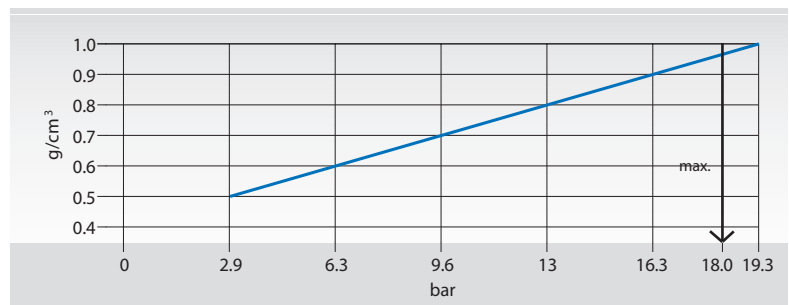
Mounting Clip AD-SS for Wall-Mounting



Drain capacity depending on working pressure



Max. working pressure depending on specific gravity



Dimensions in mm *Only for version ADS-SS, this connection is not available for AD-SS.

Technical Data

| | Automatic Condensate Float Trap AD-SS | Separator with Automatic Condensate Float Trap ADS-SS | Mounting Clip AD-SS for Wall-Mounting Mounting clip |
|-----------------------|---|---|---|
| Part No. | 09K3000 | 09K8000 | 90K3010 |
| Material | Stainless steel 304, 316Ti, 304L | | PE |
| Operating temperature | 0 to +200 °C [32 to 392 °F] | | -20 to +90 °C [-4 to 194 °F] |
| Storage temperature | -50 to +200 °C [-58 to 392 °F] | | -30 to +110 °C [-22 to 230 °F] |
| Operating pressure | 1 to 19 bar abs. | | |
| Function | Volumetric mass density min. 0.5 kg/dm ³ , at 1 bar abs. | | |
| Draining capacity | 160 l/h H ₂ O, at 1 bar abs. and 20 °C [68 °F] | | |
| Mounting position | | Vertical | |
| Condensate IN | 1/2" NPT female | | |
| Condensate OUT | 1/2" NPT female | | |
| Sample gas IN | | G 1/4" female | |
| Sample gas OUT | | 1/2" NPT female | |
| Weight | 0.8 kg [≈ 1.8 lbs] | | 0.05 kg [≈ 0.1lb] |