



FPF-0,1GF

Front-Panel Mounting Fine Filter Series FP®

Versions FPF-0,1GF, FPF-3SS and FPF-2-0,3GF

Special Features

- Flat design
- Low internal dead volume
- Simple construction
- Easy assembly
- Straightforward change of filter element
- Universal applicability

Application

The M&C front-panel fine filters with deep-acting filter element reliably separate the solid contaminations occurring in analytical technology during gas filtration, in particular ultra-fine particles. The FPF front-panel filters are equipped with a glass fiber ultra-fine filter element (0.1 μm) in the FPF-0.1GF version and with a stainless steel filter element (3 μm) in the FPF-3SS version. The FPF-2 installation filter is equipped with a round glass fiber filter element (0.3 μm). The large filter surface of the cylindrical filter element (versions FPF-0.1GF and FPF-3SS) ensures reliable ultra-fine filtration and long service life with low pressure loss.

The 19" front-panel mounting technology requires flat devices, for which the FPF-0,1GF, FPF-3SS and FPF-2-0,3GF front-panel filters were primarily developed.

Description

Special features of the M&C front-panel filters FPF and FPF-2 are flat design, low internal dead volume, simple construction and assembly as well as universal usability.

The filter glass allows the condition of the filter to be seen immediately from the outside without opening the filter assembly. No tools are required to change the filter element, whereby the optimum positioning of the O-ring always ensures a reliable sealing between the filter glass and the filter body.

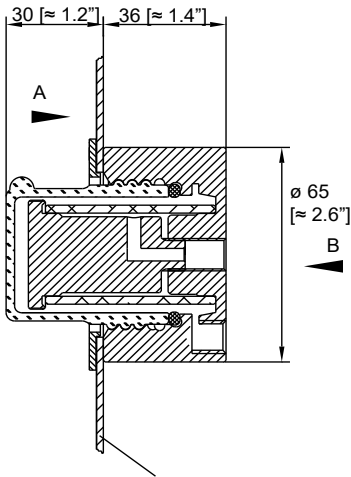
The gas connections are located at the rear of the filter body. The sample gas inlet can be rotated 180° at the front ring attachment so that flexible adaptation to local conditions is possible during installation.

The FPF-2-0.3GF has an integrated liquid alarm sensor.

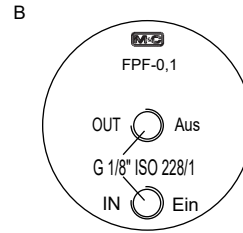
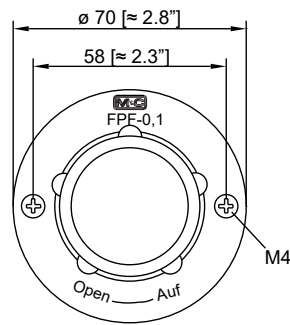
Corresponding tube connections are optionally available.

Front-panel mounting fine filter FPF-0,1GF

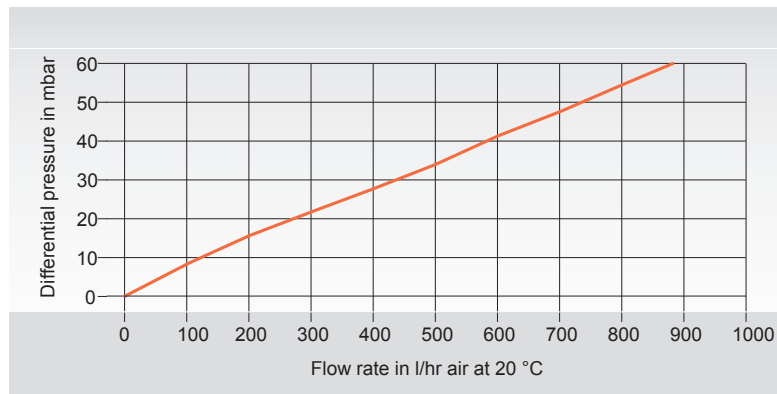
ore-hole in frontpanel $\varnothing 50$ [≈ 2 "]



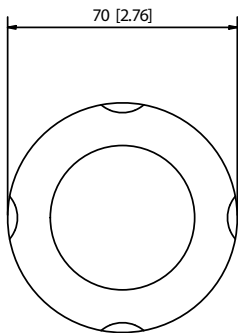
Bore-hole in frontpanel $\varnothing 50$ [≈ 2 "]



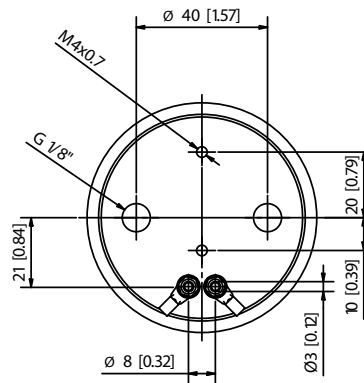
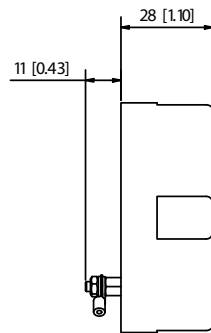
Differential pressure in mbar depending on flow rate in NI/h air and with a new filter element.



Front-panel mounting fine filter FPF-2-0,3GF



Dimensions in mm [Inches]



Technical Data

Front-Panel Mounting Fine Filter Series FP*	Version FPF-0,1	Version FPF-3SS	Version FPF-2-0,3GF
Part No.	04F1000	04F1005	04F2000
Filter element	Glass fiber 0.1 μm (others on request)	Stainless steel 3 μm	Round filter element, glass fiber 0.1 μm
Connections	G 1/8" female DIN ISO 228/1*		
Pressure	Max. 4 bar g		Max. 1.4 bar
Sample temperature	Max. 80 °C [176 °F]		Max. 45 °C [113 °F]
Ambient temperature	Max. 80 °C [176 °F]		Max. 45 °C [113 °F]
Filter surface	50 cm ²		23 cm ²
Internal dead volume	30 ml		15 ml
Weight	280 g [\approx 0.6 lb]	330 g [0.73 lb]	130 g
Type of mounting	Front-panel mounting		
Material of sample-contacting parts	PTFE, PVDF, glass, FKM, glass fiber	PTFE, PVDF, glass, FKM, stainless steel	PVC, acrylic glass, Viton®

* The thread lengths of the screw-in threads correspond to the respective applicable standard. The tolerances of the thread standards are matched to metal threads and cannot be applied to plastic threads.
Viton® is a registered trademark for fluoroelastomers by DuPont Performance Elastomers, USA.