



Straight GL adapter for flexible tube with GL nut and GL sealing ring

Fittings for GL Glass Connections

Compression tube fittings, straight and elbow adapters, adjustable elbow adapters

Special Features

- **Corrosion-resistant**
- **Gas-tight**
- **Easy to handle**

Application

The M&C "GL" glass connections with GL sealing rings are only suitable for connecting rigid plastic tubes or stainless steel tubes.

For flexible tubes, e.g. made of PVC, FKM or PTFE, GL connection adapters must be used for secure connections. At higher operating pressures > 1 bar, these adapters must also be used for rigid plastic tubes and stainless steel tubes.

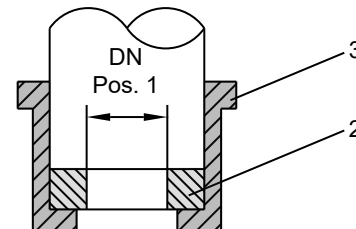
When ordering connecting adapters for new devices, an additional order for GL sealing rings and GL nuts is not necessary, as the devices are equipped according to the specific requirements.

	Material PP (Polypropylene)	Material PVDF (Polyvinylidenfluoride)
Pressure	0.4 to 6 bar abs.	0.4 to 6 bar abs.
Operating temperature	Max. +60 °C [140 °F]	Max. +80 °C [176 °F]
Storage temperature	-20 to +80 °C [-4 to 176 °F]	-20 to +120 °C [-4 to 248 °F]

Compression Tube Fittings

The compression tube fitting consists of the GL nut (material: pressed material) and the GL sealing ring (materials: PTFE, silicone). As standard, GL 18 connections are equipped with a 6 mm sealing ring and GL 25 connections with a 12 mm sealing ring.

GL 18 nut (Pos. 3)	Part No. (Pos. 3)	GL 18 sealing ring (Pos. 2)	DN [mm] (Pos. 1)	Part No. (Pos. 2)
GL 18	91F1005	GL 18 - 6 mm	6	91F1010
		GL 18 - 8 mm	8	91F1015
		GL 18 - 10 mm	10	91F1020
GL 18/14*	91F1007	GL 18 - 6 mm	6	91F1010
		GL 18 - 8 mm	8	91F1015
		GL 18 - 10 mm	10	91F1020



Pos. 1: Inner diameter of the GL sealing ring
Pos. 2: GL sealing ring
Pos. 3: GL nut

GL 25 nut (Pos. 3)	Part No. (Pos. 3)	GL 25 sealing ring (Pos. 2)	DN [mm] (Pos. 1)	Part No. (Pos. 2)
GL 25	90F0020	GL 25 - 8 mm	8	90F0035
		GL 25 - 10 mm	10	90F0030
		GL 25 - 12 mm	12	90F0025
GL 25/18*	90F0022	GL 25 - 8 mm	8	90F0035
		GL 25 - 10 mm	10	90F0030
		GL 25 - 12 mm	12	90F0025

* With large bore hole

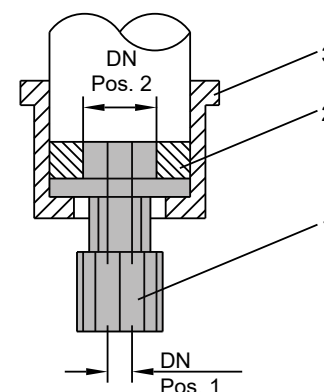
Straight GL Adapter for Flexible Tube

The straight GL adapter for flexible tube is made of PVDF. Each straight GL adapter requires a matching GL nut and a matching GL sealing ring. The sealing ring is made of PTFE, silicone and the GL nut of pressed material.

Straight GL adapter for flexible tube (Pos. 1)	Part No. (Pos. 1)	GL 18 nut, GL 18 sealing ring (Pos. 3 und 2)	Part No. (Pos. 3 und 2)
GL 18 - 4/6	09F9500	GL 18, GL 18 - 8 mm	91F1005, 91F1015
GL 18 - 6/8	09F9510	GL 18/14*, GL 18 - 8 mm	91F1007, 91F1015

Straight GL adapter for flexible tube (Pos. 1)	Part No. (Pos. 1)	GL 25 nut, GL 25 sealing ring (Pos. 3 und 2)	Part No. (Pos. 3 und 2)
GL 25 - 4/6	09F9520	GL 25, GL 25 - 12 mm	90F0020, 90F0025
GL 25 - 6/8	09F9525	GL 25,, GL 25 - 12 mm	90F0020, 90F0025
GL 25 - 10/12	09F9530	GL 25/18*, GL 25 - 12 mm	90F0022, 90F0025

* With large bore hole

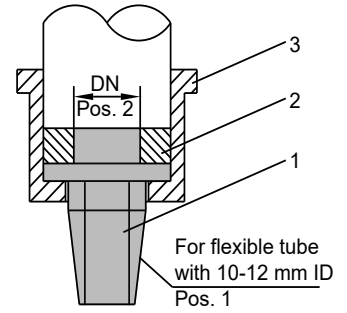


Pos. 1: Straight GL adapter for flexible tube
Pos. 2: GL sealing ring
Pos. 3: GL nut

Straight GL Adapter with Barbed Fitting

The straight GL adapter with barbed fitting is made of PVDF. Each straight GL adapter with barbed fitting requires a matching GL nut and a matching GL sealing ring. The sealing ring is made of PTFE, silicone and the GL nut of pressed material.

Straight GL adapter with barbed fitting (Pos. 1)	Part No. (Pos. 1)	GL 25 nut, GL 25 sealing ring (Pos. 3 and 2)	Part No. (Pos. 3 and 2)
GL 25 10 - 12 PVDF	09F9540	GL 25, GL 25 - 12 mm	90F0020, 90F0025



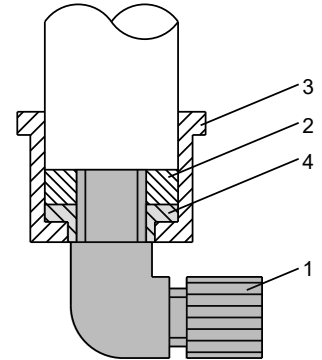
Pos. 1: Straight GL adapter with barbed fitting
Pos. 2: GL sealing ring
Pos. 3: GL nut

GL Elbow Adapter for Flexible Tube

GL elbow adapter for flexible tube are used wherever a 90° tube routing is necessary due to space restrictions and operating pressures ≥ 1 bar to 5 bar are present.

The sample-contacting part of the GL elbow adapter for flexible tube is made of PVDF. Each GL elbow adapter requires a matching GL nut and a matching GL sealing ring. The sealing ring is made of PTFE, silicone and the GL nut of pressed material.

GL elbow adapter for flexible tube (Pos. 1 and 4)	Part No. (Pos. 1 and 4)	GL 25 nut, GL 25 sealing ring (Pos. 3 and 2)	Part No. (Pos. 3 and 2)
GL 25 - 4/6	05V6035	GL 25, GL 25 - 10 mm	90F0020, 90F0030
GL 25 - 6/8	05V6030	GL 25, GL 25 - 10 mm	90F0020, 90F0030



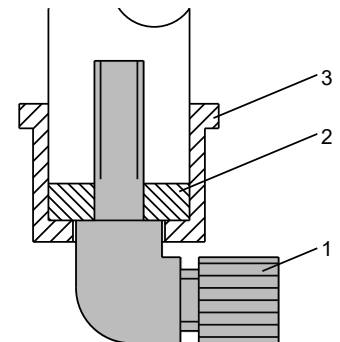
Pos. 1 and 4: GL elbow adapter for flexible tube
Pos. 2: GL sealing ring
Pos. 3: GL nut
Pos. 4: GL expander ring (GL elbow adapter for flexible tube)

Adjustable GL Elbow Adapter for Flexible Tube

The adjustable GL elbow adapter for flexible tube are used wherever a 90° tube routing is necessary due to space restrictions and operating pressures < 1 bar are present.

The adjustable GL elbow adapter for flexible tube is made of PP or PVDF. Each adjustable GL elbow adapter requires a matching GL nut and a matching GL sealing ring. The sealing ring is made of PTFE, silicone and the GL nut of pressed material.

Adjustable GL elbow adapter for flexible tube, PVDF (Pos. 1)	Part No. (Pos. 1)	GL 18 nut, GL 18 sealing ring (Pos. 3 and 2)	Part No. (Pos. 3 and 2)
EV PVDF D 6 - DN 4/6	05V6010	GL 18, GL 18 - 6 mm	90F1005, 91F1010
EV PVDF D 8 - DN 6/8	05V6025	GL 18, GL 18 - 8 mm	90F1005, 91F1015



Pos. 1: Adjustable GL elbow adapter for flexible tube
Pos. 2: GL sealing ring
Pos. 3: GL nut

Adjustable GL elbow adapter for flexible tube, PVDF (Pos. 1)	Part No. (Pos. 1)	GL 25 nut, GL 25 sealing ring (Pos. 3 and 2)	Part No. (Pos. 3 and 2)
EV PVDF D 8 - DN 4/6	05V6011	GL 25, GL 25 - 8 mm	90F0020, 90F0035
EV PVDF D 8 - DN 6/8	05V6025	GL 25, GL 25 - 8 mm	90F0020, 90F0035
EV PVDF D 12 - DN 10/12	05V6015	GL 25, GL 25 - 12 mm	90F0020, 90F0025

Adjustable GL elbow adapter for flexible tube, PP (Pos. 1)	Part No. (Pos. 1)	GL 18 nut, GL 18 sealing ring (Pos. 3 and 2)	Part No. (Pos. 3 and 2)
EV PP D 6 - DN 4/6	05V6000	GL 18, GL 18 - 6 mm	90F1005, 91F1010
EV PP D 8 - DN 6/8	05V6003	GL 18, GL 18 - 8 mm	90F1005, 91F1015

Adjustable GL elbow adapter for flexible tube, PP (Pos. 1)	Part No. (Pos. 1)	GL 25 nut, GL 25 sealing ring (Pos. 3 and 2)	Part No. (Pos. 3 and 2)
EV PP D 8 - DN 4/6	05V6001	GL 25, GL 25 - 8 mm	90F0020, 90F0035
EV PP D 8 - DN 6/8	05V6003	GL 25, GL 25 - 8 mm	90F0020, 90F0035
EV PP D 12 - DN 10/12	05V6005	GL 25, GL 25 - 12 mm	90F0020, 90F0025

GL Glass Connections are Featured on the Following M&C Products:



M&C Product	Connection type	Connection dimensions
Compressor-gas coolers: EC; EC-S; EC-EX; EC-30; EC-30C; ECC; ECM	Sample gas IN/OUT Condensate OUT	GL 18 GL 25
Peltier-gas coolers: ECP-1/GL; ECP-1000/2000/3000; ECP-1000C/2000C/3000C; ECP-20-1/2	Sample gas IN/OUT Condensate OUT	GL 18 GL 25
Filter: F...-D	Condensate OUT	GL 25
Flow meter: FM-1	Sample gas IN/OUT	GL 18
Flow meter with needle valve: FM-10	Sample gas OUT	GL 18