



MP26-H1

Analytical Diaphragm Pump Series MP[®]

Version MP26-H1 - heated up to 180 °C

Special Features

- Heated up to 180 °C [356 °F]
- Corrosion-resistant
- With high-temperature limiter
- Low-temperature alarm
- 100 % lubricant-free
- Gas-tight
- Maintenance-free
- Long service life

Application

This M&C diaphragm pump MP26-H1 is suitable for corrosive gases. Its performance and design are specially designed for the problems encountered in analytical technology for hot gas measurement.

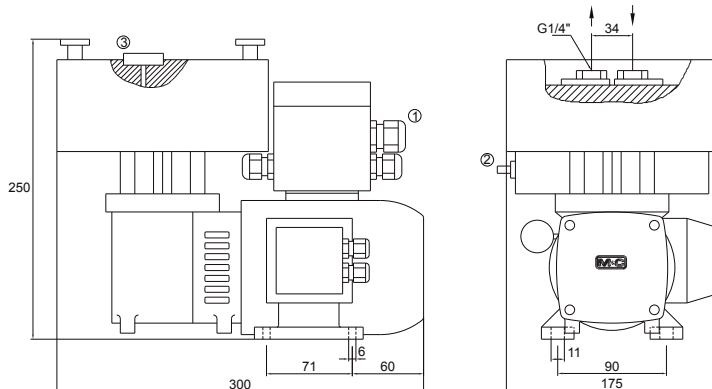
Description

The M&C diaphragm pump MP26-H1 has an electrically heated, chambered pump head out of PTFE. The temperature control is carried out with an integrated capillary sensor thermostat, adjustable from 0 to 180 °C [32 to 356 F], incl. high-temperature limiter and low-temperature alarm function. All parts in contact with the medium are out of PTFE and the diaphragm pressure disc is made of nickel-plated stainless steel.

The pump works absolutely lubricant-free. Gases therefore remain analytically unchanged. Due to a special diaphragm and valve system, the pump operates maintenance-free and guarantees a long service life.

In order to ensure smooth operation, it is important to pay attention to the permissible operating overpressure. Thus, the reduction or regulation of the gas quantity should take place on the suction side via a needle valve or on the pressure side by means of an overpressure valve or bypass.

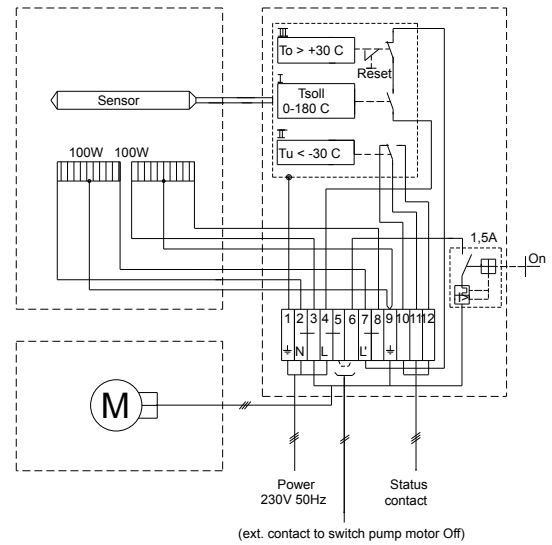
Electrically Heated Pump MP26-H1



① : 2x PG13, 1x PG9; ② : Heater elements; ③ : Thermometer, indicator for 50 - 250 µC

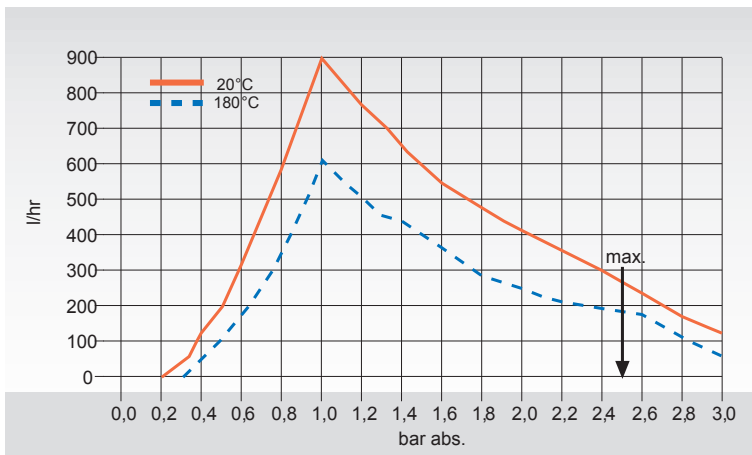
Dimensions in mm

Electrical Connections



(ext. contact to switch pump motor Off)

Performance Characteristics MP26-H1



Technical Data

Diaphragm Pump, Heated Series MP*	MP26-H1 10 LPM 230 V/50 Hz
Part number	02P1300
Capacity max.	10.0 LPM at 180 °C [356 °F], without pressure
Operating pressure max.	0.3 to 2.5 bar abs.
Sample temperature	-20 to +200 °C [-4 to 392 °F]
Ambient temperature	-10 to +40 °C [14 to 104 °F]
Storage temperature	-15 to +60 °C [5 to 140 °F]
Operation mode	100 % continuous duty, start of the pump only without pressure!
Power supply	Motor = 230 V/50 Hz*, 1,1 A, incl. protective motor switch *Standard Heater = 230 V/50 Hz*, 2,0 A *Standard
Degree of protection	IP44 - EN 60529 *Standard
Temperature adjustment	0 to 180 °C [32 to 356 °F], (180 °C [356 °F] set at the factory)
Low-temperature alarm contact	Alarm point: ΔT 30 °C, contact rating: 250 V, 3 A~, 0.25 A =
Weight	6.5 kg [≈ 14.3 lbs]
Sample connection	G 1/4" i DIN ISO 228/1
Material of sample-contacting parts	PTFE (and stainless steel nickel-plated)

Please note: NI/h and NI/min refer to the German standard DIN 1343 and are based on these standard conditions: 0 °C [32 °F], 1013 mbar.