



RV-11

Needle Valve Series RV-11

with shutting-off and fine-adjusting function

Special Features

- Corrosion-resistant
- Compact design
- Gas-tight
- Maintenance-free
- Easy to operate
- Simple system assembly

Application

In an analysis system, gas flow rates must be precisely adjustable according to the application-specific requirements. This adjustment is carried out reliably and accurately with the compact M&C fine-adjusting needle valves RV-11-P, RV-11-T and RV-11-PK due to the optimally designed valve control system. The use of corrosion-resistant materials also guarantees analytical neutrality.

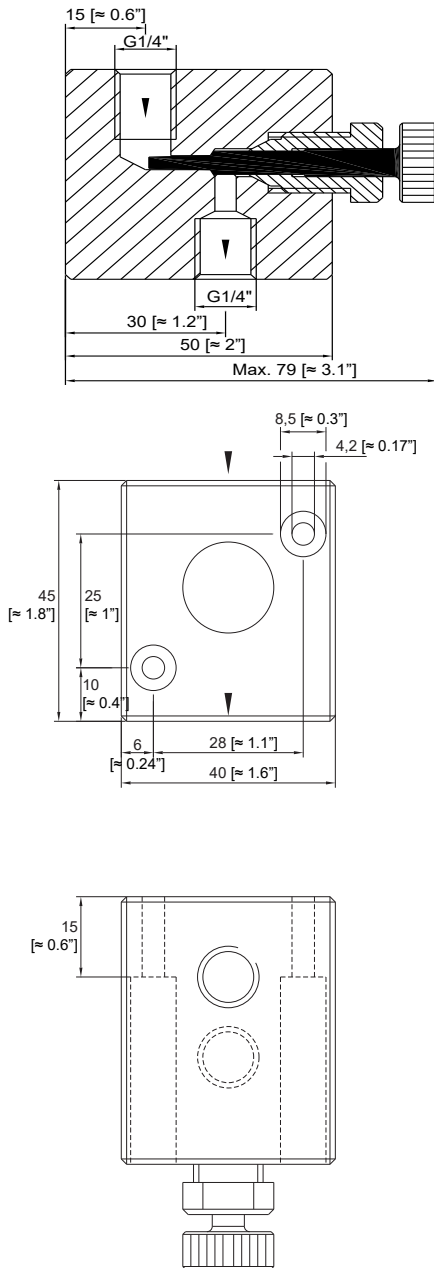
Description

Special features of the M&C needle valves of the series RV-11 are compact design, exact control characteristics with shut-off function, valve bodies made of different materials as well as the mounting option integrated into the valve body for the easy installation of tubed systems.

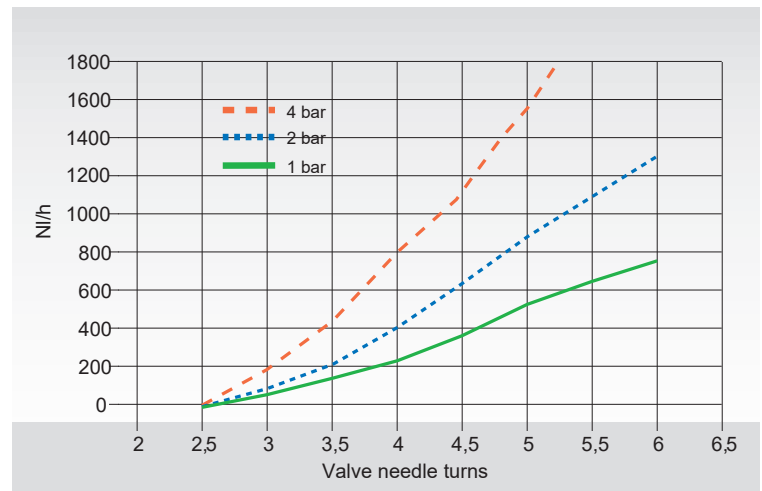
Gas inlet and outlet are arranged vertically to the valve needle. The gas inlet is located at the tip of the valve needle. The valve needle is reliably sealed and fixed in the valve body by the single-piece or, depending on the material, two-piece seal packing pressure screw, without O-rings. Approx. 2 1/2 needle turns are used for the shut-off function. A further 3 1/2 turns are required to carry out fine flow adjustment. The valve needle has no end stop and should only be actuated according to the control characteristic.

When installed on site, flexible adaptation to local conditions is possible by positioning the connections as requested. Tube connection fittings are optionally available.

Needle valve RV-11



Flow rate in NI/h of air and valve needle turns at 4, 2 and 1 bar upstream pressure.



Dimensions in mm [Inches]

Technical Data

Needle valve	RV-11-P	RV-11-T	RV-11-PK
Part No.	02V1000	02V1200	02V1300
Type of design	Straight-way type		
Typ of mounting	Wall-mounting		
Connections	G 1/4" i, DIN ISO 228/1		
Internal dead volume	2 ml		
Pressure, max.	4 bar		
Sample temperature, max.	80 °C [176 °F]	100 °C [212 °F]	150 °C [302 °F]
Ambient temperature, max.	80 °C [176 °F]	100 °C [212 °F]	150 °C [302 °F]
Material of sample-conducting parts			
Body	PVDF	PTFE	PEEK
Valve needle	PVDF	PCTFE	PEEK
Seal packing pressure screw	PTFE	PTFE	PTFE/PEEK
Weight	150 g [≈ 0.33 lb]	190 g [≈ 0.42 lb]	150 g [≈ 0.33 lb]

Please note: NI/h and NI/min refer to the German standard DIN 1343 and are based on these standard conditions: 0 °C [32 °F], 1013 mbar.