



SP53-PP-2GF and SP52-PP-2GF

## Ambient Air Suction Filter Series SP®

Versions SP52-PP-2GF, SP52-PV-2GF, SP52-T-2GF, SP52-A/A-2GF and SP52-SS-20T without splash-proof sleeve

Versions SP53-PP-2GF and SP53-T-2GF with splash-proof sleeve

### Special Features

- Ultra-fine filtration
- Large active filter surface
- Various materials available
- Easy mounting
- Straightforward maintenance

### Application

M&C ambient air filters SP52/SP53 are used for filtration of ambient air in gas analyzing systems. The main applications are ambient air measurements and air conditioning systems.

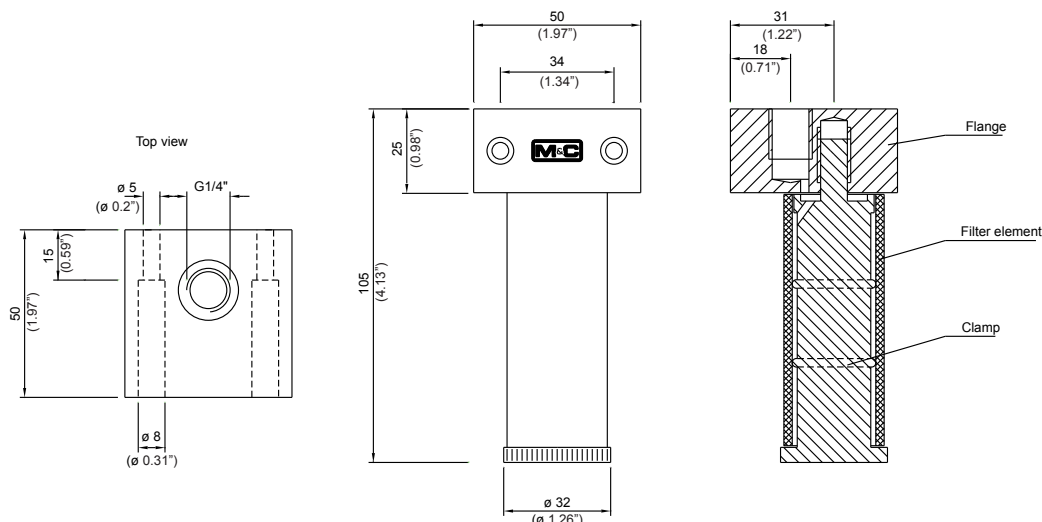
### Description

The variable design of the M&C ambient air filters SP52/SP53 allows a perfect adaptation to local conditions. Filter body and filter element are available in various materials and filter porosities.

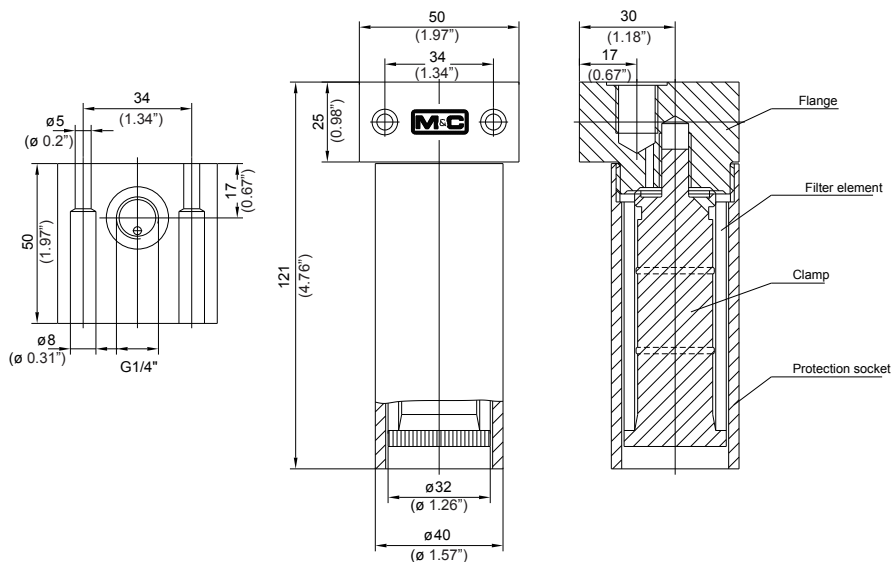
The open design allows the degree of filter contamination to be viewed at all times and ensures straightforward filter change without having to use tools.

Wall-mounting is carried out by means of 2 screws in the filter flange. The acrylic glass protective sleeve on version SP53 serves as splash water protection.

Ambient air suction filter SP52



Ambient air suction filter with splash-proof sleeve SP53



Dimensions in mm (inch)

Technical Data

Filter Type	SP52-PP-2GF	SP52-PV-2GF	SP52-T-2GF	SP52-A/A-2GF	SP52-SS-20T	SP53-PP-2GF	SP53-T-2GF
Part No.	04S1000	04S1100	04S3000	04S2000	04S4000	04S6000	04S6100
Protect. sleeve						Acrylic glass	
Filter element	F-2GF, 2 µm glass fiber				F-20T, 20 µm PTFE	F-2GF, 2 µm glass fiber	
Flange	PP	PVDF	PTFE	Al. anodized	Stainless steel 316Ti	PP	PTFE
Clamp	PP	PVDF	PTFE	Al. anodized	Stainless steel 316Ti	PP	PTFE
Temperature, max.	60 °C [140 °F]	80 °C [176 °F]	100 °C [212 °F]	180 °C [356 °F]	160 °C [320 °F]	60 °C [140 °F]	100 °C [212 °F]
Flow, max.	500 l/h [≈ 8.3 l/min]						
Diff. Pressure	35 mbar				55 mbar	35 mbar	
Connection	1 x G 1/4" i DIN ISO 228/1						
Dimensions (W x H x D)	50 x 50 x 105 mm [≈ 2.0" x 2.0" x 4.1"]					50 x 50 x 121 mm [≈ 2.0" x 2.0" x 4.8"]	
Weight	100 g [≈ 0.2 lb]	200 g [≈ 0.4 lb]	220 g [≈ 0.5 lb]	280 g [≈ 0.6 lb]	800 g [≈ 1.8 lb]	130 g [≈ 0.3 lb]	250 g [≈ 0.5 lb]

Other materials or filter porosities upon request.