



T6-H1

Electrically Heated Connectors

Series T...-H1, V...-H1

Versions T6-H1, T8-H1: Tee union tube connector, electrically heated to 180 °C;

Versions V6-H1, V8-H1: Straight tube connector, electrically heated to 180 °C

Special Features

- Electrically heated up to max. 180 °C [356 °F]
- Regulated constant temperature
- Integrated temperature control
- No cold bridges
- Consistent connection technique
- Status contact output
- Maintenance-friendly design

Application

In analytical technology, temperatures must often be maintained above the sample gas dew point. Therefore, it is absolutely necessary to avoid cold bridges.

In order to ensure this, the temperature-controlled M&C tube/hose connectors T...H1 and V...H1 are used to connect the heated sample lines type 3/4/5-N/M/H up to 180 °C [356 °F] operating temperature.

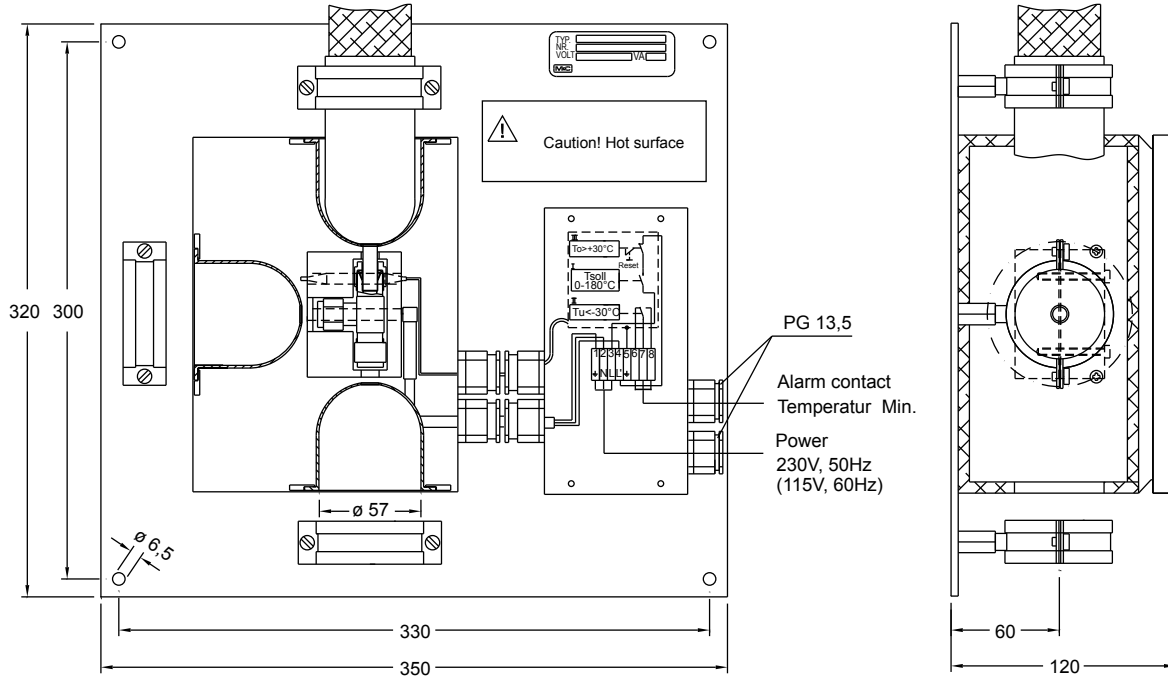
Description

The M&C tube/hose connectors T...H1 and V...H1 are fixed to a mounting plate in a heat-insulated protective housing with thermal decoupling.

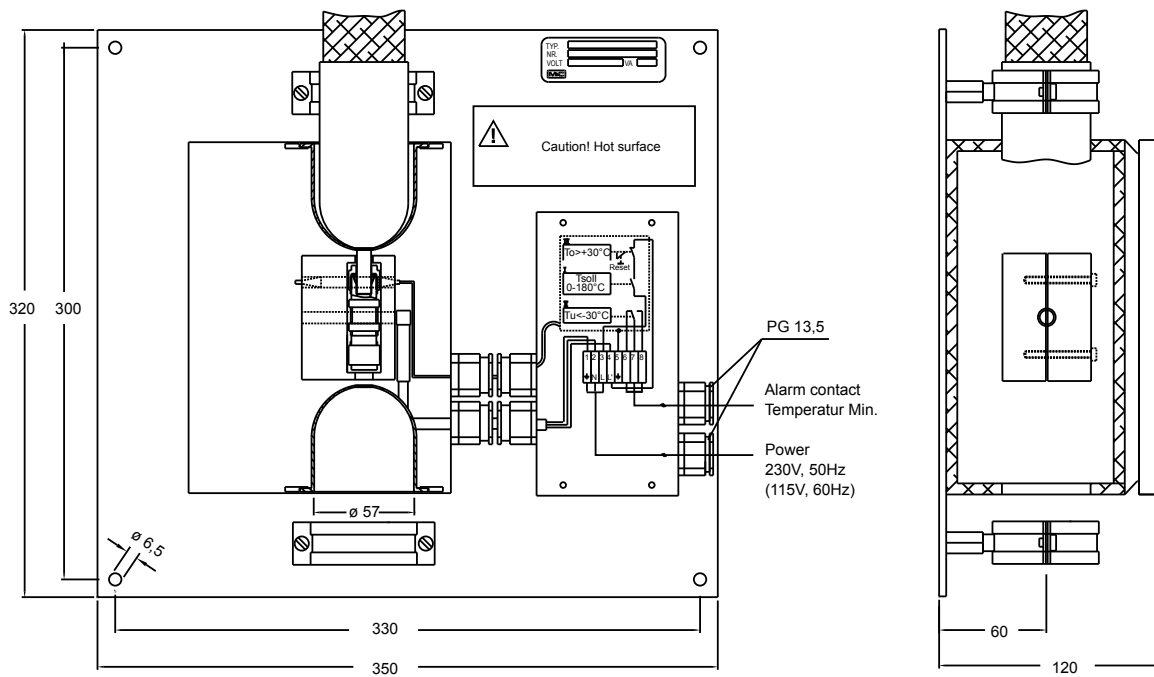
Heating is provided by a high-performance heating element. The control temperature can be adjusted up to 180 °C [356 °F] on the integrated control thermostat with high-temperature limiter and low-temperature alarm contact. The electrical junction box with integrated thermostat for heating is located outside the heated housing.

The openings in the thermally insulated protective housing for connecting the heated lines are sealed with temperature-resistant silicone sleeves. To avoid cold bridges, the screw connector is completely heated by means of a two-part heat-conducting jaw. For fixing the electrically heated sample lines 3/4/5-N/M/H (see data sheet "Electrically Heated Sample Lines Type 3/4/5-N/M/H"), mounting brackets are available.

Electrically heated Tee union connector version T6-H1/T8-H1



Electrically heated, straight tube connector version V6-H1/V8-H1



Dimensions in mm

Technical Data



	T6-H1	T8-H1	V6-H1	V8-H1
Part No.	10B1001 (a)**	10B1101 (a)**	10B1011 (a)**	10B1111 (a)**
Connector version	Tee union connector	Tee union connector	Straight connector	Straight connector
Connector dimensions	3 x ø 6 mm	3 x ø 8 mm	2 x ø 6 mm	2 x ø 8 mm
Fitting system	Tube connectors made of stainless steel type Swagelok			
Operating pressure	Max. 200 bar			
Operating temperature	Max. +180 °C [356 °F]			
Ambient temperature	-25 to +60 °C [-13 to 140 °F]			
Storage temperature	-25 to +80 °C [-13 to 176 °F]			
Temperature controller	Capillary thermostat with high-temperature limiter and low-temperature alarm integrated in electrical connection box			
Operating temperature	Adjustable from 0 to 180 °C [32 to 356 °F], factory-set at 180 °C [356 °F]			
Low-temperature alarm contact	Alarm point ΔT 30 °C, change-over contact, voltage-free; contact rating 250 V, 3 A~, 0.25 A =			
Power supply	230 V/50 Hz, 100 VA **optionally 115 V/60 Hz (a)			
Electrical connections	Terminals 4 mm ² , 2 x cable gland PG13			
Degree of protection	IP54 EN 60529			
Electrical standard	EN 61010, EN 60519-1			
Dimensions (W x H x D)	350 x 320 x 120 mm [≈ 13.8" x 12.6" x 4.7"]			
Weight	4.5 kg [≈ 9.9 lbs]			
Material of sample-contacting parts	Stainless steel 316Ti			
Type of mounting	Wall-mounting			