

# Humidity & Temperature Transmitter E2228

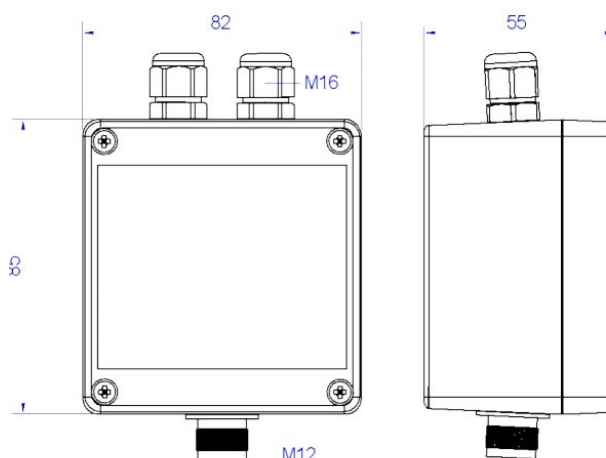


## Features

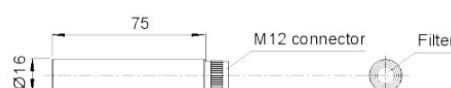
- Excellent repeatability and stability
- Fully calibrated and temperature compensated
- Heavy duty IP65 protected enclosure
- 0-10 V or 4-20 mA switchable analog outputs
- Two relays for thermostat / hygostat functionality
- RS485 Modbus RTU digital interface
- Range of remote probes

## Specifications

Sensor	Digital combined RH and T sensor
Measurement range	0...100 %RH, -40...+85 °C or -40...+125 °C * with heavy duty probe HT-RP16H
Calculated parameters	Dew point, absolute humidity
Resolution	0,1 %RH / 0,1 °C
Accuracy	±2,5 %RH (optionally ±1,8 %RH) ±0,3 °C
Response time	~15 seconds
Self-diagnostics	Full functionality check at start-up
Warm-up time	≤ 1 s
Power supply	11...30 VDC, nominal 12 / 24 VDC, optional inner 90...265 VAC module
Power consumption	< 1,5 VA
Digital interface	RS485, Modbus RTU protocol
Analog outputs	2 × 4-20 mA / 0-10 V, user settable, freely configurable scales
Output relays	2 × SPST relays (closing contact), 250 VAC / 30 VDC, 5 A max
Cable connections	Screwless terminal blocks
Probe connector	Round industrial M12, IP68
Enclosure	Light grey ABS, wall mount, protection class IP65
Dimensions	H85 × W82 × D55 mm
Operating environment	Industrial indoor and outdoor places
Operating conditions	-40...+85 °C, 0...100 %RH
Attached probe -RP16	M12 connector-based, Ø16×L75 mm
Micro-probe -RP04	st. steel Ø4×L50 mm with vent slots, cable 2 m or 5 m, -40...+85 °C
Remote probe -RP16	Grey painted aluminium Ø16×L75 mm, M12 plug, PVC cable 2,5 or 5 m, -40...+85 °C
Remote probe -RP16H	Black painted aluminium Ø16×L75 mm, for harsh environment PTFE cable 2,5 or 5 m, -40...+125 °C



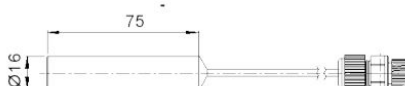
Sensor probe HT-RP16



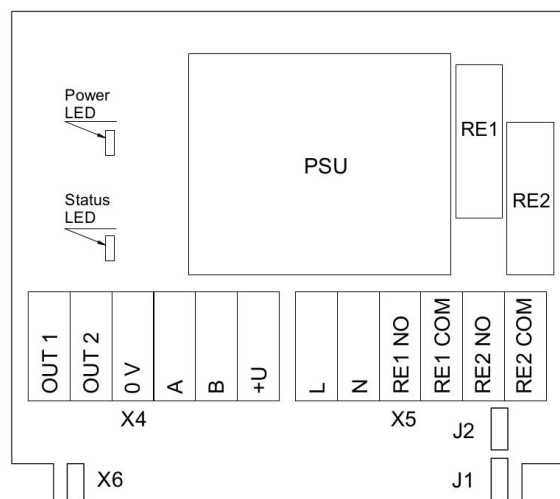
Sensor probe HT-RP04



Sensor probe HT-RP16-H



## Connection diagram



### Jumpers

<b>J1</b>	OUT1 type (open: 4-20 mA; closed 0-10 V)
<b>J2</b>	OUT2 type (open: 4-20 mA; closed 0-10 V)
<b>X6</b>	Reset Modbus network parameters to default

### X4 terminals

<b>OUT1</b>	4-20 mA / 0-10 V output
<b>OUT2</b>	4-20 mA / 0-10 V output
<b>0V</b>	0 V / 24 VAC Neutral (optional)
<b>A</b>	RS485 A / Data +
<b>B</b>	RS485 B / Data -
<b>+U</b>	+24 VDC / 24 VAC Phase (optional)

### X5 terminals (optional)

<b>L</b>	90...265 VAC Phase
<b>N</b>	90...265 VAC Neutral
<b>RE1 NO</b>	Relay 1, normally open terminal
<b>RE1 COM</b>	Relay 1, common terminal
<b>RE2 NO</b>	Relay 2, normally open terminal
<b>RE2 COM</b>	Relay 2, common terminal