

# Low Differential Pressure Transmitter-Regulator E2408-DF

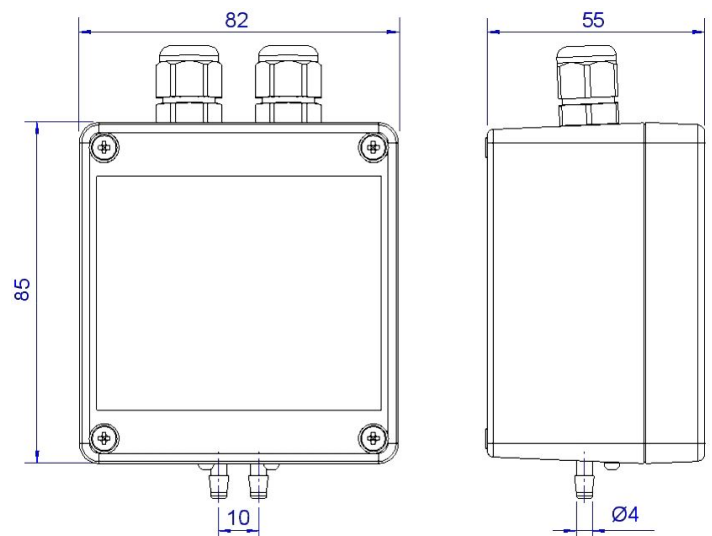

**4-20 mA  
0-10 V**
**RS485  
Modbus**


## Features

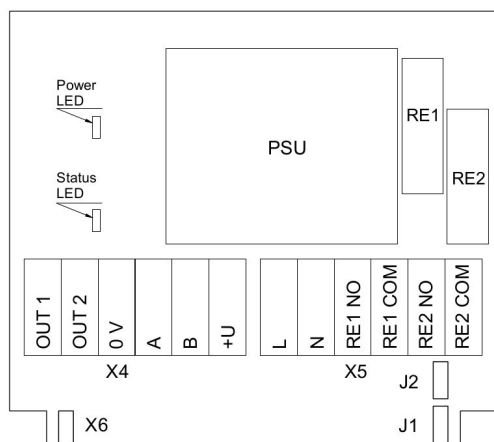
- Ranges from -50...+50 Pa to -500...+500 Pa
- High accuracy, repeatability and zero stability
- Fully calibrated and temperature compensated
- Two configurable SPST output relays
- Two analog outputs settable to 4-20 mA or 0-10 V
- RS485 Modbus RTU digital interface

## Specifications

Measured media	Dry clean air without dust, oil, mist, or aggressive compounds
Range options	E2408-D50 -50...+50 Pa E2408-D500 -500...+500 Pa
Resolution	0,1% of the range
Sensing method	Thermal microflow
Gas flow through sensor	< 0,2 ml / minute / Pa
Zero point accuracy	± 0,2 Pa, stability < 0,1 Pa / year
Span accuracy	±1,5% of reading @ +23°C, 1000 hPa
Temperature effect	< 0,5% of reading per 10°C
Atm. pressure effect	< 0,1 % of reading per hPa
Power supply	11...30 VDC or 90...265 VAC
Power consumption	< 2 W
Digital interface	RS485, Modbus RTU protocol
Analog outputs	2 × 4-20 mA / 0-10 V, user switchable
Analog output scales	Freely adjustable within range
Output relays	2 × SPST relays (closing contact), 250 VAC / 30 VDC, 5 A max
Relay set points	Freely adjustable within range
Enclosure	Light beige ABS plastic, wall mount, protection class IP65
Dimensions	H85 × W82 × D55 mm
Pressure ports	Ø4,0/4,9 mm, for 4/6 mm hose
Operating environment	Business and industrial spaces
Operating conditions	-20...+70 °C, <99 %RH



## Connection diagram



Version with PSU

### Jumpers

<b>J1</b>	OUT1 type (open: 4-20 mA; closed 0-10 V)
<b>J2</b>	OUT2 type (open: 4-20 mA; closed 0-10 V)
<b>X6</b>	Reset Modbus network parameters to default

### X4 terminals

<b>OUT1</b>	4-20 mA / 0-10 V output
<b>OUT2</b>	4-20 mA / 0-10 V output
<b>0V</b>	0 V / 24 VAC Neutral (optional)
<b>A</b>	RS485 A / Data +
<b>B</b>	RS485 B / Data -
<b>+U</b>	+24 VDC / 24 VAC Phase (optional)

### X5 terminals (optional)

<b>L</b>	90...265 VAC Phase
<b>N</b>	90...265 VAC Neutral
<b>RE1 NO</b>	Relay 1, normally open terminal
<b>RE1 COM</b>	Relay 1, common terminal
<b>RE2 NO</b>	Relay 2, normally open terminal
<b>RE2 COM</b>	Relay 2, common terminal