



# Hydrogen Sulfide Detector-Transmitter E2608-H2S



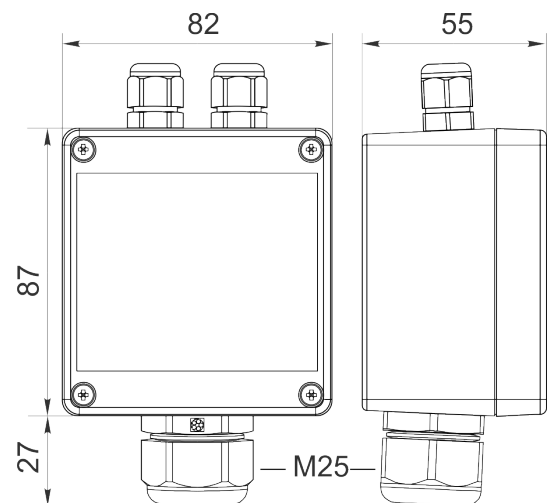
## Features

- Wall-mount or duct-mount version
- Industrial IP65 housing
- Two analog outputs settable to 4-20 mA or 0-10 V
- RS485 Modbus RTU digital interface
- Two relays for alarm / ventilation control
- Attached or remote sensor

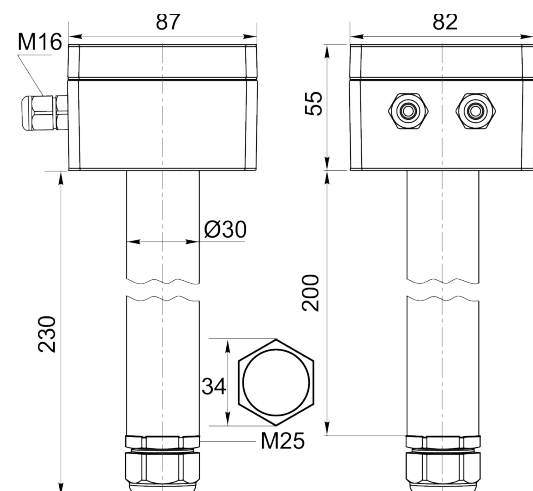
## Specifications

Calibration	Hydrogen sulfide H <sub>2</sub> S	
Sensor type	Electrochemical	
Sampling method	Diffusion	
Typical detection range	0...100 ppm	0...2000 ppm
Maximum overload	500 ppm	4000 ppm
Resolution /digital unit	0.1 ppm	1 ppm
Response time T90	< 30 s	< 25 s
Operating temperature	-30...+50 °C	-40...+50 °C
Signal update	Every 1 second	
Sensor lifetime	> 2 years	
Maintenance interval	6 months	
Self-diagnostics	Full functionality check at start-up	
Warm-up time	≤ 1 min	
Power supply	11...30 VDC (default), 24 VAC or 90...265 VAC as options	
Power consumption	< 2 VA	
Digital interface	RS485, Modbus RTU protocol	
Analog outputs	2 × 4-20 mA / 0-10 V, user settable	
Output scale width	Recommended: 20-100% of the range; > 10 × resolution in any case	
Output relays	2 × SPST relays (closing contact), 250 VAC / 30 VDC, 5 A max	
Default alarm setpoints	For 0...100 ppm range: LOW: set 10; release 8 ppm HIGH: set 20; release 16 ppm for 0...2000 ppm range: determined by user within 5-95% of the range	
Enclosure	Light beige ABS plastic, wall mount, protection class IP65	
Dimensions	H87 × W82 × D55 mm	
Remote sensor probe	Protection IP65, shielded cable default cable length 3.0 m	
Operating environment	Industrial indoor and outdoor locations	
Operating conditions	(operating temperature is specified above) 0.9...1,1 atm 15...90% RH non-condensing Explosion-safe areas Non-aggressive atmosphere <b>NOTE!</b> We offer technical solutions for extreme humidity, please ask for more information.	

### Wall mount version



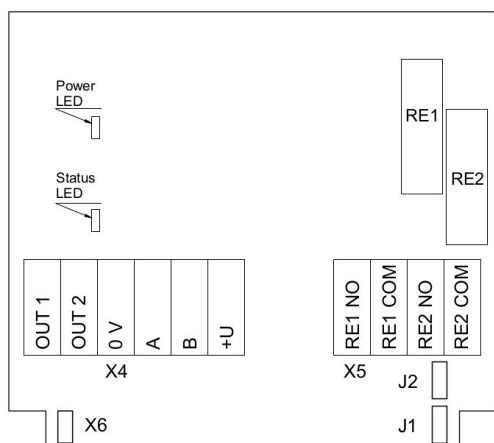
### Duct mount version



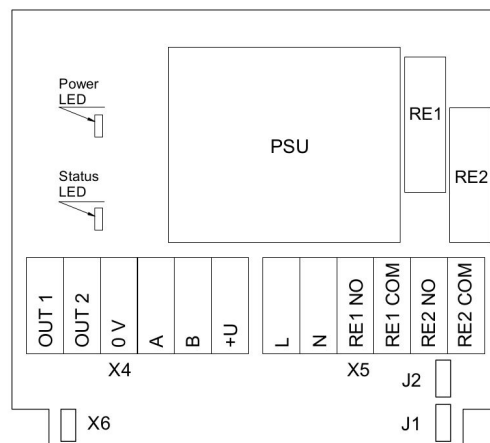
Ask for other versions or custom designed products



## Connection diagrams

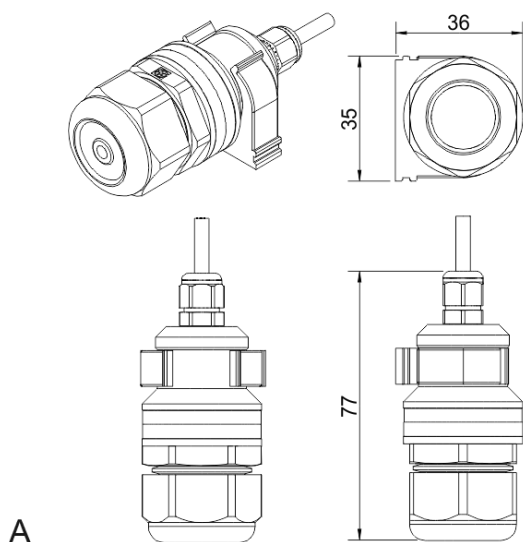


Version without PSU



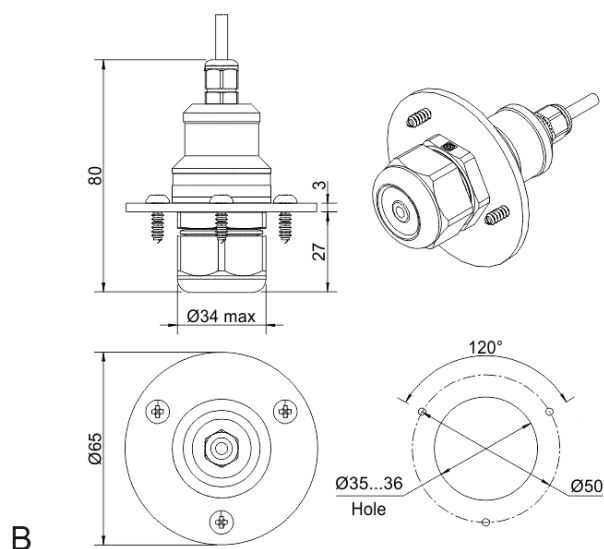
Version with PSU

## Remote probe



A

Wall mount remote probe with fixing clamp (default version)



B

Remote probe with rubber flange and three self-tapping screws (on request)

