

Oxygen Detector-Transmitter E2608-O2



Features



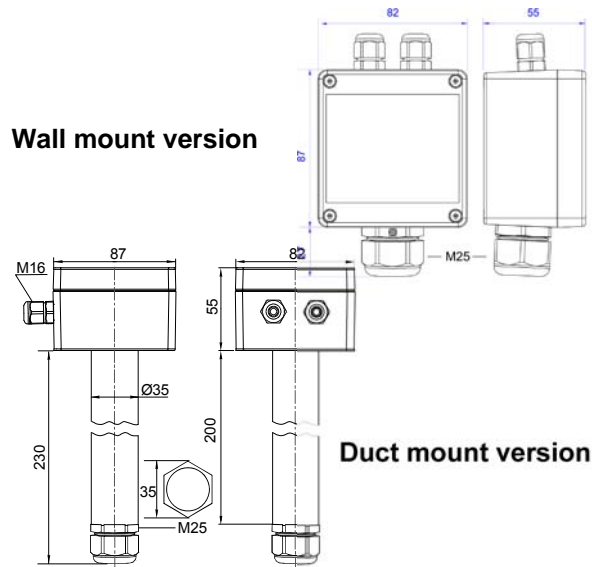
- Wall-mount or duct-mount version
- Industrial IP65 housing
- Two relays for alarm / ventilation control
- Two analog outputs settable to 4-20 mA or 0-10 V
- RS485 Modbus RTU digital interface
- Attached or remote sensor

Specifications

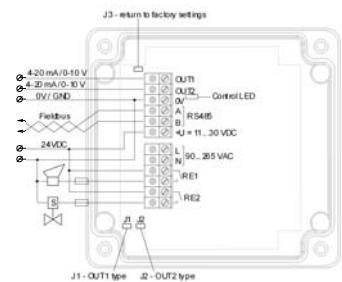
Calibration	Oxygen O ₂
Sensing method	long-life electrochemical cell
Sampling method	diffusion
Detection range	0...25 %vol O ₂
Resolution	0.01 %vol O ₂
Non-linearity	< 0.2 %vol O ₂
Signal update	every 1 second
Response time	< 20 seconds
Maintenance interval	6 months
Sensor lifetime	> 2 years
Self-diagnostics	full functionality check at start-up
Warm-up time	≤ 1 min
Power supply	11...30 VDC or 90...265 VAC
Power consumption	< 2 VA
Digital interface	RS485, Modbus RTU protocol
Analog outputs	2 × 4-20 mA / 0-10 V, user settable
Output relays	2 × SPST relays (closing contact), 250 VAC / 30 VDC, 5 A max
Default alarm set-points	I (HIGH): set 19.5, release 20.5 % II (LOW): set 18.0 release 19.0 %vol
Enclosure	light grey ABS plastic, wall mount, protection class IP65
Dimensions	H85 × W82 × D55 mm
Remote sensor probe	protection IP65, shielded cable default cable length 3.0 m
Operating environment	industrial indoor and outdoor locations
Operating conditions	-30...+50 °C, 15...90%RH; atmospheric pressure ±10%; non ATEX rated speces; non-aggressive atmosphere;

NOTE The sensor may exhibit considerable sensitivity to highly oxidising gases (e.g. ozone, chlorine) at high concentrations

Ask for other versions or custom designed products



Connection diagram



Remote probe

