



# Solvent Vapor Detector-Transmitter E2608-VOC



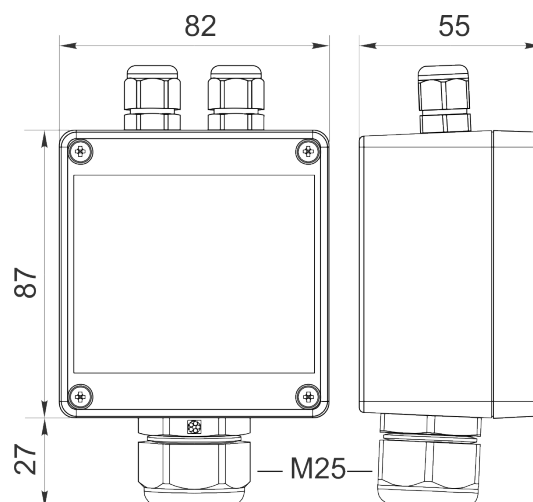
## Features

- Wall-mount or duct-mount version
- Industrial IP65 housing
- Two analog outputs settable to 4-20 mA or 0-10 V
- RS485 Modbus RTU digital interface
- Two relays for alarm / ventilation control
- Attached or remote sensor

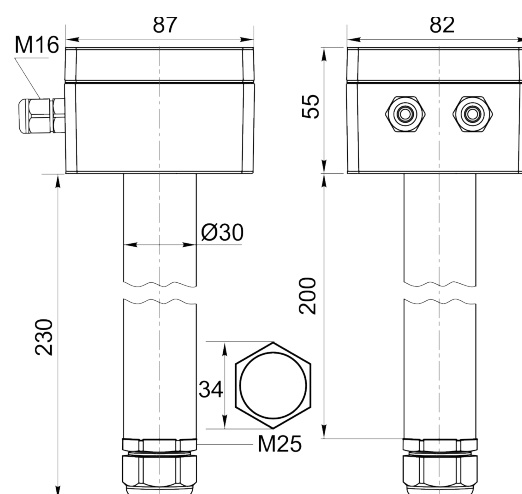
## Specifications

Detected gases	Toluene, xylene, ethanol etc
Default calibration	Toluene
Sensor type	Metal oxide semiconductor
Sampling method	Diffusion
Typical detection ranges	Up to 0...1000 ppm (toxic range) 0...100% LEL (flammable range)
Resolution	1 ppm for toxic ranges 0,1 % LEL for flammable range
Response time	< 120 s
Signal update	Every 1 second
Sensor lifetime	> 5 years
Maintenance interval	12 months
Self-diagnostics	Full functionality check at start-up
Warm-up time	≤ 1 min
Power supply	11...30 VDC (default), 24 VAC or 90...265 VAC as options
Power consumption	< 2 VA
Digital interface	RS485, Modbus RTU protocol
Analog outputs	2 × 4-20 mA / 0-10 V, user settable
Output scale width	Recommended: 20-100% of the range; > 10 × resolution in any case
Output relays	2 × SPST relays (closing contact), 250 VAC / 30 VDC, 5 A max
Default alarm setpoints	LOW: set 100 , release 80 ppm HIGH: set 300, release 240 ppm  LOW: set 20 , release 16 %LEL HIGH: set 50, release 40 %LEL (for flammability range)
Enclosure	Light beige ABS plastic, wall mount, protection class IP65
Dimensions	H87 × W82 × D55 mm
Remote sensor probe	Protection IP65, shielded cable default cable length 3.0 m
Operating environment	Industrial indoor and outdoor locations
Operating conditions	-40...+70 °C; 15...95% RH non-condensing; 0,9...1,1 atm; Explosion-safe areas Normal ambient oxygen level Avoid exposure to corrosive gases or volatile silicone containing products.

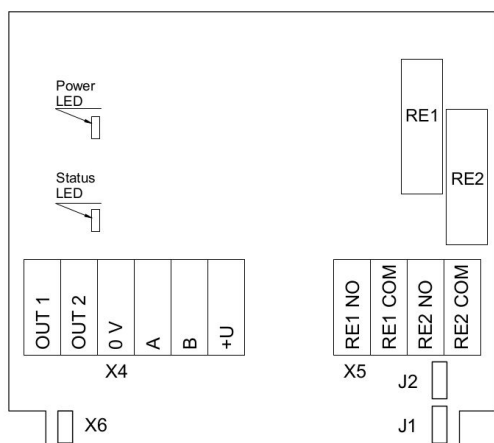
### Wall mount version



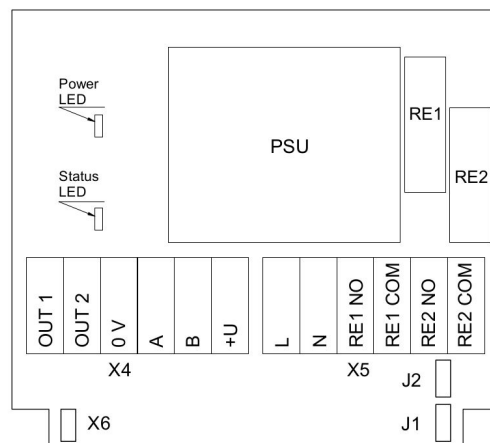
### Duct mount version



## Connection diagrams

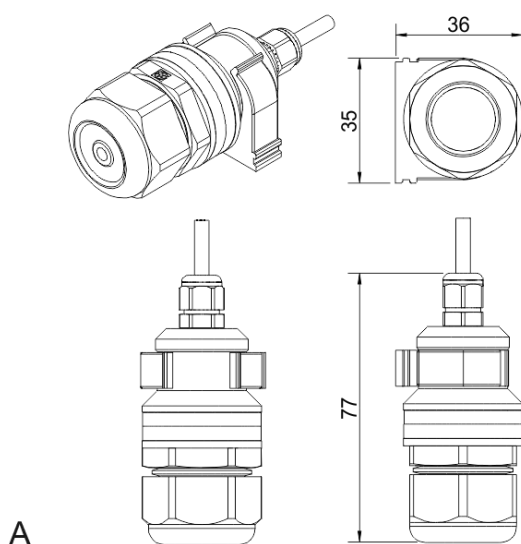


Version without PSU



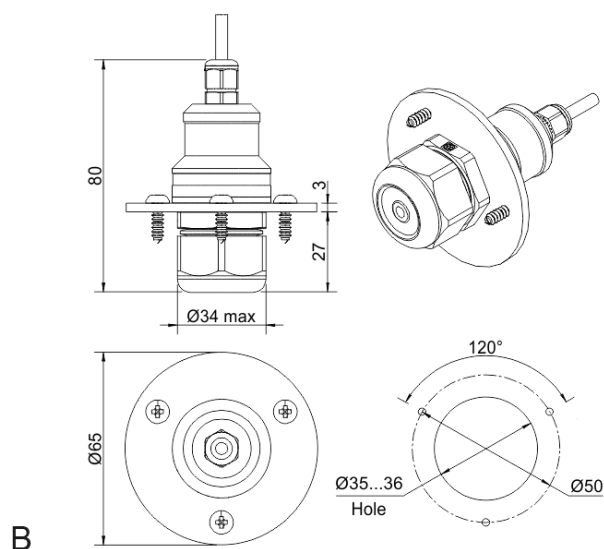
Version with PSU

## Remote probe



A

Wall mount remote probe with fixing clamp (default version)



B

Remote probe with rubber flange and three self-tapping screws (on request)

