



# Nitrogen Dioxide Detector E2630-NO2



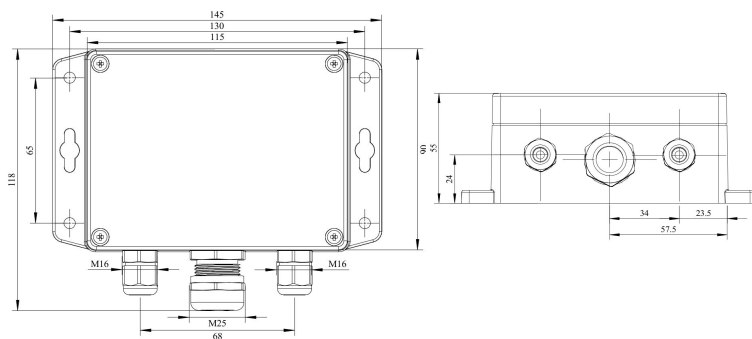
## Features

- Accurate and stable measurement
- Wall-mount IP65 protected housing
- Visual and acoustic alarms
- Two output relays for alarm / ventilation control

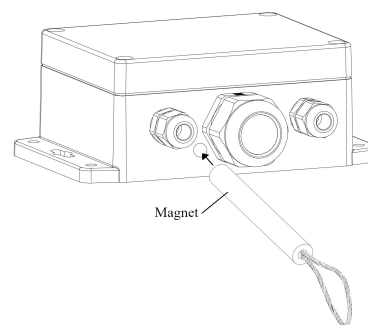
## Specifications

Calibration	Nitrogen dioxide NO <sub>2</sub>
Sensor type	Electrochemical
Sampling method	Diffusion
Typical detection range	0...10 ppm
Response time T90	< 60 s
Signal update	Every 1 second
Sensor lifetime	> 2 years
Maintenance interval	6 months
Self-diagnostics	Full functionality check at start-up, testing by magnetic switch
Warm-up time	≤ 1 min
Power supply	24 VAC/DC or 90...265 VAC
Power consumption	< 2 VA
Digital interface	UART
Output relays	2 relays with switch-over contact (SPDT), 250 VAC / 30 VDC, 5 A max
Default alarm set-points (Release - Low - High)	2-3-6 ppm NO <sub>2</sub>
Alarms	Blinking LED, buzzer 85 dB
Enclosure	Grey ABS plastic, wall mount, protection class IP65
Dimensions	H140 × W145 × D55 mm
Operating conditions	-30...+50 °C 15...90% RH non-condensing; 0,9...1,1 atm; Explosion-safe areas Non-aggressive atmosphere

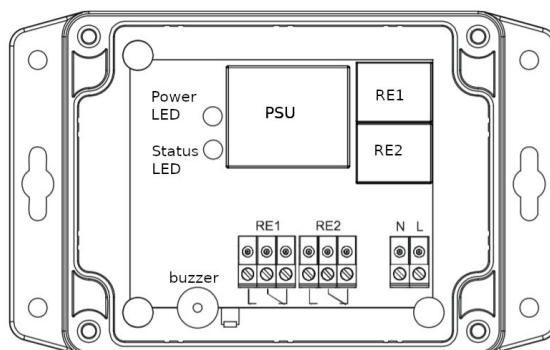
## Dimensions



## Magnet key



## Connection diagram



Ask for other versions or custom designed products

