



Solvent Vapor Detector E2630-VOC



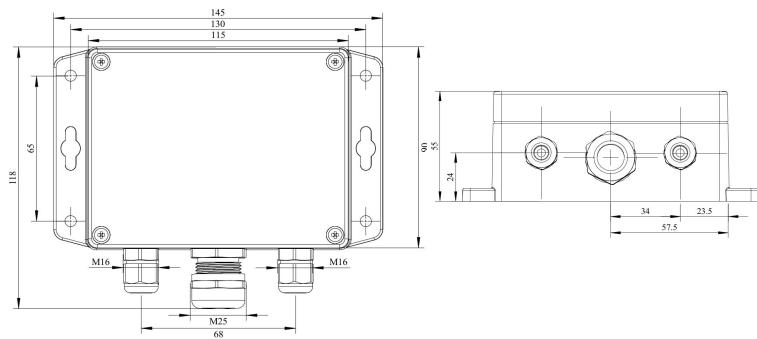
Features

- Toluene, Xylene, Ethanol etc
- Accurate and stable measurement
- Wall-mount IP65 protected housing
- Visual and acoustic alarms
- Two output relays for alarm / ventilation control

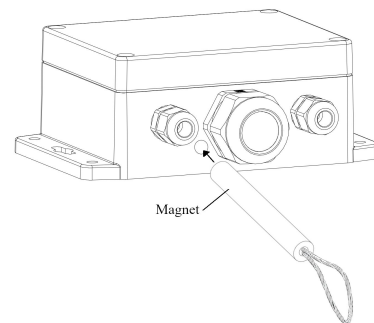
Specifications

Detected vapors	Acetone, Benzene, Ethanol, Ethyl Acetate, Toluene, Xylenes etc
Default calibration	Toluene
Sensor type	Metal oxide semiconductor
Sampling method	Diffusion
Typical detection range	0...100% LEL 0...100 to 1000 ppm
Resolution	0,1 %LEL 1 ppm
Accuracy	± 2 % of the range
Response time	< 120 seconds
Signal update	Every 1 second
Sensor lifetime	> 5 years
Maintenance interval	12 months
Self-diagnostics	Full functionality check at start-up, testing by magnetic switch
Warm-up time	≤ 1 min
Power supply	24 VAC/DC or 90...265 VAC
Power consumption	< 2 VA
Digital interface	UART
Output relays	2 relays with switch-over contact (SPDT), 250 VAC / 30 VDC, 5 A max
Default alarm set-points	Release - LOW - HIGH 7 - 10 - 25 %LEL 70 - 100 - 300 ppm
Alarms	Blinking LED, buzzer 85 dB
Enclosure	Grey ABS plastic, wall mount, protection class IP65
Dimensions	H140 × W145 × D55 mm
Operating conditions	-40...+70 °C <95 %RH; Pressure 0,9...1,1 atm; Non-atex rated spaces; Normal ambient oxygen level; Avoid strong mechanical shock, vibrations or EMI; Avoid exposure to corrosive gases or silicone containing products.

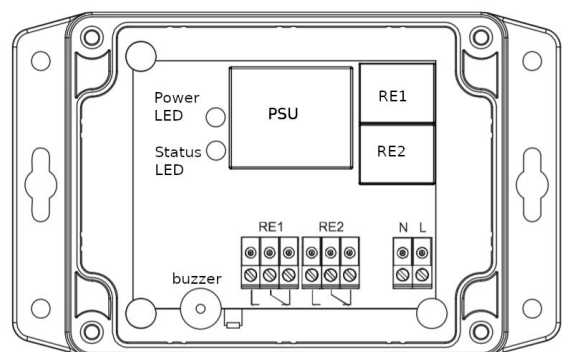
Dimensions



Magnet key



Connection diagram



Ask for other versions or custom designed products

