



# Ammonia Detector-Transmitter

## E2638-NH3-E



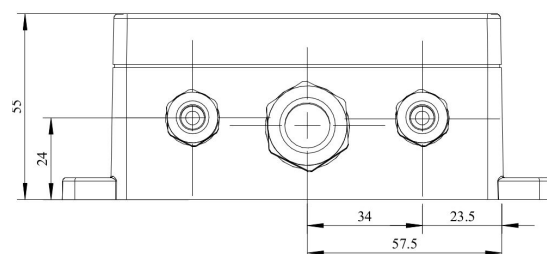
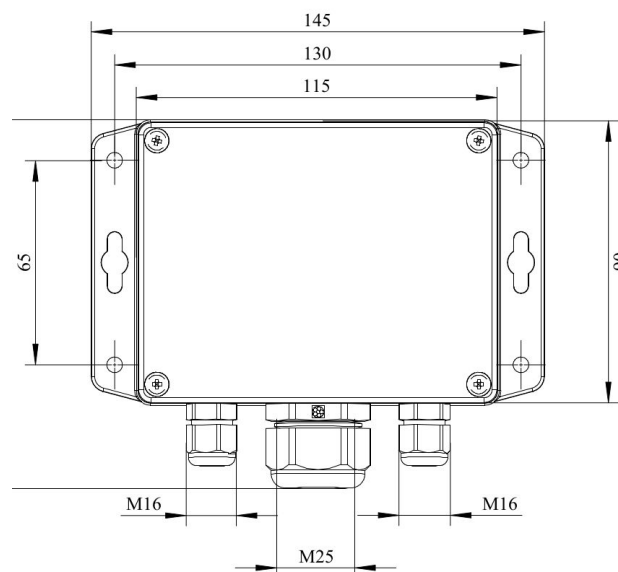
### Features

- Accurate and stable measurement
- Easy to install robust enclosure
- Two analog outputs settable to 4-20 mA or 0-10 V
- RS485 Modbus RTU digital interface
- Relay option
- Attached or remote sensor
- LCD indicator option

### Specifications

Calibration	Ammonia NH <sub>3</sub>		
Sensor type	Electrochemical		
Sampling method	Diffusion		
Typical detection range	0...100 ppm	0...300 ppm	0...1000 ppm
Maximum overload	200 ppm	500 ppm	1500 ppm
Resolution	1 ppm	1 ppm	1 ppm
Response time T90	< 75s		
Signal update	Every 1 second		
Sensor lifetime	> 2 years		
Maintenance interval	6 months		
Self-diagnostics	Full functionality check at start-up		
Warm-up time	≤ 1 min		
Power supply	12...36 VDC (default)		
	24 VAC or 230 VAC as options		
Power consumption	< 2 VA		
Digital interface	RS485, Modbus RTU protocol		
Analog outputs	2 × 4-20 mA / 0-10 V, user settable		
Output scale width	Recommended: 20-100% of the range; > 10 × resolution in any case		
Enclosure	Grey ABS plastic, wall mount, protection class IP65		
Dimensions	H90 × W145 × D50 mm (housing only) H140 with cable glands		
Operating environment	Industrial indoor and outdoor locations		
Operating conditions	-40...+50°C, 15...90 %RH non-condensing; 0,9...1,1 atm; Explosion-safe areas; Non-aggressive atmosphere		
	<b>NOTE!</b> The device is not suitable for areas with constantly high ammonia concentration;		
	<b>NOTE!</b> We offer technical solutions for extreme humidity, please ask for more information.		

### Dimensions



## Additional options

Remote sensor probe	Protection IP65, shielded cable default cable length 3.0 m
Self-test button	Triggers both relays simultaneously; push-button switch
<b>Relay outputs</b>	
Output relays	2 × SPST relays (closing contact), 250 VAC / 30 VDC, 5 A max
Default alarm set-points	For 0...100 ppm range: RE1 (LOW): set 25; release 20 ppm RE2 (HIGH): set 35; release 28 ppm For other ranges: defined by user within 5-95% of the detection range

### Alarm signalling

Visual	Red and green LEDs
Acoustic	Buzzer 85 dB

### LCD indicator

Operating temperature	0...+50 °C
Display dimensions	72 × 36 mm
Number of digits	3.5 digit 7-segment
Character height	14 mm
Other features	Backlight
Protection class	IP50 (both for built-in and remote LCD options)

**NOTE!** Only second analog output (OUT2) is available for a version with LCD.

**NOTE!** LCD and LEDs can not be chosen simultaneously.

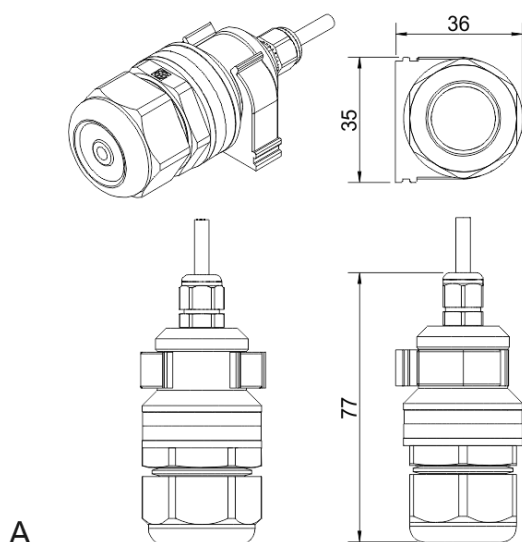
### Version with built-in LCD indicator



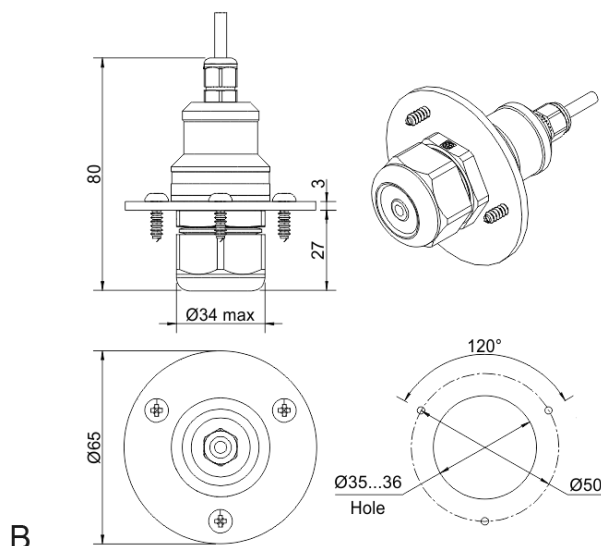
### Version with remote LCD indicator



## Remote probe



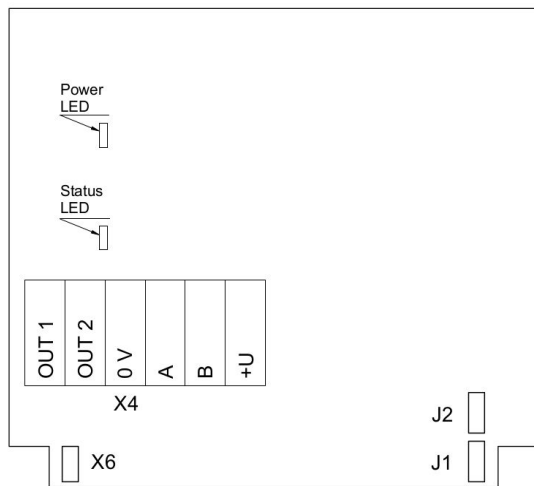
Wall mount remote probe with fixing clamp (default version)



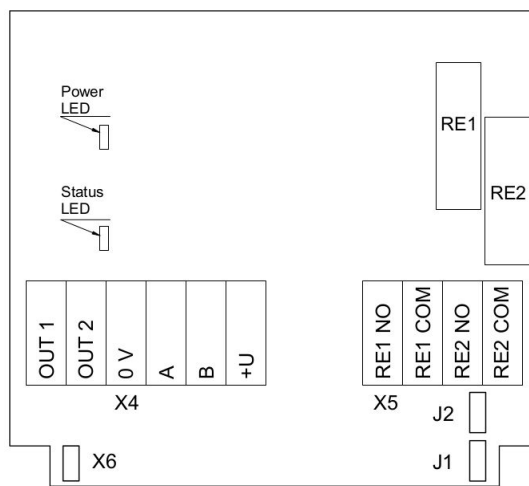
Remote probe with rubber flange and three self-tapping screws (on request)



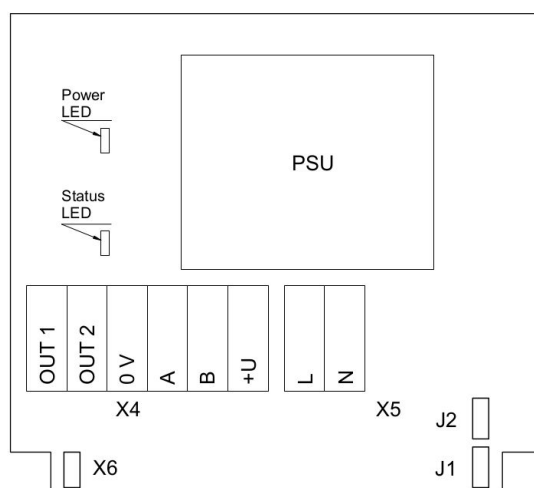
## Connection diagrams



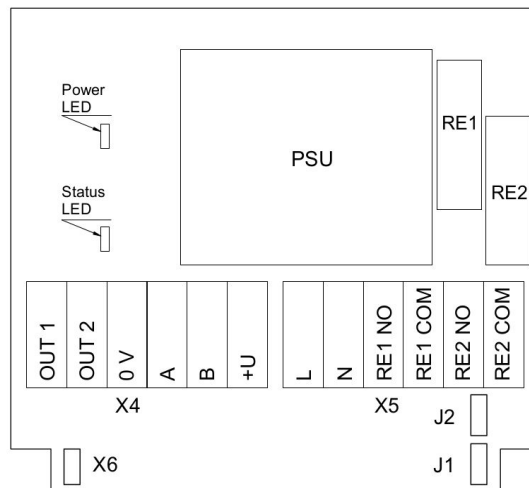
Version without PSU and relays



Version without PSU and with relays



Version with PSU and without relays



Version with PSU and relays

### Jumpers

<b>J1</b>	OUT1 type (open: 4-20 mA; closed 0-10 V)
<b>J2</b>	OUT2 type (open: 4-20 mA; closed 0-10 V)
<b>X6</b>	Reset Modbus network parameters to default
<b>X4 terminals</b>	
<b>OUT1</b>	4-20 mA / 0-10 V output
<b>OUT2</b>	4-20 mA / 0-10 V output
<b>0V</b>	0 V / 24 VAC Neutral (optional)
<b>A</b>	RS485 A / Data +
<b>B</b>	RS485 B / Data -
<b>+U</b>	+24 VDC / 24 VAC Phase (optional)
<b>X5 terminals (optional)</b>	
<b>L</b>	90...265 VAC Phase
<b>N</b>	90...265 VAC Neutral
<b>RE1 NO</b>	Relay 1, normally open terminal
<b>RE1 COM</b>	Relay 1, common terminal
<b>RE2 NO</b>	Relay 2, normally open terminal
<b>RE2 COM</b>	Relay 2, common terminal

