



Oxygen Detector-Transmitter E2608-O2



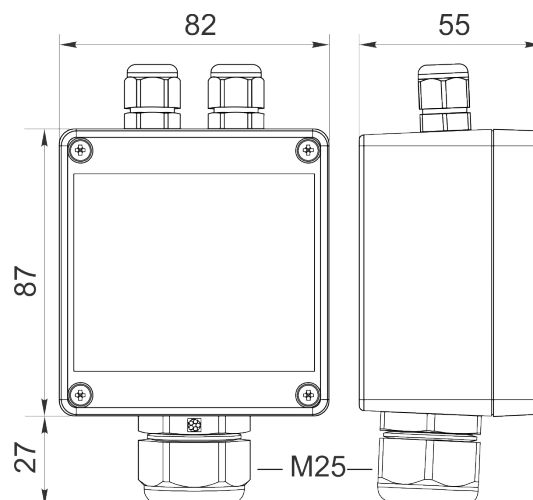
Features

- Wall-mount or duct-mount version
- Industrial IP65 housing
- Two analog outputs settable to 4-20 mA or 0-10 V
- RS485 Modbus RTU digital interface
- Two relays for alarm / ventilation control
- Attached or remote sensor

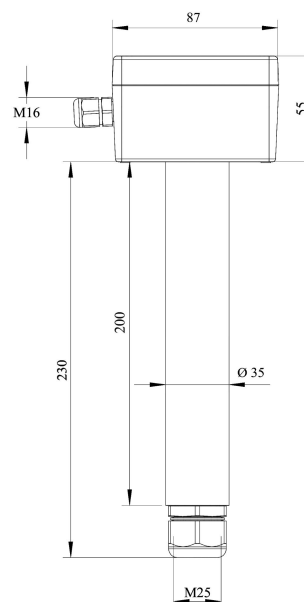
Specifications

Calibration	Oxygen O ₂
Sampling method	Diffusion
Sensor type	2-year Electrochemical 5-year Electrochemical (order code O2-5Y) O2-L (Optical)
Typical detection range	0...25% vol.
Resolution	0,01% vol.
Response time T90	<10 s 30 s (O2-L)
Signal update	Every 1 second
Sensor lifetime	> 2 years > 5 years (for O2-5Y and O2-L)
Maintenance interval	6 months
Self-diagnostics	Full functionality check at start-up
Warm-up time	≤ 1 min
Power supply	11...30 VDC (default), 24 VAC or 90...265 VAC as options
Power consumption	< 2 VA
Digital interface	RS485, Modbus RTU protocol
Analog outputs	2 × 4-20 mA / 0-10 V, user settable
Output scale width	Recommended: 20-100% of the range; > 10 × resolution in any case
Output relays	2 × SPST relays (closing contact), 250 VAC / 30 VDC, 5 A max
Default alarm setpoints	RE1 (HIGH): set 19.5%, release 20.5% RE2 (LOW): set 18%, release 19%
Enclosure	Light beige ABS plastic, wall mount, protection class IP65
Dimensions	H87 × W82 × D55 mm
Remote sensor probe	Protection IP65, shielded cable default cable length 3.0 m
Operating environment	Industrial indoor and outdoor locations
Operating conditions	15...90% RH non-condensing; 0,9...1,1 atm; Explosion-safe areas Non-aggressive atmosphere -30...+50 °C -40...+60 °C (for O2-5Y) +10...+40 °C (for O2-L) NOTE! We offer technical solutions for extreme humidity, please ask for more information.

Wall mount version

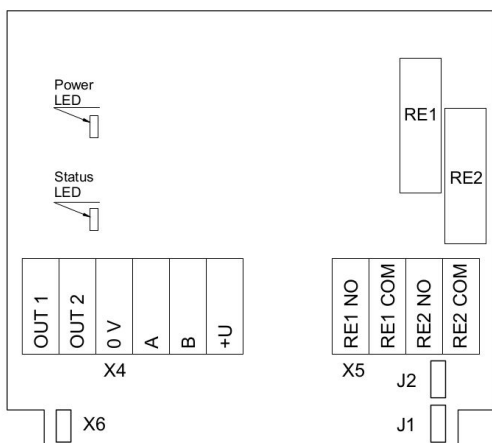


Duct mount version

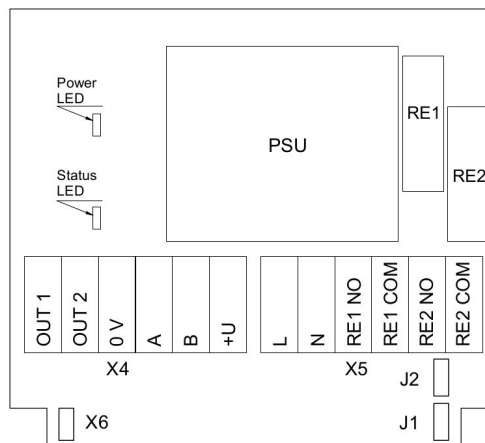


Ask for other versions or custom designed products

Connection diagrams



Version without PSU



Version with PSU

Jumpers

J1	OUT1 type (open: 4-20 mA; closed 0-10 V)
J2	OUT2 type (open: 4-20 mA; closed 0-10 V)
X6	Reset Modbus network parameters to default

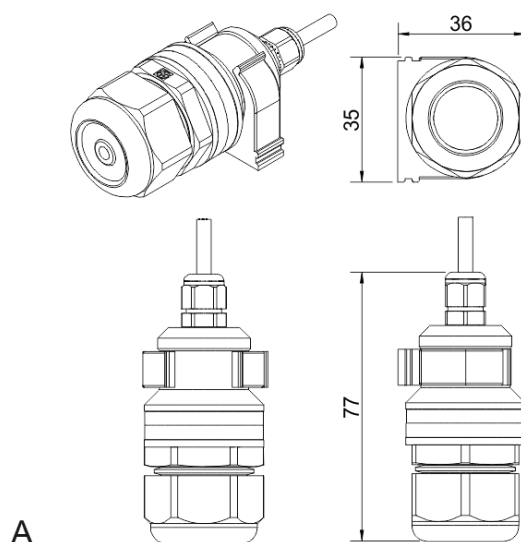
X4 terminals

OUT1	4-20 mA / 0-10 V output
OUT2	4-20 mA / 0-10 V output
0V	0 V / 24 VAC Neutral (optional)
A	RS485 A / Data +
B	RS485 B / Data -
+U	+24 VDC / 24 VAC Phase (optional)

X5 terminals (optional)

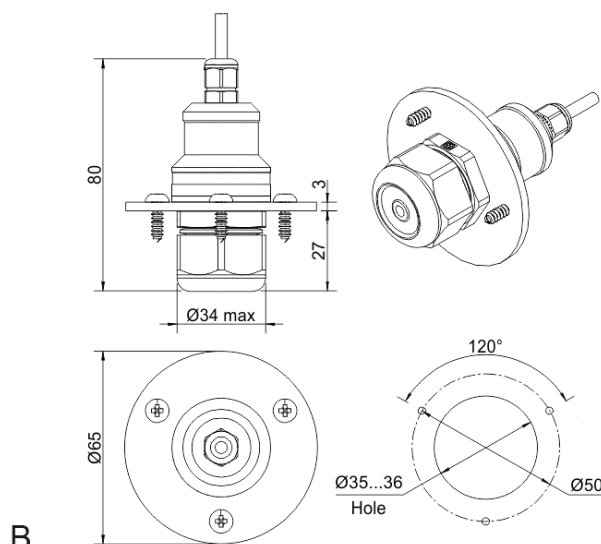
L	90...265 VAC Phase
N	90...265 VAC Neutral
RE1 NO	Relay 1, normally open terminal
RE1 COM	Relay 1, common terminal
RE2 NO	Relay 2, normally open terminal
RE2 COM	Relay 2, common terminal

Remote probe



A

Wall mount remote probe with fixing clamp (default version)



B

Remote probe with rubber flange and three self-tapping screws (on request)

