



# Solvent Vapours Detector-Transmitter E2638-VOC



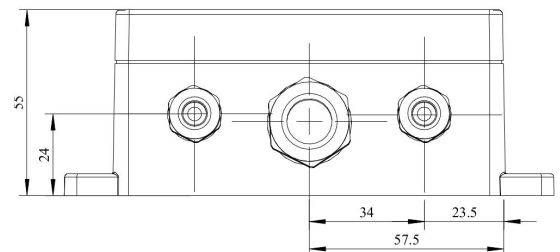
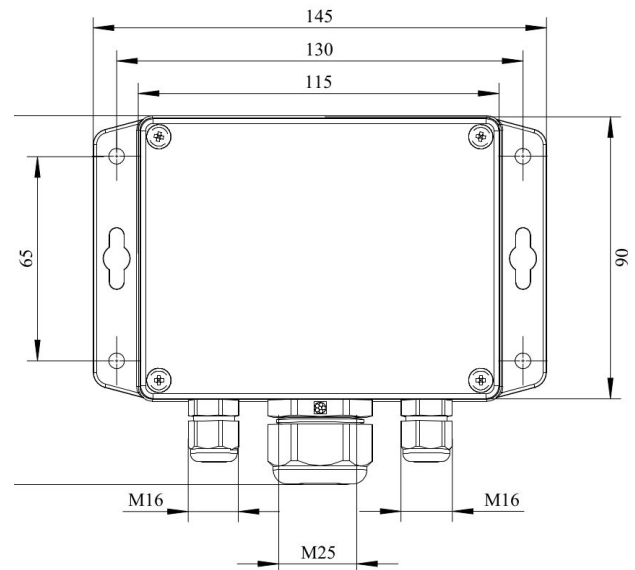
## Features

- Accurate and stable measurement
- Easy to install robust enclosure
- Two analog outputs settable to 4-20 mA or 0-10 V
- RS485 Modbus RTU digital interface
- Relay option
- Attached or remote sensor
- LCD indicator option

## Specifications

Detected gases	Toluene, xylene, ethanol etc
Default calibration	Toluene
Sensor type	Metal oxide semiconductor
Sampling method	Diffusion
Typical detection range	Up to 0...1000 ppm (toxic range) 0...100% LEL (flammable range)
Resolution	1 ppm for toxic ranges 0,1 % LEL for flammable range
Response time T90	< 120 s
Sensor lifetime	> 5 years
Maintenance interval	12 months
Signal update	Every 1 second
Self-diagnostics	Full functionality check at start-up
Warm-up time	≤ 1 min
Power supply	12...36 VDC (default) 24 VAC or 230 VAC as options
Power consumption	< 2 VA
Digital interface	RS485, Modbus RTU protocol
Analog outputs	2 × 4-20 mA / 0-10 V, user settable
Output scale width	Recommended: 20-100% of the range; > 10 × resolution in any case
Enclosure	Grey ABS plastic, wall mount, protection class IP65
Dimensions	H90 × W145 × D55 mm (housing only) H140 with cable glands
Operating environment	Industrial indoor and outdoor locations
Operating conditions	-40...+70 °C; <95% RH non-condensing; 0.9...1,1 atm Explosion-safe areas Normal ambient oxygen level Avoid strong mechanical shock, vibrations or EMI; Avoid exposure to corrosive gases or silicone containing products

## Dimensions



## Additional options

Remote sensor probe	Protection IP65, shielded cable default cable length 3.0 m
Self-test button	Triggers both relays simultaneously; push-button switch

### Relay outputs

Output relays 2 × SPST relays (closing contact),  
250 VAC / 30 VDC, 5 A max

Default alarm set-points  
 LOW: set 100 , release 80 ppm  
 HIGH: set 300, release 240 ppm  
 (for the range 0...1000 ppm)  
 LOW: set 20 , release 16 %LEL  
 HIGH: set 50, release 40 %LEL  
 (for flammability range)

### Alarm signalling

Visual Red and green LEDs

Acoustic Buzzer 85 dB

### LCD indicator

Operating temperature 0...+50 °C

Display dimensions 72 × 36 mm

Number of digits 3.5 7-segment

Character height 14 mm

Other features Backlight

Protection class IP50 (both for built-in and remote LCD options)

**NOTE!** Only second analog output (OUT2) is available for a version with LCD.

**NOTE!** LCD and LEDs can not be chosen simultaneously.

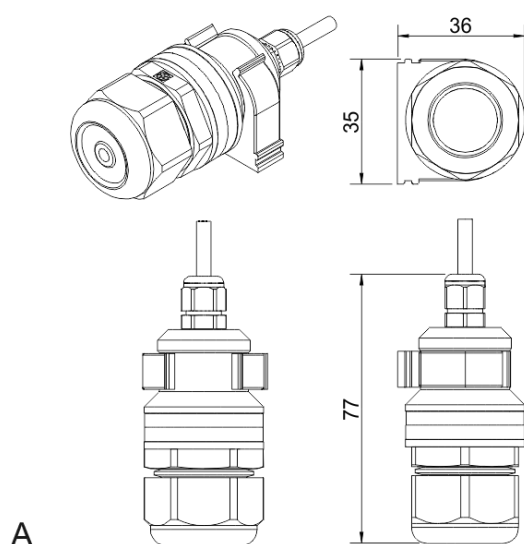
## Version with built-in LCD indicator



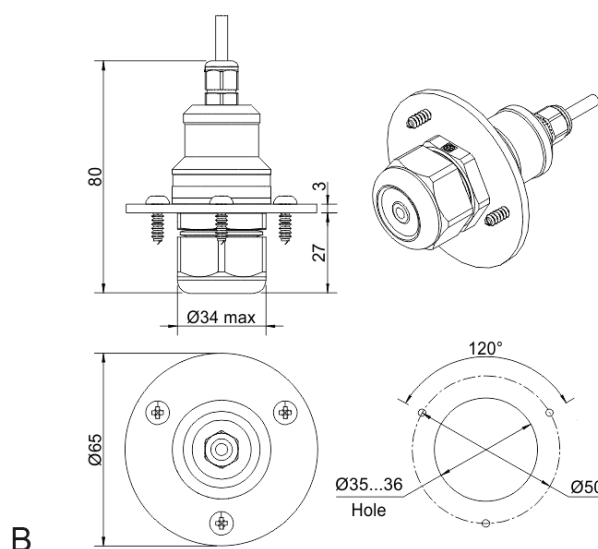
## Version with remote LCD indicator



## Remote probe



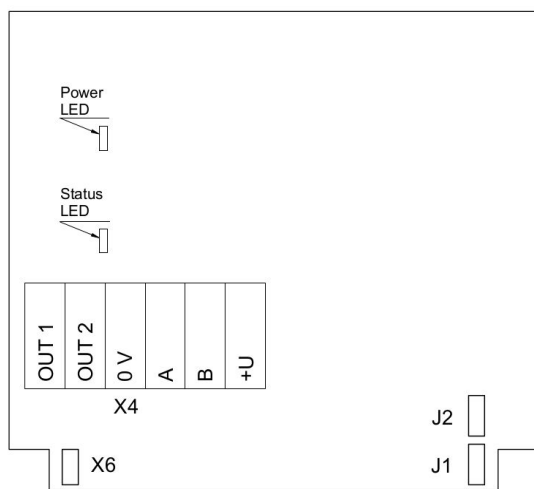
Wall mount remote probe with fixing clamp (default version)



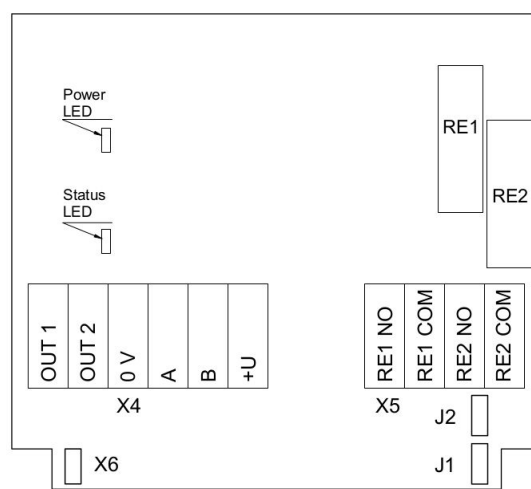
Remote probe with rubber flange and three self-tapping screws (on request)



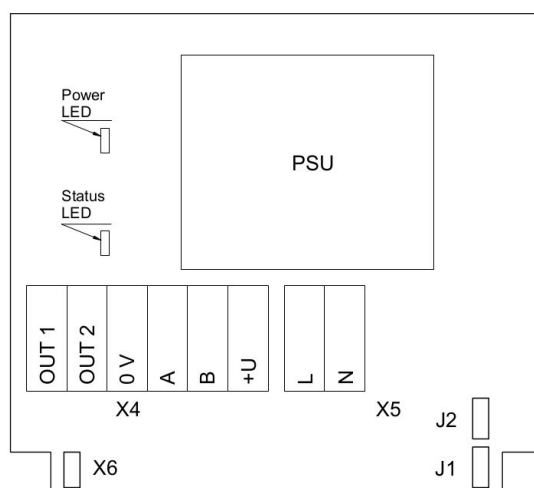
## Connection diagrams



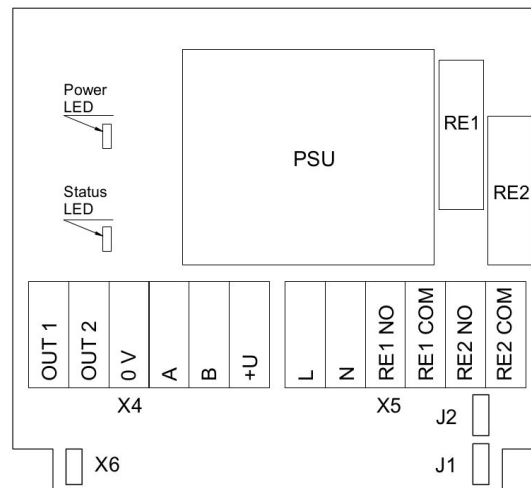
Version without PSU and relays



Version without PSU and with relays



Version with PSU and without relays



Version with PSU and relays

### Jumpers

<b>J1</b>	OUT1 type (open: 4-20 mA; closed 0-10 V)
<b>J2</b>	OUT2 type (open: 4-20 mA; closed 0-10 V)
<b>X6</b>	Reset Modbus network parameters to default
<b>X4 terminals</b>	
<b>OUT1</b>	4-20 mA / 0-10 V output
<b>OUT2</b>	4-20 mA / 0-10 V output
<b>0V</b>	0 V / 24 VAC Neutral (optional)
<b>A</b>	RS485 A / Data +
<b>B</b>	RS485 B / Data -
<b>+U</b>	+24 VDC / 24 VAC Phase (optional)
<b>X5 terminals (optional)</b>	
<b>L</b>	90...265 VAC Phase
<b>N</b>	90...265 VAC Neutral
<b>RE1 NO</b>	Relay 1, normally open terminal
<b>RE1 COM</b>	Relay 1, common terminal
<b>RE2 NO</b>	Relay 2, normally open terminal
<b>RE2 COM</b>	Relay 2, common terminal

