



Dual Gas Detector-Transmitter

E2660R-CO-NO2



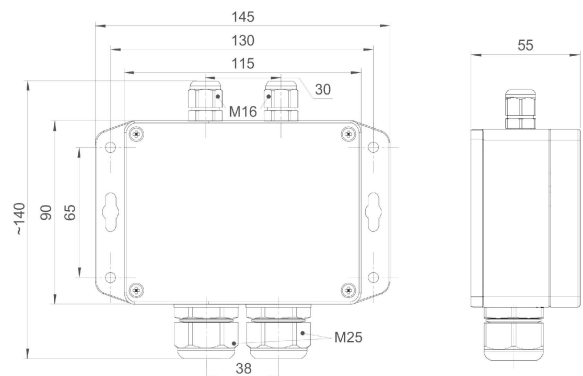
Features

- CO and NO₂ monitoring in underground garages
- Two analog outputs 4-20 mA and 0-10 V
- RS485 Modbus RTU digital interface
- Two SPST relays
- Wall-mount IP65 protected housing

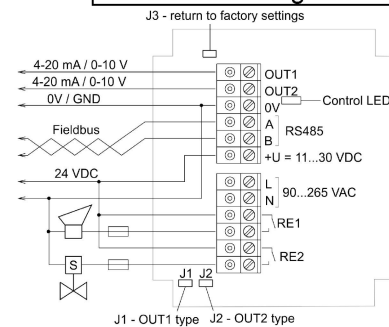
Specifications

	CO	NO ₂
Sensor type	Electrochemical	Electrochemical
Sampling method	Diffusion	Diffusion
Typical detection range	0...1000 ppm	0...20 ppm
Max. overload	2000 ppm	100 ppm
Resolution	1 ppm	0.1 ppm
Response time T90	< 30s	< 40 s
Sensor lifetime	> 6 years	> 2 years
Recalibration interval	6 months	6 months
Alarm setpoints	set 25 ppm release 20 ppm	set 3 ppm release 2.4 ppm
Signal update	every 1 second	
Self-diagnostics	full functionality check at start-up	
Warm-up time	≤ 10 min	
Power supply	11...30 VDC or 90...265 VAC	
Power consumption	< 2 VA	
Digital interface	RS485, Modbus RTU protocol	
Analog outputs	universal 2 × 4-20 mA / 0-10 V	
Analog output scales	user adjustable, independent	
Relay outputs	2 × SPST relays (closing contact), 250 VAC / 30 VDC, 5 A max	
Enclosure	grey ABS plastic, wall mount, protection class IP65	
Dimensions	H90 × W145 × D55 mm	
Remote sensor probe	Protection IP65, default cable length 3.0 m	
Sensor heads	M25	
Operating conditions	-20...+50 °C, 15...90 %RH	

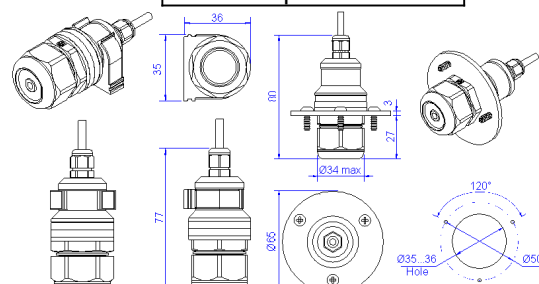
Dimensions



Connection diagram



Remote probe



Ask for other versions or custom designed products