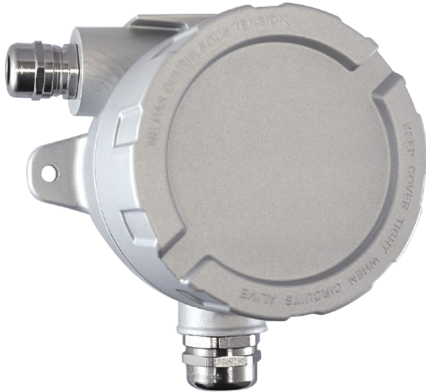


# Flameproof Chlorine Detector-Transmitter E2670-CI2



## Features

- Aluminium pressure die-casting enclosure
- Suitable for ATEX Zones 2 and 22
- Two analog outputs settable to 4-20 mA or 0-10 V
- RS485 Modbus RTU digital interface
- Relay option

## Specifications

Calibration	Chlorine Cl <sub>2</sub>
Sensor type	Electrochemical
Sampling method	Diffusion
Typical detection range	0...10 ppm
Maximum overload	100 ppm
Resolution / digital unit	0.1 ppm
Response time T90	< 60 s
Sensor lifetime	> 1 years
Maintenance interval	6 months
Signal update	Every 1 second
Self-diagnostics	Full functionality check at start-up
Warm-up time	≤ 1 min
Power supply	12...36 VDC (default), 24 VAC or 230 VAC as options
Power consumption	< 2 VA
Digital interface	RS485, Modbus RTU protocol
Analog outputs	2 × 4-20 mA / 0-10 V, user settable
Output scale width	Recommended: 20-100% of the range; > 10 × resolution in any case
Enclosure	Grey die-cast aluminium, wall-mount, protection class IP65
Dimensions	H155 × W145 × D110 mm
Operating environment	Industrial indoor and outdoor locations
Operating conditions	-20...+50 °C, 0.9...1,1 atm 15...90% RH non condensing Explosion-safe areas Non-aggressive atmosphere
	<b>NOTE!</b> We offer technical solutions for extreme humidity, please ask for more information.
<b>Relay option (ordering code R)</b>	
Output relays	2 × SPST relays (closing contact), 250 VAC / 30 VDC, 5 A max
Default alarm setpoints	LOW: set 0.5 ppm, release 0.4 ppm HIGH: set 1 ppm, release 0.8 ppm

## Approvals

### Enclosure:

ATEX / IECEx  
FTZU 03 ATEX 0207U  
IECEX FTZU 12.0017U

II 2 G Ex db IIC Gb  
 II 2 D Ex tb IIIC Db

### Glands:

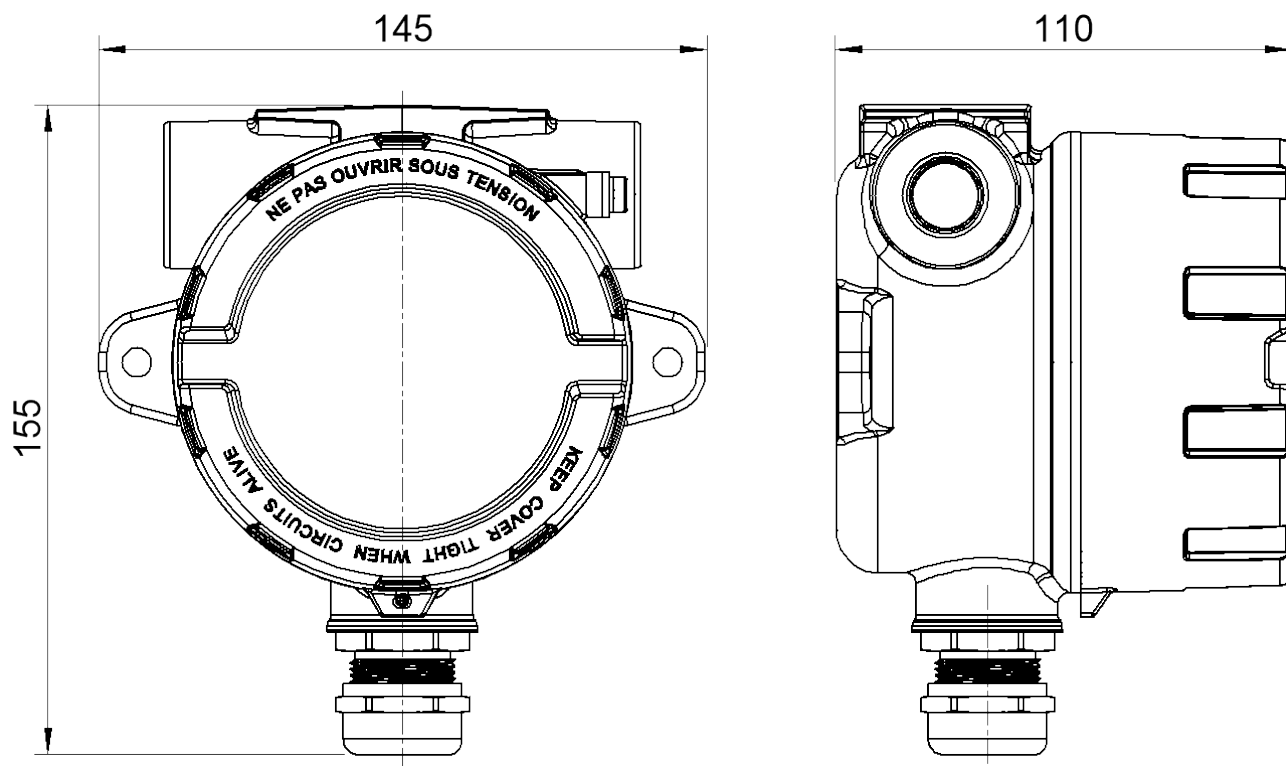
ATEX / IECEx  
EESF 19 ATEX 023X  
 II 2G Ex db IIC Gb  
 II 2D Ex tb IIIC Db IP66

### CE conformity

Flameproof to IEC EN 60079-0, EN 60079-1,  
EN 60079-31  
EMC Emissions to EN 61000-6-3, EN 61326-1  
EMC Immunity to EN 61000-6-1, EN 61000-6-2



## Dimensions



## Mounting holes

