



Flameproof Hydrogen Sulfide Detector-Transmitter E2670-H2S



Features

- Aluminium pressure die-casting enclosure
- Suitable for ATEX Zones 2 and 22
- Two analog outputs settable to 4-20 mA or 0-10 V
- RS485 Modbus RTU digital interface
- Relay option

Specifications

Calibration	Hydrogen sulfide H ₂ S	
Sensor type	Electrochemical	
Sampling method	Diffusion	
Typical detection range	0...100 ppm	0...2000 ppm
Maximum overload	500 ppm	4000 ppm
Resolution / digital unit	1 ppm	1 ppm
Response time T90	< 30 s	< 25 s
Operating temperature	-30...+50 °C	-40...+50 °C
Sensor lifetime	> 2 years	
Maintenance interval	6 months	
Signal update	Every 1 second	
Self-diagnostics	Full functionality check at start-up	
Warm-up time	≤ 1 min	
Power supply	12...36 VDC (default), 24 VAC or 230 VAC as options	
Power consumption	< 2 VA	
Digital interface	RS485, Modbus RTU protocol	
Analog outputs	2 × 4-20 mA / 0-10 V, user settable	
Output scale width	Recommended: 20-100% of the range; > 10 × resolution in any case	
Enclosure	Grey die-cast aluminium, wall-mount, protection class IP65	
Dimensions	H155 × W145 × D110 mm	
Operating environment	Industrial indoor and outdoor locations	
Operating conditions	(operating temperature is specified above) 0.9...1,1 atm 15...90% RH non condensing Explosion-safe areas Non-aggressive atmosphere NOTE! We offer technical solutions for extreme humidity, please ask for more information.	
Relay option (ordering code R)		
Output relays	2 × SPST relays (closing contact), 250 VAC / 30 VDC, 5 A max	
Default alarm setpoints	For 0...100 ppm range: LOW: set 10; release 8 ppm HIGH: set 20; release 16 ppm For 0...2000 ppm range: Determined by user within 5-95% of the range	

Approvals

Enclosure:

ATEX / IECEx
FTZU 03 ATEX 0207U
IECEX FTZU 12.0017U

II 2 G Ex db IIC Gb
 II 2 D Ex tb IIIC Db

Glands:

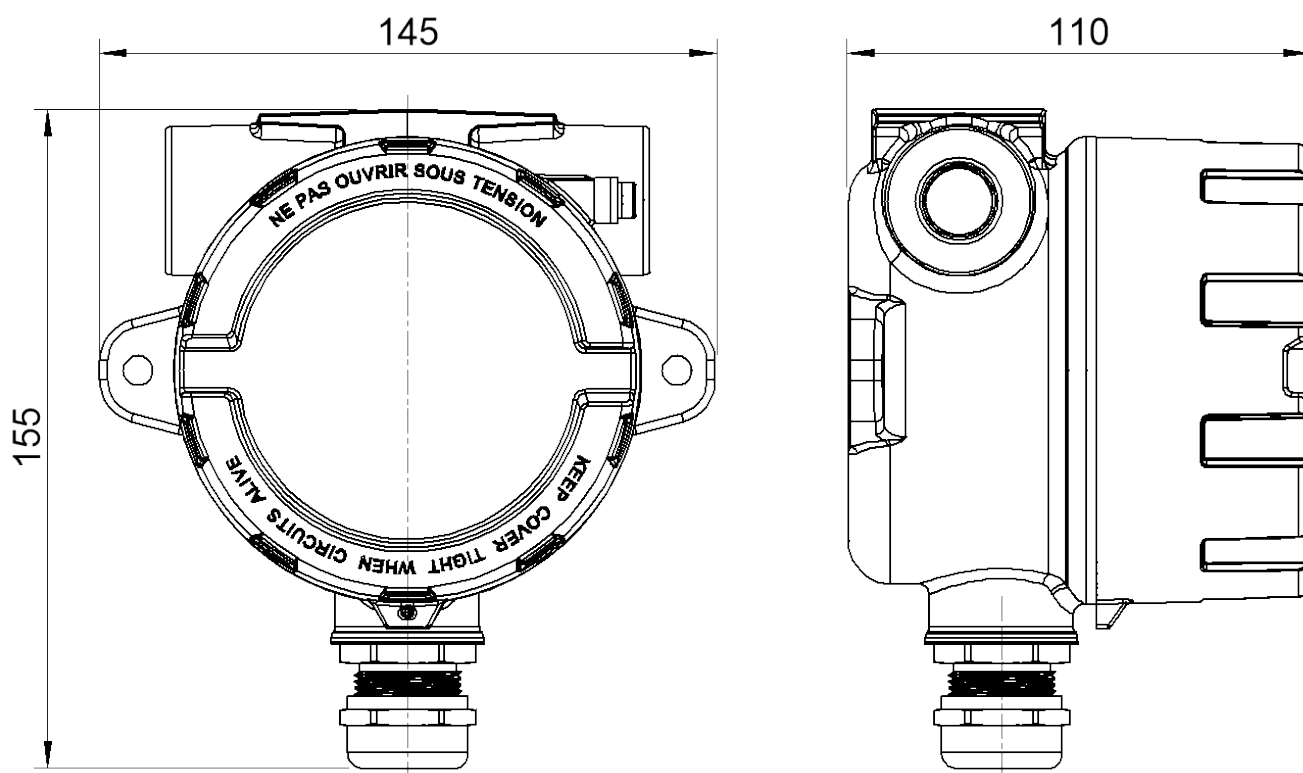
ATEX / IECEx
EESF 19 ATEX 023X
 II 2 G Ex db IIC Gb
 II 2 D Ex tb IIIC Db IP66

CE conformity

Flameproof to IEC EN 60079-0, EN 60079-1,
EN 60079-31
EMC Emissions to EN 61000-6-3, EN 61326-1
EMC Immunity to EN 61000-6-1, EN 61000-6-2



Dimensions



Mounting holes

