



Flameproof Nitrogen Dioxide Detector-Transmitter E2670-NO2



Features

- Aluminium pressure die-casting enclosure
- Suitable for ATEX Zones 2 and 22
- Two analog outputs settable to 4-20 mA or 0-10 V
- RS485 Modbus RTU digital interface
- Relay option

Specifications

| | | |
|---------------------------------------|-------------------------------------------------------------------------------------------------------------------------------------------------------------------------------------------------------------------------------------------------------|--------------|
| Calibration | Nitrogen dioxide NO ₂ | |
| Sensor type | Electrochemical | |
| Sampling method | Diffusion | |
| Typical detection range | 0...20 ppm | 0...200 ppm |
| Maximum overload | 100 ppm | 1000 ppm |
| Resolution / digital unit | 0.1 ppm | 1 ppm |
| Response time T90 | < 60 s | <40 s |
| Operating temperature | -30...+50 °C | -20...+50 °C |
| Sensor lifetime | > 2 years | |
| Maintenance interval | 6 months | |
| Signal update | Every 1 second | |
| Self-diagnostics | Full functionality check at start-up | |
| Warm-up time | ≤ 1 min | |
| Power supply | 12...36 VDC (default), 24 VAC or 230 VAC as options | |
| Power consumption | < 2 VA | |
| Digital interface | RS485, Modbus RTU protocol | |
| Analog outputs | 2 × 4-20 mA / 0-10 V, user settable | |
| Output scale width | Recommended: 20-100% of the range; > 10 × resolution in any case | |
| Enclosure | Grey die-cast aluminium, wall-mount, protection class IP65 | |
| Dimensions | H155 × W145 × D110 mm | |
| Operating environment | Industrial indoor and outdoor locations | |
| Operating conditions | (operating temperature is specified above) 15...90% RH non-condensing; 0,9...1,1 atm; Explosion-safe areas; Non-aggressive atmosphere NOTE! We offer technical solutions for extreme humidity, please ask for more information. | |
| Relay option (ordering code R) | | |
| Output relays | 2 × SPST relays (closing contact), 250 VAC / 30 VDC, 5 A max | |
| Default alarm setpoints | RE1 (LOW): 3 / 2.4 ppm (set / release) RE2 (HIGH): 6 / 4 ppm For 0...200 ppm determined by user within 5-95% of the range | |

Approvals

Enclosure:

ATEX / IECEx
 FTZU 03 ATEX 0207U
 IECEx FTZU 12.0017U



II 2 G Ex db IIC Gb



II 2 D Ex tb IIIC Db

Glands:

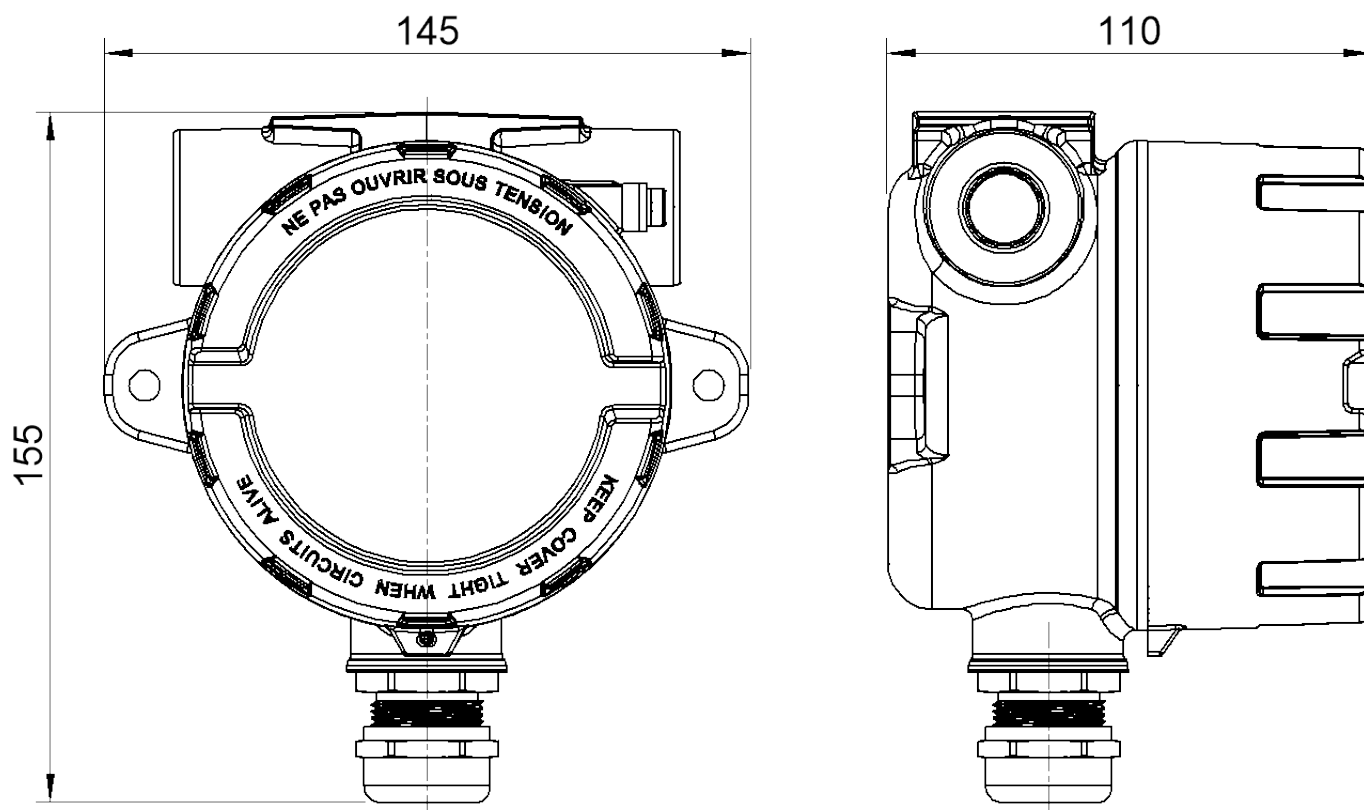
ATEX / IECEx
 EESF 19 ATEX 023X
 II 2G Ex db IIC Gb
 II 2D Ex tb IIIC Db IP66

CE conformity

Flameproof to IEC EN 60079-0, EN 60079-1,
 EN 60079-31
 EMC Emissions to EN 61000-6-3, EN 61326-1
 EMC Immunity to EN 61000-6-1, EN 61000-6-2



Dimensions



Mounting holes

