

Flameproof Oxygen Detector-Transmitter E2670-O2



Features

- Aluminium pressure die-casting enclosure
- Suitable for ATEX Zones 2 and 22
- Two analog outputs settable to 4-20 mA or 0-10 V
- RS485 Modbus RTU digital interface
- Relay option

Specifications

Calibration	Oxygen O ₂
Sampling method	Diffusion
Sensor type	2-year Electrochemical 3-year Electrochemical (order code O2-3Y) 5-year Electrochemical (order code O2-5Y)
Typical detection range	0...25% vol.
Resolution	0,01% vol.
Response time T90	< 10 s
Signal update	Every 1 second
Sensor lifetime	> 2 years > 3 years (for O2-3Y) > 5 years (for O2-5Y)
Maintenance interval	6 months
Self-diagnostics	Full functionality check at start-up
Warm-up time	≤ 1 min ≤ 15 min (O2-5Y)
Power supply	12...36 VDC (default), 24 VAC or 230 VAC as options
Power consumption	< 2 VA
Digital interface	RS485, Modbus RTU protocol
Analog outputs	2 × 4-20 mA / 0-10 V, user settable
Output scale width	Recommended: 20-100% of the range; > 10 × resolution in any case
Enclosure	Grey die-cast aluminium, wall-mount, protection class IP65
Dimensions	H165 × W145 × D110 mm
Operating environment	Industrial indoor and outdoor locations
Operating conditions	15...90% RH; 5...95% RH (O2-3Y); Non-condensing; 0,9...1,1 atm; Explosion-safe areas; Non-aggressive atmosphere -30...+50 °C -40...+60 °C (for O2-5Y) NOTE! We offer technical solutions for extreme humidity, please ask for more information.

Relay option (ordering code R)

Output relays	2 × SPST relays (closing contact), 250 VAC / 30 VDC, 5 A max
Default alarm setpoints	RE1 (HIGH): set 19.5%, release 20.5% RE2 (LOW): set 18%, release 19%

Approvals

Enclosure:

ATEX / IECEx
FTZU 03 ATEX 0207U
IECEX FTZU 12.0017U



II 2 G Ex db IIC Gb
II 2 D Ex tb IIIC Db

Glands:

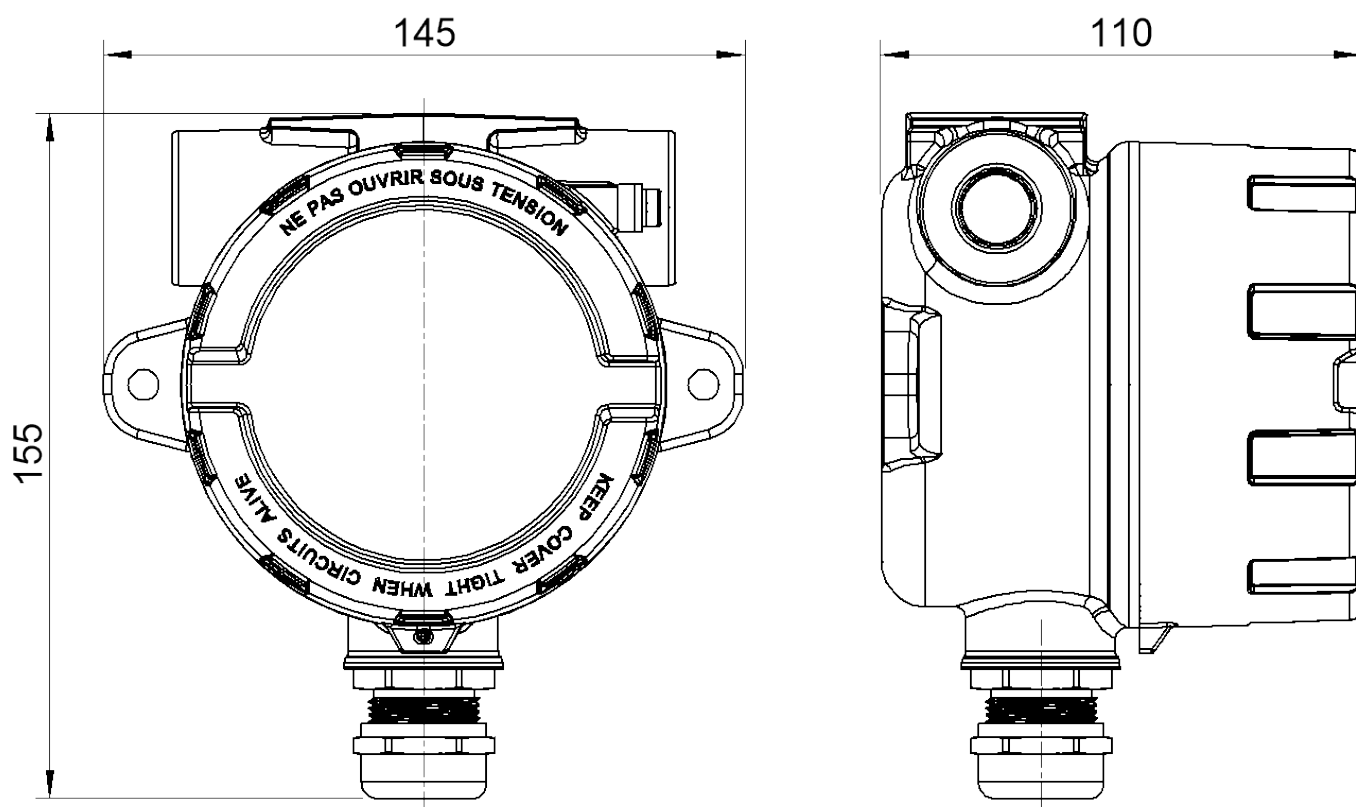
ATEX / IECEx
EESF 19 ATEX 023X
II 2G Ex db IIC Gb
II 2D Ex tb IIIC Db IP66

CE conformity

Flameproof to IEC EN 60079-0, EN 60079-1,
EN 60079-31
EMC Emissions to EN 61000-6-3, EN 61326-1
EMC Immunity to EN 61000-6-1, EN 61000-6-2



Dimensions



Mounting holes

