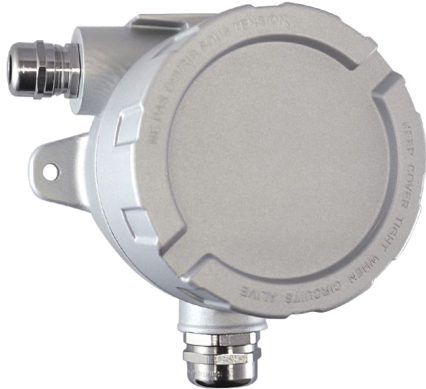




# Flameproof Oxygen Detector-Transmitter E2670-O3



## Features

- Aluminium pressure die-casting enclosure
- Suitable for ATEX Zones 2 and 22
- Two analog outputs settable to 4-20 mA or 0-10 V
- RS485 Modbus RTU digital interface
- Relay option

## Specifications

Calibration	Ozone O <sub>3</sub>	
Sensor type	Electrochemical	
Sampling method	Diffusion	
Typical detection range	0...5 ppm	0...1 ppm
Max. overload	50 ppm	5 ppm
Resolution	0.01 ppm	0.01 ppm
Response time	< 60 s (T80)	≤ 90 s (T90)
Sensor lifetime	> 2 years	> 18 months
Maintenance interval	6 months	12 months
Operating temperature	-40...+50 °C	-20...+40 °C
Signal update	Every 1 second	
Self-diagnostics	Full functionality check at start-up	
Warm-up time	≤ 1 min	
Power supply	12...36 VDC (default), 24 VAC or 230 VAC as options	
Power consumption	< 2 VA	
Digital interface	RS485, Modbus RTU protocol	
Analog outputs	2 × 4-20 mA / 0-10 V, user settable	
Output scale width	Recommended: 20-100% of the range; > 10 × resolution in any case	
Enclosure	Grey die-cast aluminium, wall-mount, protection class IP65	
Dimensions	H155 × W145 × D110 mm	
Operating environment	Industrial indoor and outdoor locations	
Operating conditions	(operating temperature is specified above) 15...90% RH non-condensing; 0,9...1,1 atm; Explosion-safe areas Non-aggressive atmosphere <b>NOTE!</b> We offer technical solutions for extreme humidity, please ask for more information.	

### Relay option (ordering code R)

Output relays	2 × SPST relays (closing contact), 250 VAC / 30 VDC, 5 A max
Default alarm setpoints	RE1 (LOW): set 0.3 ppm, release 0.24 ppm RE2 (HIGH): set 1 ppm, release 0.8 ppm

## Approvals

### Enclosure:

ATEX / IECEx  
FTZU 03 ATEX 0207U  
IECEX FTZU 12.0017U

II 2 G Ex db IIC Gb  
 II 2 D Ex tb IIIC Db

### Glands:

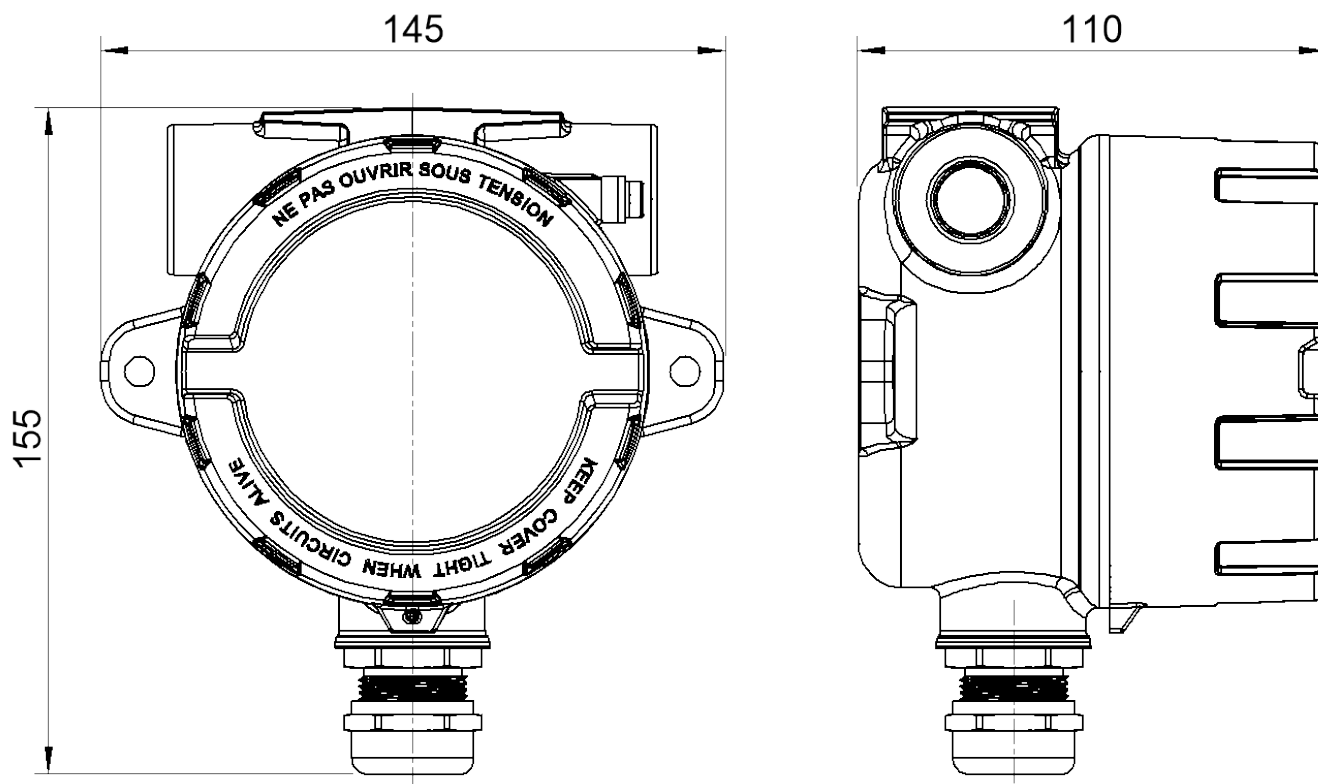
ATEX / IECEx  
EESF 19 ATEX 023X  
 II 2 G Ex db IIC Gb  
 II 2 D Ex tb IIIC Db IP66

### CE conformity

Flameproof to IEC EN 60079-0, EN 60079-1,  
EN 60079-31  
EMC Emissions to EN 61000-6-3, EN 61326-1  
EMC Immunity to EN 61000-6-1, EN 61000-6-2



## Dimensions



## Mounting holes

