



# LED WARNING SIGN WITH HORN TYPE EK30

## FEATURES

- Bright LEDs
- Flashing or continuous light
- Independent programming of LEDs and sounder in different alarm modes
- Options for single or double-sided signs
- Simple installation

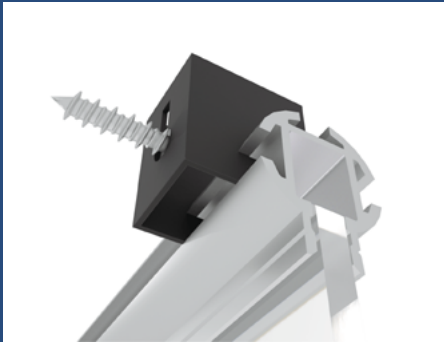




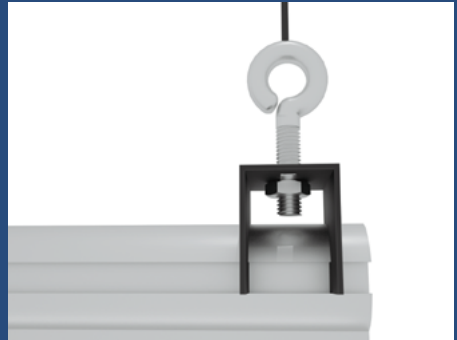
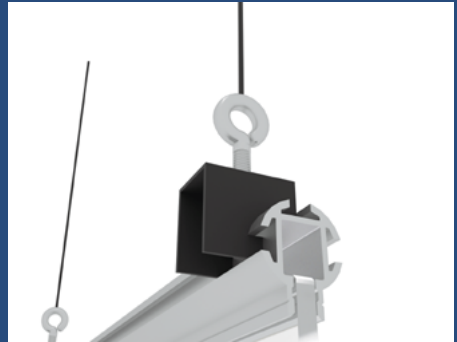
## Specifications

Supply voltage	24 VDC
Power consumption	Max 2 W
Protection class	IP52
LED lifetime	50 000 h
Volume	Ca 92 dB
Weight	400 g
Length	30 cm (standard) 60 cm (custom)
Certifications	CE
Cabling	2 x 0,75 mm <sup>2</sup> , shielded 2 x 2 x 0,75 mm <sup>2</sup> , shielded

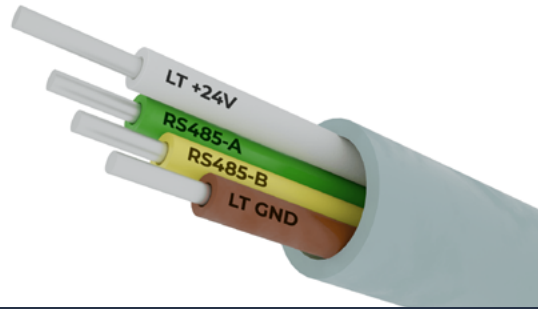
## Wall-mount



## Ceiling-mount



## Cable connection scheme



Wire color	Connection
White	LT +24V
Green	RS485-A
Yellow	RS485-B
Brown	LT GND