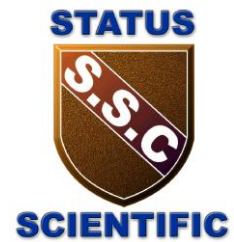


STATUS SCIENTIFIC CONTROLS

PROGRAMMABLE

FIXED SYSTEM FOR GAS AND SAFETY MONITORING AND CONTROL



TECHNICAL DATA SHEET - VISUAL ALARM SS369



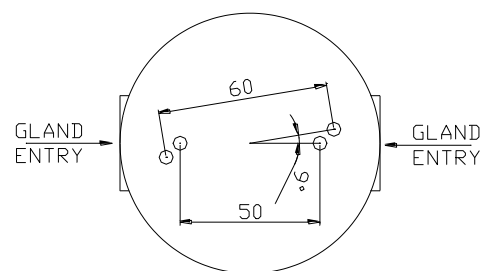
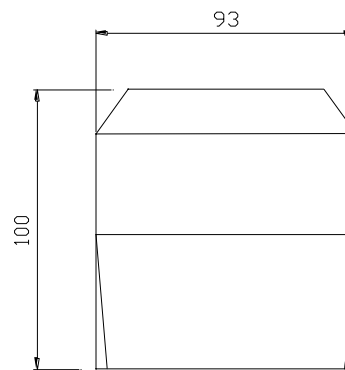
- EYE CATCHING FLASH RATE, 60FPM
- IMPACT RESISTANT POLYCARBONATE RANGE
- WIDE SUPPLY AND OPERATING TEMPERATURE
- THREE COLOURS AVAILABLE
- OPTIONAL LOOP IN / LOOP OUT

ELECTRICAL SPECIFICATION

Voltage Range	20-30Vdc
Supply Current	90mA average
Power Rating	2.1W
Flash Energy Rating	1.0J
Operating Temperature Range	-20°C to +55°C

MECHANICAL SPECIFICATION

Overall Height	100mm
Base Height	48mm
Overall Diameter	93mm
Fixing Holes	5mm Holes max
Fixing Diameters	50mm or 60mm
Gland Entry	2 x 20mm knockouts



ORDERING INFORMATION

Order as Status Stock No. SS369-COLOUR
where colour is RED, AMBER or GREEN

Status Scientific Controls Ltd
Hermitage Lane Industrial Estate
Kings Mill Way, Mansfield
Nottinghamshire NG18 5ER
Tel: (44) 01623 651381 Fax: (44) 01623 427816
Email: sales@status-scientific.com
www.status-scientific.com