



FP-AP

Universal adsorption filter series FP®

Version FP-240-D/F, FP-120-D/F and FP-AP, FT-AP, FS-AP for adsorption material

Special Features

- Chargeable with a variety of adsorption materials
- Easy change of filling materials
- Condition of filling material visible from outside
- Different filter materials
- Wall mounting

Application

In analysis technique M&C FP...-D/F and F.-AP universal filters are used for the adsorption of components which cause interferences.

Description

The M&C FP...-D/F filter for the adsorption of high quantities consists of the FP standard filter head and alternatively a 200 mm glass body for the version F-240G-D/F or a 100 mm glass body for the version F-120G-D/F.

A filter disc separates the upper area for adsorption material from the GL25-6 gas inlet at the bottom of the glass body. The flow direction is vertical from the bottom to the filter head.

For the adsorption of low quantities, the M&C F.-AP filter is recommended. It consists of the FP, FT or FS standard filter head and the screwed in F.-AP cartridge with the adsorption material. The gas enters the cartridge via borings, located at the lower part of the cartridge surface. This ensures a maximum contact time between the gas and the adsorption material. The way gas flows through the adsorption filter avoids condensate droplets to enter the adsorption cartridge.

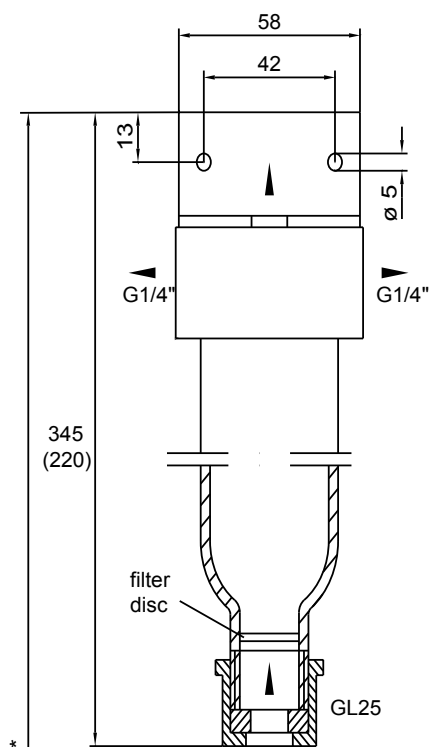
The glass filter body enables the examination of the adsorption material without dismantling the filter housing. No tools are required for changing the adsorption material. The optimal position of the o-ring guarantees the tightness between filter body and filter head.

The filter can be rotated through 180° in the holder for wall mounting. This allows a flexible adaptation of the filter in- and outlet to local conditions.

A particle fine filter should be arranged downstream of the adsorption filter.

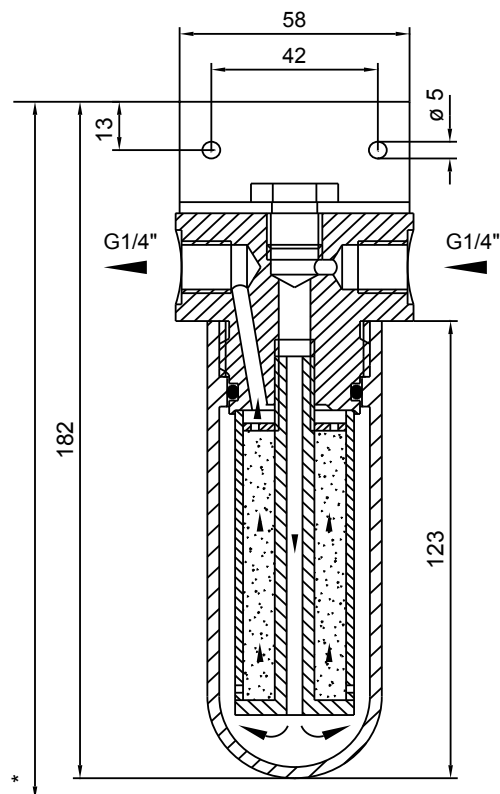
Dimensions

Universal-Filter FP-240(120)-D/F



* constructional size 380 mm at FP-240-D/F
(255) mm at FP-120-D/F

Universal-Filter F.-AP



* constructional size 290

Dimensions in mm

Technical Data

Universal filter	FP-240-D/F	FP-120-D/F	FP-AP	FT-AP	FS-AP
Part number	03F5600	03F5650	03F5000	03F5200	03F5100
Material of medium contacting parts: filter head, cartridge, o-ring, glass body	PVDF, FPM, glass		PVDF, PVC, FPM, glass	PTFE, PVDF, FEP, glass	1.4571, PVC, FPM, glass
Stagnant space	190 cm ³	75 cm ³	65 cm ³		
Operating temperature	-20 to +80 °C		0 to +55 °C	-20 to +80 °C	0 to +55 °C
Storage temperature	-30 to +110 °C		-15 to +65 °C	-30 to +110 °C	-15 to +65 °C
Operating pressure, at 20 °C	max. 2 bar abs.		max. 5 bar abs.		
Operating pressure with GL-adaptor	max. 5 bar abs., at 20 °C				
Method of mounting	wall mounting, position of mounting vertical				
Adsorption material	Standard scope of supply without material				
Connection	GL25-6, G1/4"i		G1/4" i		
Weight	0,5 kg	0,3 kg			0,5 kg

Selection of adsorption material

Adsorption material	components in case of interruption	cross sensitive against
Active charcoal	vapour of solvents or essential oil	SO ₂ , CO ₂ , CL ₂ , NH ₃
Stuttgarter Masse	aerosols	HF
Silica-gel	Wasserdampf	SO ₂ , NH ₃ , HCL, CO ₂ , C ₆ H ₆
Potassium hydroxide	CO ₂	SO ₂ , CL ₂ , H ₂ O
Sodium-calcium	CO ₂	SO ₂ , CL ₂ , H ₂ O
Purafill II	SO ₂ , SO ₃ , NH ₃ , CS ₂ , H ₂ S	C ₂ H ₂ , C ₂ H ₄ , CH ₃ O