



FP®, FT®

Universal Filter Series FP®, FT®

Version FP, FT, FS, FSS

Special Features

- Universal in use
- Modular construction
- High variety of materials
- Deep-acting filter element
- Reliable separation of solids
- Wall mounting
- Easy maintenance

Application

M&C Universal Filters reliably separate solids, in particular extremely fine particles, occurring in analysis techniques in gas filtration, using very fine, deep-acting filter elements. Thanks to their universal design, the filters can also be used as separators (without a filter element), liquid filters or, with adsorption cartridges, as an adsorption filter.

For ambient or medium temperatures up to 180 °C, a stainless steel version FSS or FT-H version can be offered.

Description

The modular construction of the filters and the compatibility of the mounting components – filter head, filter body and filter element – enable the ease of mounting, perfectly adaptable to local mounting situations of each particular process.

Filter elements of various materials and porosities are available. The extent of soiling and filtering condition of the element can be seen from outside, without the filter housing to be opened (except in the case of FSS filters).

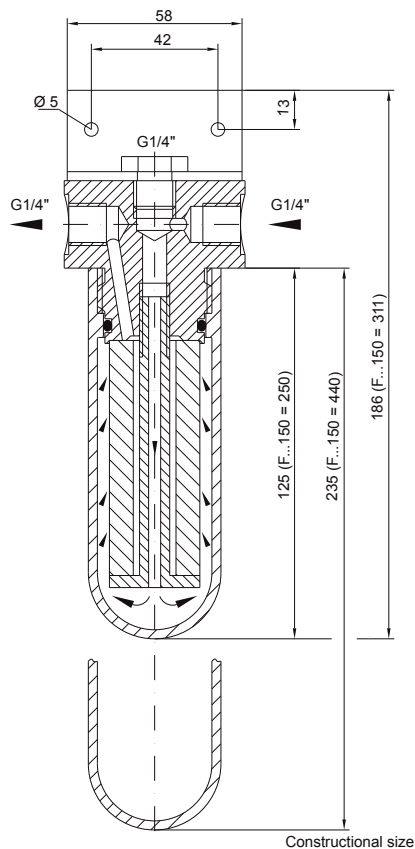
No tools are needed to replace the element and the optimum positioning of the o-ring always ensures that the filter body is reliably sealed with respect to the filter head.

The filters are designed so that only liquid free gas flows through the filter elements when condensation occurs.

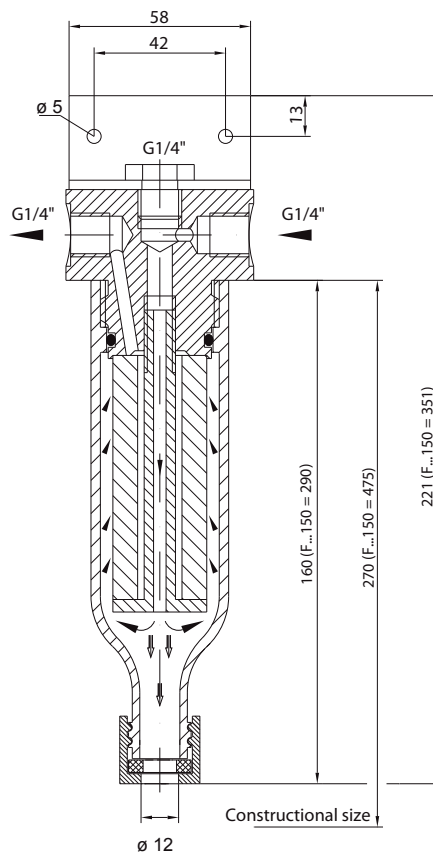
With the F.../D series, a condensate trap or a liquid in- and outlet can be turned 180° on the mounting bracket to achieve ease of mounting and flexible adaptation to local circumstances.

Dimensions

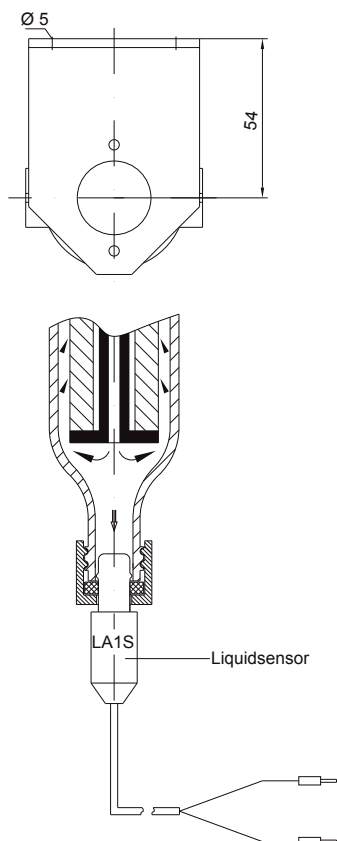
FP, FT, FS, FSS



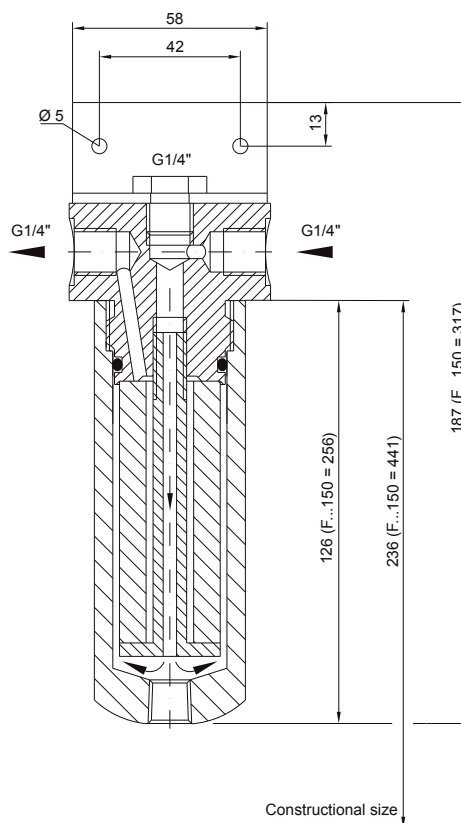
FP-D, FT-D, FS-D



FP-D, FT-D, FS-D with LA1

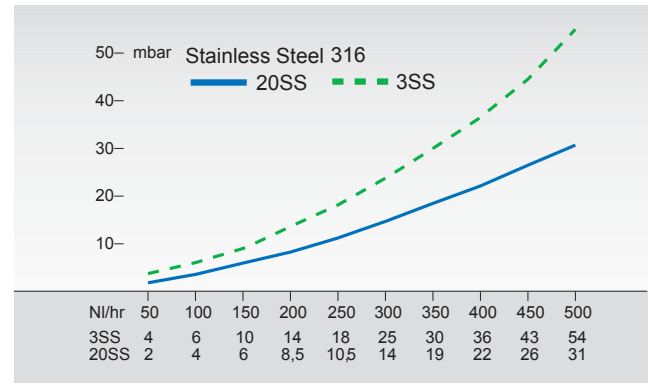
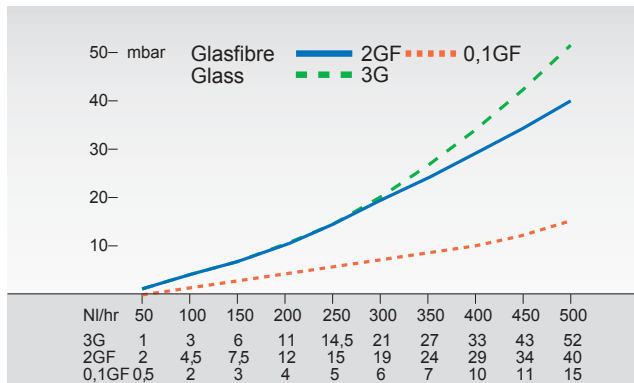
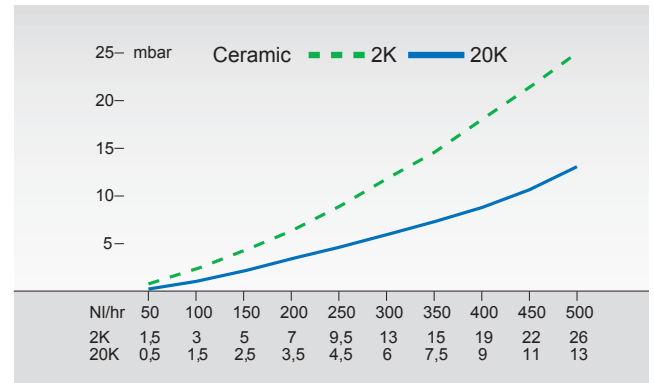
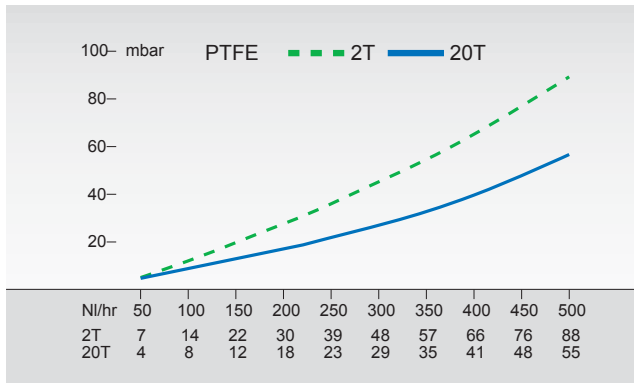


FSS-D



Dimensions in mm

Flow rate in NI/hr air and Differential pressure in mbar with clean filter elements



Technical Data

	FP, FT, FT-H, FS	FP-D, FT-D, FS-D	FSS, FSS-D
Length of filter element	75 mm, Option: F...150 = 150 mm		
Sample connections: Gas inlet/-outlet	3x G1/4i (1x closed) DIN ISO 228/1 FS, FSS, FSS-D: optional NPT		
Condensate connection		GL25 - ø12 mm	FSS-D = G1/4i, optional NPT
Pressure at 20 °C	max. 5 bar abs.	max. 2 bar abs.	250bar*, F...150 = 200 bar*
Pressure with GL-connection adapter		5 bar abs.	
stagnant space	65 cm³, F...150 = 180 cm³	75 cm³, F...150 = 190 cm³	40 cm³, F...150 = 70 cm³
Filter surface	70 cm², F...150 = 140 cm²		
Materials: Filter head	PVDF, PTFE, PTFE-ko, stainless steel 316Ti		stainless steel 316Ti
Filter body	Glass		stainless steel 316Ti
Filter element	PTFE, glass, glass fibre, ceramic, stainless steel, wire cloth stainl. steel		
Seals: O-ring	FP/-D, FT-H, FS/-D = FPM, FT/-D = FEP		FPM
...-D-connection	PTFE/Silikon		
Temperature of ambient or sample max.	80 °C PVDF, 100 °C PTFE, 180 °C PTFE-ko, stainless steel, glass (fibre), ceramics		
Method of mounting	Wall mounting		
Weight approx.	0,4-1,0 / F...150 = 0,5-1,2 kg		1,5 / F...150 = 2,0 kg

* at 180 °C, 50 bar

Universal-Filters

Filter-Elements	Filter head	Filter body	Filter type	Part No.			
				F.-...	F.-...-D		
PTFE F-2T, 2 µm F-20T, 20 µm	universal in use	PVDF	Glass	FP-2T	/-D	01 F 1200	02 F 1000
		PVDF	Glass	FP-20T	/-D	01 F 1400	02 F 1200
		PTFE	Glass	FT-2T	/-D	01 F 2200	02 F 2000
		PTFE	Glass	FT-20T	/-D	01 F 2400	02 F 2200
		stainl. steel 316Ti	Glass	FS-2T	/-D	01 F 4000	02 F 2650
		stainl. steel 316Ti	Glass	FS-20T	/-D	01 F 4100	02 F 2660
		stainl. steel 316Ti	Glass	FS-50T	/-D	01 F 1410	
		stainl. steel 316Ti	stainl. steel 316Ti	FSS-2T	/-D	01 F 7100	02 F 2665
		stainl. steel 316Ti	stainl. steel 316Ti	FSS-20T	/-D	01 F 7250	02 F 2670
		Glass (G) F-3G, 3 µm	universal in use	PVDF	Glass	FP-3G	/-D
PTFE	Glass			FT-3G	/-D	01 F 2850	02 F 2050
stainl. steel 316Ti	Glass			FS-3G	/-D	01 F 6500	02 F 2692
stainl. steel 316Ti	stainl. steel 316Ti			FSS-3G	/-D	01 F 7300	02 F 2675
Glassfibre (GF) F-2GF, 2 µm	for high dust loadings	PVDF	Glass	FP-2GF	/-D	01 F 1900	02 F 1490
		PTFE	Glass	FT-2GF	/-D	01 F 2900	02 F 2100
		stainl. steel 316Ti	Glass	FS-2GF	/-D	01 F 6600	02 F 2715
		stainl. steel 316Ti	stainl. steel 316Ti	FSS-2GF	/-D	01 F 7200	02 F 2677
Glassfibre (GF) F-0, 1GF, 0,1 µm	for ultra fine filtration	PVDF	Glass	FP-0, 1GF	/-D	01 F 1500	02 F 1500
		PTFE	Glass	FT-0, 1GF	/-D	01 F 2950	02 F 2400
		stainl. steel 316Ti	Glass	FS-0, 1GF	/-D	01 F 6700	02 F 2710
		stainl. steel 316Ti	stainl. steel 316Ti	FSS-0, 1GF	/-D	01 F 7150	02 F 2685
Ceramic F-2K, 2 µm F-20K, 20 µm	large separation at low differential pressure	PVDF	Glass	FP-2K	/-D	01 F 1000	02 F 1300
		PVDF	Glass	FP-20K	/-D	01 F 1100	02 F 1310
		PTFE	Glass	FT-2K	/-D	01 F 2000	02 F 2300
		PTFE	Glass	FT-20K	/-D	01 F 2100	02 F 2310
		stainl. steel 316Ti	Glass	FS-2K	/-D	01 F 5000	02 F 2550
		stainl. steel 316Ti	Glass	FS-20K	/-D	01 F 5100	02 F 2560
		stainl. steel 316Ti	stainl. steel 316Ti	FSS-2K	/-D	01 F 7050	02 F 2690
		stainl. steel 316Ti	stainl. steel 316Ti	FSS-20K	/-D	01 F 7060	02 F 2695
Stainless Steel 1.4404 F-3SS, 3 µm F-20SS, 20 µm	for high pressure humid and trace gas measurement	PVDF	Glass	FP-3SS	/-D	01 F 1600	02 F 1550
		PVDF	Glass	FP-20SS	/-D	01 F 1800	02 F 1560
		PTFE	Glass	FT-3SS	/-D	01 F 2600	02 F 2600
		PTFE	Glass	FT-20SS	/-D	01 F 2800	02 F 2500
		stainl. steel 316Ti	Glass	FS-3SS	/-D	01 F 6000	02 F 2667
		stainl. steel 316Ti	Glass	FS-20SS	/-D	01 F 6010	02 F 2680
		stainl. steel 316Ti	stainl. steel 316Ti	FSS-3SS	/-D	01 F 7000	02 F 2700
		stainl. steel 316Ti	stainl. steel 316Ti	FSS-20SS	/-D	01 F 7010	02 F 2705
Wire cloth Stainless Steel 316L F-100SSG, 100 µm F-250SSG, 250 µm		stainl. steel 316Ti	stainl. steel 316Ti	FSS-100SSG		01 F 7015	
		stainl. steel 316Ti	stainl. steel 316Ti	FSS-250SSG		01 F 7020	

All filter units are also available with double-size element F-3G 150, F-2K 150 and F-0,1GF 150, and types FS, FSS with NPT thread.

To avoid damage of gas analysers by faulty pre-installed gas drying systems M&C recommends a liquid alarm. Liquid sensors incl. electronics, on request see 5-5.1.1/5-5.1.2/5-5.3.

For special application see datasheet

Panel mounting filters 5-0.1, heated filters 5-2.1.1/5-2.1.5, separators 3-6.1.1/3-6.2.1/3-6.2.3, liquid filters 5-4.1, adsorption cartridges 5-1.10.1, washing bottles 5-1.10.3, fluid particle filters 5-1.10.7/5-1.10.8.

Option

Perspex cover type PS incl. threading PVDF and mounting on the filter glass F-120G Part No. 90F0032

Perspex cover PS and thread adaptor piece PS 1

