

Aquam5

5 Port Unmanaged EN50155 Industry Ethernet Switches



» Overview

Aquam5 as IP65/67 and unmanaged Ethernet Switch, supports 5 Fast Ethernet interfaces of with M12 connector to ensure the tightness and the firmness of the connection and ensure reliable operation, especially suitable for application that are subject to high vibration and shock. Aquam5 supports panel mounting, supports IP65/67 protection class to meet the requirements of dustproof and waterproof performance, supports a wide range of operation temperature(-40°C~75°C), and meets EN50155, EN50121, EN55022 Class A&B and FCC CFR47 Part 15 standard requirements, making the product is suitable for the industrial field of various harsh environment, especially rail transportation and automation industry with strict requirements on reliability.

» Key Features

Supports a maximum of 5 10/100Base-TX ports

Supports M12 connectors

Supports panel mounting

Supports redundant power input

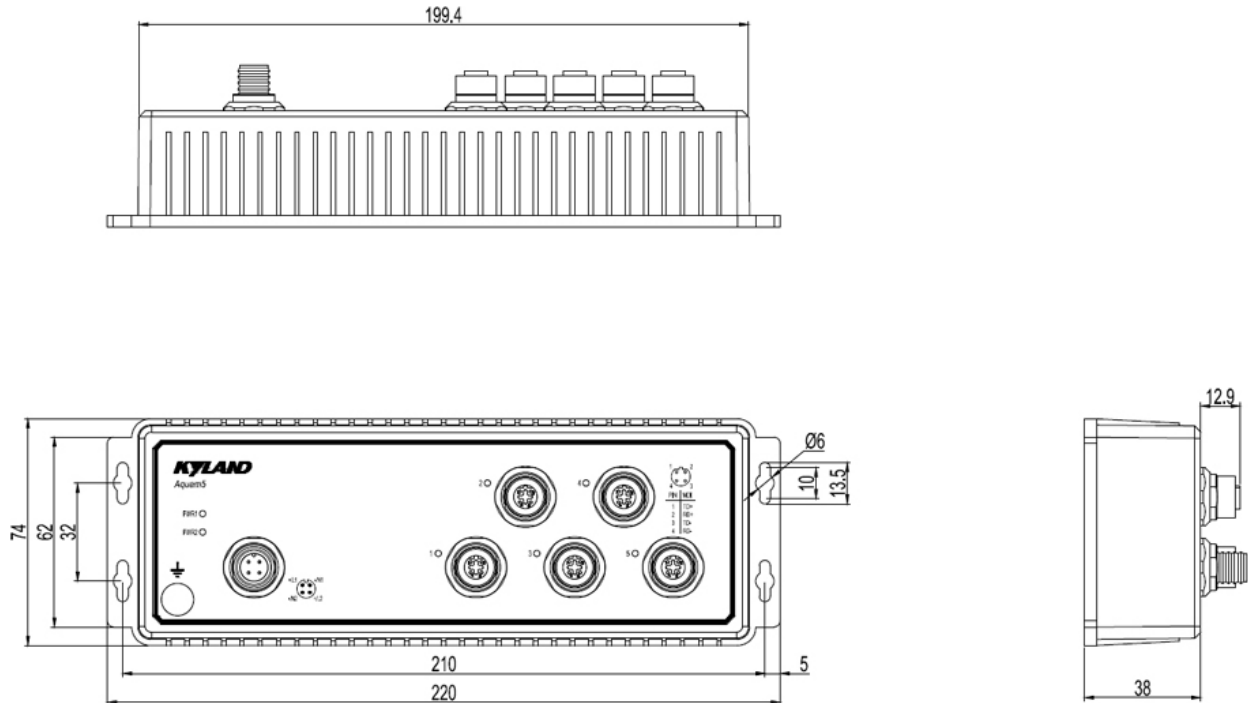
Complies with the requirements of EN50155 and EN50121 industrial standards

IP67 protection class

»» Product Specifications

Technical Specification	Standard	IEEE 802.3i(10Base-T) IEEE 802.3u(100Base-TX) IEEE 802.3x(Flow control)
	Switch Properties	MAC Table: 2K Packet Buffer: 1Mbit Packet Forwarding Rate: 0.7Mpps Switching Delay:<10us
	Interface	Fast Ethernet Port: 10/100Base-T(X), M12 connector
	LED	LEDs on Front Panel Power LED: PWR1,PWR2 Interface LED: Link/ACT
	Power Requirements	Power Input: 24VAC/DC(12-48VDC/18-30 VAC) Power Terminal: M12 Power Consumption: < 3.4W Overload Protection: Support Reverse Connection Protection: Support
	Physical Characteristics	Housing: Metal Cooling: Nature cooling,fanless Protection Class: IP65/67 Dimensions: 74mm×220mm×50.9mm(W×H×D) Weight:<1.5kg Mounting: DIN-Rail or panel mounting
	Environmental Limits	Operating Temperature: -40°C to +75°C Storage Temperature: -40°C to +85°C Ambient Relative Humidity: 5-95% (non-condensing)
	Quality Assurance	MTBF: 300,000 hrs Warranty: 5 years
	Approvals	CE, FCC, UL61010, EN50155, EN50121
Industry Standard	EMI: FCC CFR47 Part 15,EN55022/CISPR22,Class A EMS: IEC61000-4-2 (ESD) ±6kV (contact), ±8kV (air) IEC61000-4-3 (RS) 20V/m (80MHz-2GHz) IEC61000-4-4 (EFT) Power Port: ±2kV; Data Port: ±2kV IEC61000-4-5 (Surge) Power Port: ±1kV/DM, ±2kV/CM IEC61000-4-6 (CS) 10V (150kHz-80MHz) IEC61000-4-8(Power frequency magnetic field)50Hz 100A/m IEC61000-4-9(Pulsed magnetic field)300A/m IEC61000-4-29 (Voltage Short interruptions) 10ms 100% Safety: EN60950-1 Machinery: IEC61373 (Vibration and Shock) IEC60068-2-32 (Free Fall)	

» Mechanical Drawing



» Ordering Information

- | | |
|-------------------|--|
| Aquam5-5T-LV-LV | 5 x 10/100BASE-T(X) M12 port, 24VAC/DC (12-48VDC/18-30VAC) , redundant power inputs, IP65 protection class |
| Aquam5-H-8T-LV-LV | 5 x 10/100BASE-T(X) M12 port, 24VAC/DC (12-48VDC/18-30VAC) , redundant power inputs, IP67 protection class |

Accessories

- | | |
|----------------------|---|
| M12-A-4P-F | Power Interface Connector, Female cable connector with M12, A-Coding, 4 Pin |
| M12-D-4P-M | 10/100/1000Base-TX interface Connector, Male cable connector with M12, D-Coding, 4 Pin |
| DT-XL-PWR-M12-XXX-3m | Power cable with M12 connector, 3m connecting line with M12 connector for power ports (from M12 to the exposed end) |

Version:2017-07-07 09:54:20