

Compact Gas Sample Probe Series SP[®]

SP180-H

Instruction Manual
Version 1.04.01



**Dear customer,**

Thank you for buying our product. In this instruction manual you will find all necessary information about this M&C product. The information in the instruction manual is fast and easy to find, so you can start using your M&C product right after you have read the manual.

If you have any question regarding the product or the application, please don't hesitate to contact M&C or your M&C authorized distributor. You will find all the addresses in the appendix of this manual.

For additional information about our products and our company, please go to M&C's website www.mc-techgroup.com. There you will find the data sheets and manuals of all our products in German and English.

Disclaimer

This manual does not claim to be complete and it may be subject to technical modifications.

© 07/2024 M&C TechGroup Germany GmbH. Reproduction of this document or its content is not allowed without permission from M&C.

With the release of this version all older manual versions will no longer be valid. The German instruction manual is the original instruction manual. In case of arbitration only the German wording shall be valid and binding.

SP® is a registered trademark.

Version: 1.04.01

Table of Contents

1	General information	4
2	Declaration of conformity	4
3	Safety instructions	5
3.1	Intended Use.....	5
4	Warranty	5
5	Warning signs and definitions	6
6	Introduction	7
6.1	Serial numbers.....	7
6.2	Power supply.....	7
7	Technical Data	8
8	Applications	9
9	Description	9
10	Probe design	10
11	Receiving the sample probe	11
12	Preparation for Installation	11
13	Installation	12
13.1	Connecting the heated sample line.....	13
13.2	Connecting the calibration gas line.....	13
14	Electrical Connection	14
15	Preparations for commissioning	15
16	Starting up	15
17	Maintenance	15
18	Decommissioning	18
20	Spare parts and consumables	18
21	Risk assessment	19
22	Appendix	21

Table of Figures

Figure 1	Dimensions and construction of the SP180-H	10
Figure 2	Mounting of the SP180-H.....	12
Figure 3	Electrical connection diagram.....	14
Figure 4	Opening of the insulation cap.....	16
Figure 5	Replacing the filter element.....	17
Figure 6	Overview risk assessment.....	19



Headquarters

M&C TechGroup Germany GmbH ♦ Rehhecke 79 ♦ 40885 Ratingen ♦ Germany

Phone: +49 - 2102 - 935 - 0

Fax: +49 - 2102 - 935 - 111

E - mail: info@mc-techgroup.com

Website: www.mc-techgroup.com

1 General information

The product described in this manual has been built and tested in our production facility.

All M&C products are packed to be shipped safely. To ensure the safe operation and to maintain the safe condition, all instructions and regulations stated in this manual need to be followed. This manual includes all information regarding proper transportation, storage, installation, operation and maintenance of this product by qualified personnel.

Please follow all instructions and warnings closely.

Please read this manual carefully before commissioning and operating the device. If you have any questions regarding the product or the application, please don't hesitate to contact M&C or your M&C authorized distributor.

2 Declaration of conformity



The product described in this operating manual complies with the following EU directives:

EMV-Instruction

The requirements of the EU directive 2014/30/EU "Electromagnetic compatibility" are met.

Low Voltage Directive

The requirement of the EU directive 2014/35/EU "Low Voltage Directive" are met.
The compliance with this EU directive has been examined according to DIN EN 61010.

Declaration of conformity

The EU Declaration of conformity can be downloaded from the **M&C** homepage or directly requested from **M&C**.

3 Safety instructions

Follow these safety directions and instructions regarding installation, commissioning and operation of the SP180-H:

Read this manual before commissioning and operating the product. Please make sure to follow all safety instructions.

Installation and commissioning of electrical devices must be carried out only by qualified skilled personnel in compliance with the current regulations.

The installation and commissioning of the device must conform to the requirements of VDE 0100 (IEC 364) 'Regulations on the Installation of Power Circuits with Nominal Voltages below 1000V' and must be in compliance with all relevant regulations and standards.

Before connecting the device, please make sure to compare the supply voltage with the specified voltage on the product label.

Protection against damages caused by high voltages:

Disconnect the power supply before opening the device for access. Make sure that all external power supplies are disconnected.

Operate the device only in the permitted temperature and pressure ranges. For details please refer to the technical data sheet or manual.

Install the device only in protected areas, sheltered from rain, sun and moisture. The product should not be exposed to the elements.

This device is NOT certified to be installed or operated in explosive hazardous areas.

Installation, maintenance, inspections and any repairs of the devices must be carried out only by qualified skilled personnel in compliance with the current regulations.

3.1 Intended Use

The **SP180-H** gas sample probe must be operated properly under the conditions described in chapter 7. Only use the **SP180-H** in permissible temperature and pressure ranges.

Refrain from any use other than for this purpose.

Improper use can lead to serious injuries, see the safety instructions at the appropriate point.

4 Warranty

In case of a device failure, please contact immediately M&C or your M&C authorized distributor.

We have a warranty period of 12 months from the delivery date. The warranty covers only appropriately used products and does not cover the consumable parts. Please find the complete warranty conditions in our terms and conditions.

The warranty includes a free-of-charge repair in our production facility or the free replacement of the device. If you return a device to M&C, please be sure that it is properly packaged and shipped with protective packaging. The repaired or replaced device will be shipped free of delivery charges to the point of use.

5 Warning signs and definitions



Danger

The 'Danger' warning sign indicates that death, serious injury and/or significant material damage will be the consequence, if the appropriate precautions should not be taken.



Warning

The 'Warning' warning sign indicates that death, serious injury or damage to property may occur if the relevant precautionary measures are not observed.



Caution

The 'Caution' warning sign indicates that slight personal injury can occur if the appropriate safety precautions are not observed.



Toxic!

Acute toxicity (oral, dermal, inhalation)! Toxic when in contact with skin, swallowed or inhaled.



Corrosive!

These substances destroy living tissue and equipment upon contact. Do not breathe vapors; avoid contact with skin and eyes.

Caution

'Caution' indicates that damage to property can occur if the appropriate safety precautions are not observed.



Note

'Note' indicates important information relating to the product or highlights parts of the documentation for special attention.

Qualified personnel

'Qualified personnel' are experts who are familiar with the installation, mounting, commissioning and operation of these types of products.



High voltages!

Protect yourself and others against damage which might be caused by high voltages.



Hot surface!

Contact may cause burn! Do not touch!



Wear protective gloves!

Working with chemicals, sharp objects or extremely high temperatures requires wearing protective gloves.



Wear safety glasses!
Protect your eyes while working with chemicals or sharp objects. Wear safety glasses to avoid getting something in your eyes.



Wear protective clothes!
Working with chemicals, sharp objects or extremely high temperatures requires wearing protective clothes.



Use foot protection



Use safety helmet and full protective goggles

6 Introduction

M&C gas sample probes provide direct insitu ultra-fine filtration during continuous gas sampling for analytic measurements. In this way, part of the necessary maintenance work for a system is concentrated on a single point. This filter technology has the major advantage that dust mixtures consisting of ultra-fine and coarse dusts can be optimally retained with the least possible maintenance work.

Optimal adaptation of the sample probe to processing conditions and to measurement work is a necessary condition for a measurement system to work smoothly. Basically, the gas sample should be kept to a necessary minimum. This is made possible thanks to optimised downstream gas processing using M&C components. Only in this way it is possible to reduce maintenance to a minimum while ensuring maximum availability.

6.1 Serial numbers

The product label with the serial number is located inside the terminal box of the sample probe.

Please refer to this serial number if you have any questions about your sample probe or if you need to order spare parts or consumables.

6.2 Power supply

The probe can be operated on alternating current in the range of 110 V AC to 240 V AC.

7 Technical Data

Gas Sample Probe Series SP®	SP180-H
Part No.	02S1800
Weather protection shield	Yes
Mounting outdoors	Yes
Sample tube	Type SP210/SS, stainless steel 316Ti, length 1 m [\approx 3.28 ft]*, optional*
Sample temperature	Max. 600 °C* [1112 °F*]
Sample pressure	0.4 to 6 bar abs.
Ambient temperature	(-40 °C) -25 to +80 °C** [(-40 °F) -13 to +176 °F]**
Recommended for dust loadings	Up to 1 g/m ³ *
Filter chamber volume	70 ml
Filter element	S-2K, filter porosity 2 µm, ceramic
Probe heating temperature	+180 °C [+356 °F] self-regulating
Ready for operation	After 2 hours
Temperature alarm contact, alarm point	< 160 °C [< 320 °F], NO
Temperature alarm, contact rating	250 V-3 A AC, 30 V-3 A DC
Connection sample outlet	1/4"-NPT inside, with 6 mm (DN 4/6) Swagelok® tube connector
Calibration gas connection	Swagelok® tube fitting for 6 mm tube (DN 4/6), connection including sealing plug
Power supply	110 V AC up to 240 V 50/60 Hz
Power consumption	Start up: 400 VA, usual: 100 VA, (fuse 6 A)
Electrical connection	Terminals max. 2.5 mm ² , cable glands 1 x M 20 x 1.5 and 1 x M 16 x 1.5
Electrical equipment standard	EN 61010, EN 60335-1
Degree of protection	IP54, EN 60529
Mounting flange	DN 65 PN 6, B stainless steel 316Ti
Material of sample contacting parts	SS 316/316Ti, FKM, ceramic
Dimensions (W x H x D)	230 x 280 x 225 mm [\approx 9.06" x 11.02" x 8.86"]
Weight	Approx. 7.5 kg [\approx 16.53 lbs]
Option	
Part No.: 02S9200	Insitu probe tube out of stainless steel 316Ti type SP210/SS, connection G3/4" o, ø 10/12, length 1 m [\approx 3.28 ft]*, incl. flange gasket

* Standard, other versions on request.

** The safe operation of the SP180-H heating elements at ambient temperatures of up to -40 °C [-40 °F] needs to be guaranteed.

Turning off the heating elements of the SP180-H at ambient temperatures under -25 °C [-13 °F] can destroy the sealing materials of the gas sample probe.

Swagelok® is a registered trademark for tube fittings by Swagelok Company, USA.

ΔP und T90 at flow of:	100	200	500	NI/h
ΔP pressure loss with new filter element S-2K:	4	7	15	mbar
T90 time-without sample tube/prefilter-	4.0	2.5	< 1.0	Sec.

8 Applications

The electrically heated M&C gas sample probe SP180-H is used for continuous gas sampling in processes with dust densities of up to 1 g/m³, operating pressure of up to max. 6 bar abs., temperatures of up to a maximum of 600 °C [1112 °F] or for high gas humidity. Thanks to its compact design it requires only limited space. The gas sample probe SP180-H is equipped with a new protective cover and can be used for outdoor mounting.

9 Description

The sample probes are designed for easy installation, reliable operation and trouble-free maintenance. Advantages are:

- Gas sampling with dust-laden processes;
- low volume, fast response time;
- filter elements can be changed without tools and without disconnecting the (heated) sample line;
- the filter chamber can be easily cleaned;
- the probe tube can be cleaned without dismantling the probe;
- self-regulated electrical heating with undertemperature alarm contact, and different probe tubes and pre-filters as option;
- with calibration gas connection as standard.

The 75 mm ceramic filter element with a porosity of 2 μm and a large surface is located in the heated stainless steel filter housing of the probe. The gas sample probe is heated up to +180 °C [+356 °F] using a special self-regulated heating element. No thermostat or temperature limiter is necessary. A separate thermo switch is provided for under temperature monitoring (< 160 °C [< 320 °F], NO).

10 Probe design

The probe head with its new all-round enclosing heat insulating protection cover forms a complete unit with the filter housing, the standard mounting flange DN 65 PN 6 and the junction box which is attached to the side.

A mounting clamp and a tube connector are located at the bottom of the probe for the connection of heated M&C sampling lines with outer diameters of 40 mm [≈ 1.57 "] to a max. of 55 mm [≈ 2.17 "].

Please feel free to contact us in order to select an appropriate heated M&C sample line for your application.

The sample gas outlet at the probe is designed for a 6 mm (DN 4/6) tube.

The stainless steel sampling tube of one meter length (part No.: 02S9200) can optional be provided and is connected to the G 3/4" thread of the mounting flange. The maximum operating temperature for the stainless steel sampling tube is 600 °C [1112 °F]. The modular system of our sample probes allows the usage of all M&C sample tubes and prefilters with G 3/4" connection thread. This guarantees an optimum adaptation to the process conditions.

The following cross-sectional drawing shows the probe SP180-H.

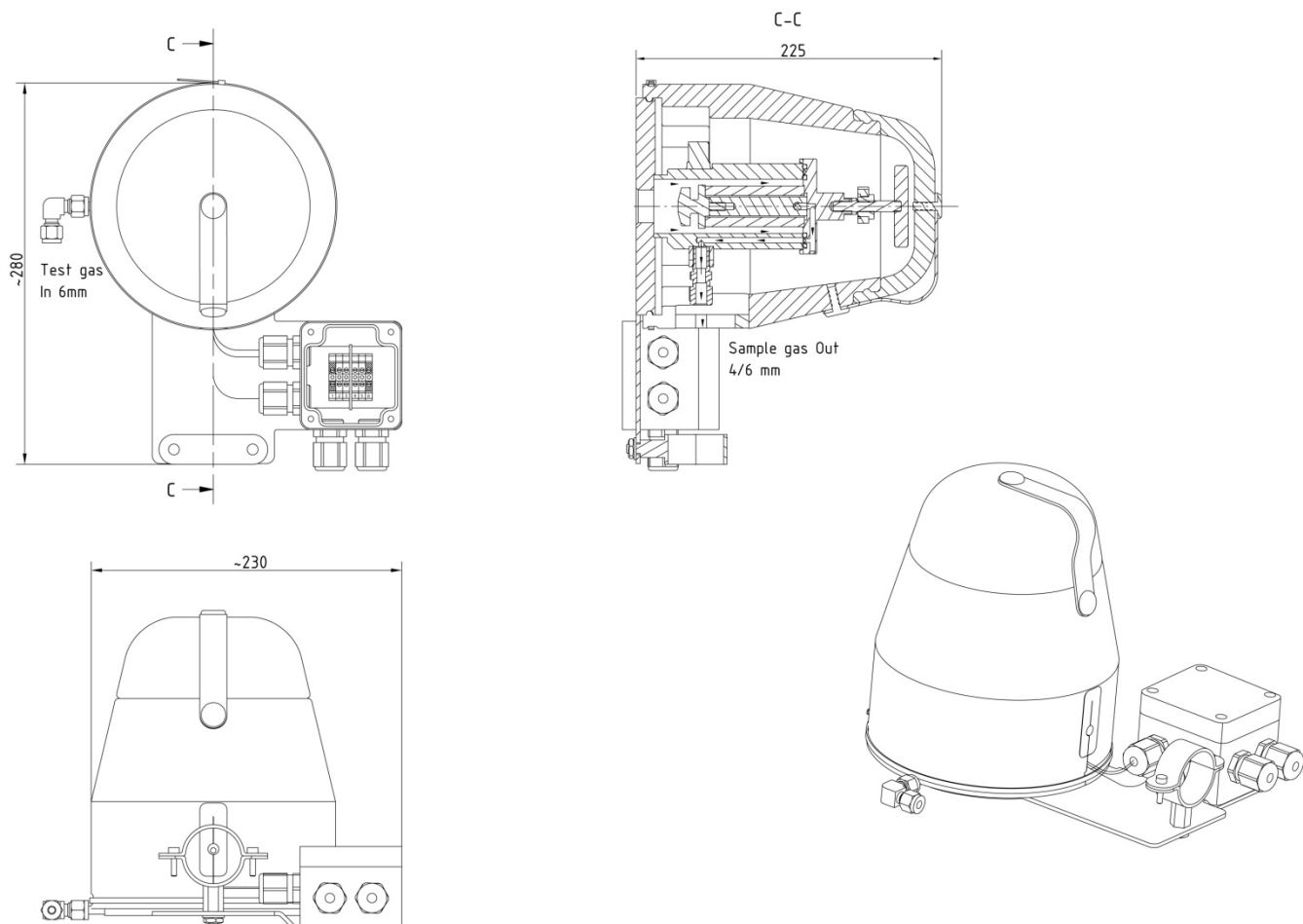


Figure 1 Dimensions and construction of the SP180-H

11 Receiving the sample probe

The gas sample probe is usually delivered in two packaging units:

- The gas sample probe with the required screws, nuts and flange sealing.
- Sample tube with gasket (optionally).

Please remove the gas sample probe carefully from the packaging. Check the scope of the delivery specified on the delivery note. Please make sure that you have received all items stated on the delivery note. Please check the unit for any transport damages after receipt and report any complaints to the transport company immediately.

12 Preparation for Installation

- Select the optimum sampling point in accordance to the generally applicable guidelines or by consulting the relevant person or department.
- Before choosing the sampling point location, please be sure that this location has adequate space for inserting and removing of the probe. Please consider the insertion length of the probe tube when you choose the location of the sampling point.
- The probe needs to be easily accessible for all necessary maintenance work.
- The temperature of the sample probe connections needs to be always above the acid dew point in order to avoid corrosion and problems with blockage. If this is not possible, a heated SP35/SP30 probe tube is recommended for cold connections.
- If the ambient temperature in the area of the connections is $> 80\text{ }^{\circ}\text{C}$ [$> 176\text{ }^{\circ}\text{F}$] as a result of radiant heat, a reflector needs to be installed to protect the probe.
- The mounting flange connector of the sample probe should be in compliance with DN65 PN6. If other connection sizes are required, a special adapter flange /S010 can be ordered optional.
- The probe needs to be fitted to the existing operating conditions before mounting.

The following existing operational parameters need to be checked prior to installing the sample probe:

weatherproof mounting position	_____provided	_____needs to be installed	
Under / over pressure situation	mbar	bar	
Process temperature	$^{\circ}\text{C}$, Min.	$^{\circ}\text{C}$, Max.	
Dust loading	g/m^3		
Dust composition - grain size	μm		
Gas composition	corrosive	toxic	explosive
Which parameters should be measured, e.g. O_2, CO, SO_2, NO_x, ...	vol%	mg/Nm^3	ppm
Required amount of gas	l/h, Min.	l/h, Max.	
Necessary T_{90} time	sec.		

13 Installation

M&C SP180-H probes are designed for stationary use. The professional choice of the right sample probe for the application and the professional installation guarantees a long service life and minimum maintenance work. The ideal position for mounting the sample probe is horizontally with a tilt angle of 10° towards the process. Please follow these installation steps and see details in Figure 2.

1. Screw the sample probe tube directly into the 3/4" inner thread ⑥ of the probe flange and tighten it.
2. To mount the SP180-H at the sampling flange, please loosen the metal clamp ⑦ around the heat insulating protection cover and remove the cover ⑧.
3. If the probe connection is not the same size as the standard flange connection DN 65 PN 6, an adapter flange ② (optional) should be mounted to the probe (see Figure 2). Place the gasket ③ between the adapter flange and the probe flange.
4. If the heated probe tube type SP30/35 is used then the probe is to be screwed to its flange (with welded threaded bolt). First insert the flange seal ③ between the two flanges.
5. Attach the flange seal ③ to the probe connection.
6. Insert sample probe with mounted probe tube into the connection piece and fasten the probe using the supplied bolts and nuts.
7. After mounting of the probe at the sampling flange put the heat insulating protection cover ⑧ over the probe flange again and secure it with the metal clamp ⑦.



Note

For the preferred mounting position of the probe, the sample gas outlet is pointing downwards. This is just the preferred mounting position, it is not necessary for correct operation.

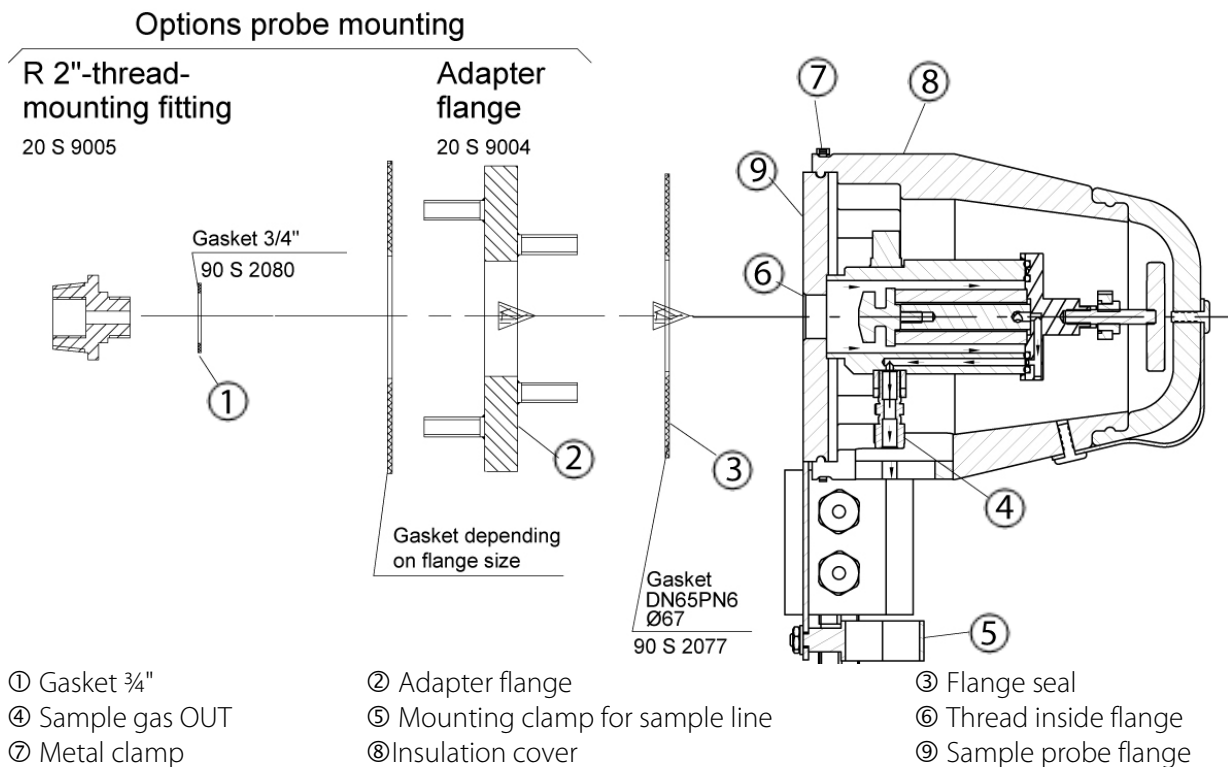


Figure 2 Mounting of the SP180-H

13.1 Connecting the heated sample line

To connect the sample line, a threaded tube connector ④ with $\varnothing 6 \times 1$ mm is available – other diameters available on request.

1. Open metal clamp ⑤.
2. Insert the tube connection piece into the bolted pipe joint ④ and connect them.

If you use a PTFE tube as sample line, a metal tubing sleeve for pneumatic fittings needs to be inserted at the end of the tube to prevent it of being pressed together.

3. The temperature-resistant, stainless steel connector ④ from M&C has a double-blade ring system to ensure reliable sealing. First finger-tight the nut of this connector, then use a flat spanner to turn the nut exactly $1\frac{1}{4}$ -turns. The nut is now correctly mounted.
4. Place the heated sample line into the open metal clamp ⑤ and close the clamp.



Make sure that the connection is leakproof!

13.2 Connecting the calibration gas line

To connect the calibration gas line, a threaded tube connector with $\varnothing 6 \times 1$ mm (DN 4/6) is available (see Figure 1)

1. Remove the sealing plug from the calibration gas connection.
2. If you use a PTFE tube as sample line, a metal tubing sleeve for pneumatic fittings needs to be inserted at the end of the tube to prevent it of being pressed together.
3. The temperature-resistant, stainless steel connector ④ from M&C has a double-blade ring system to ensure reliable sealing. First finger-tight the nuts of these connectors, then use a flat spanner to turn the nuts exactly $1\frac{1}{4}$ -turns. The nuts are now correctly mounted.

14 Electrical Connection



Warning

When connecting the equipment, please make sure that the supply voltage is identical with the information provided on the model type plate.



Setting up of electrical power installations must be conform to the requirements of IEC 364 (DIN VDE 0100) 'Regulations on the Installation of Power Circuits with Nominal Voltages below 1000 V', and must be in compliance with all relevant regulations and standards.



Note

We recommend the use of temperature resistant cable! A main switch and matching fuse must be provided externally! The main circuit must be equipped with a fuse corresponding to the nominal current (over current protection); for electrical details see chapter 7. We recommend to use a low temperature alarm at all times. In case of an alarm the flow can be stopped and the components downstream of the probe will be protected.

The junction box is mounted on the side of the probe. The wiring plan is inside the lid of the junction box. Two separate cable glands are available for the mains and the signal cable.

Please follow the following steps to connect the equipment:

1. Remove the lid of the junction box.
2. Insert the power cord through the cable gland size M 20. Connect the mains cable to the appropriate terminals as shown below.
3. Insert the signal cable through the other cable gland size M 16 and connect it to the appropriate terminals as shown in the wiring below.
4. Tighten both cable glands to secure the inserted cables and prevent cable pull out.
5. If you don't use a signal cable, the cable gland size M 16 needs to be closed with a blind plug (not included).
6. Screw lid back on.

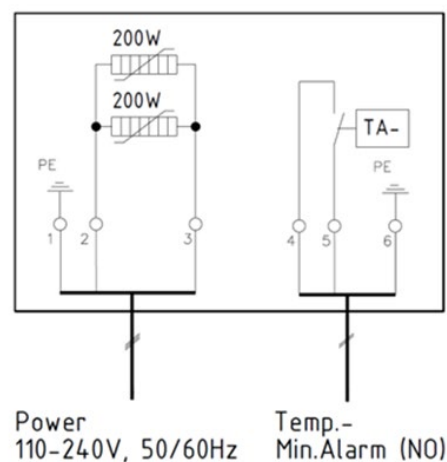


Figure 3 Electrical connection diagram



Note

The function of the self-regulating heating cartridge with PTC effect cannot be checked with an ohmmeter.

15 Preparations for commissioning

Before initial startup, all plant- and process-specific safety measures must be observed. It is mandatory for the operator to complete the enclosed risk assessment of the product.

The gas exposure risk must be assessed by the operator with regard to the hazards posed by process and calibration gas and the setup at the installation site (e.g. tubing, system cabinet/container/plant). If the risk assessment reveals increased exposure hazards, further measures are required.

A visible label must be attached to the installation site in accordance with the risk assessment provided by the operator.

16 Starting up

Before connecting the device, please make sure that the supply voltage matches the specified voltage on the product label of the probe.

- Switch on mains power supply. The total heating-up time is approximately 2 hours. After about 1 hour the temperature of the probe is already higher than the temperature failure alarm value (160 °C [320 °F]), but it still takes about another hour until operation temperature has been reached.
- After the minimum heating-up time of 2 hours, the gas sample probe can start to extract the sample gas.

17 Maintenance

Before starting any maintenance work, please make sure that any work done on the device is in compliance with all relevant regulations and standards.



Disconnect power supply before opening the device for access.
Make sure that all external power supplies are disconnected.
This also applies to any external alarm or control circuits which may be connected.

The intervals between servicing are dependent on the process and system conditions in your facility.

The facility QA/QC plan should address the frequency for maintenance and should be updated based on your operations.

An indication that maintenance work of the sample probe might be necessary, is a steady decrease of the amount of sample gas going out to your analysis system.

The routine maintenance work consists mainly of replacing filter elements and checking seals.



The function of the self-regulating heating cartridge with PTC effect cannot be checked with an ohmmeter.



Warning

When working during operation: High surface temperatures!

Touching the device can cause severe burns!

Wear protective gloves! Secure the device against unauthorized access.

To start the maintenance work, please follow these steps:

1. Remove insulation cap ① by squeezing and lifting the cap (see Figure 4).

Caution

Don't use the green retaining strap to remove the insulation cap. The insulation cap will be damaged by using the retaining strap!



Figure 4 **Opening of the insulation cap**

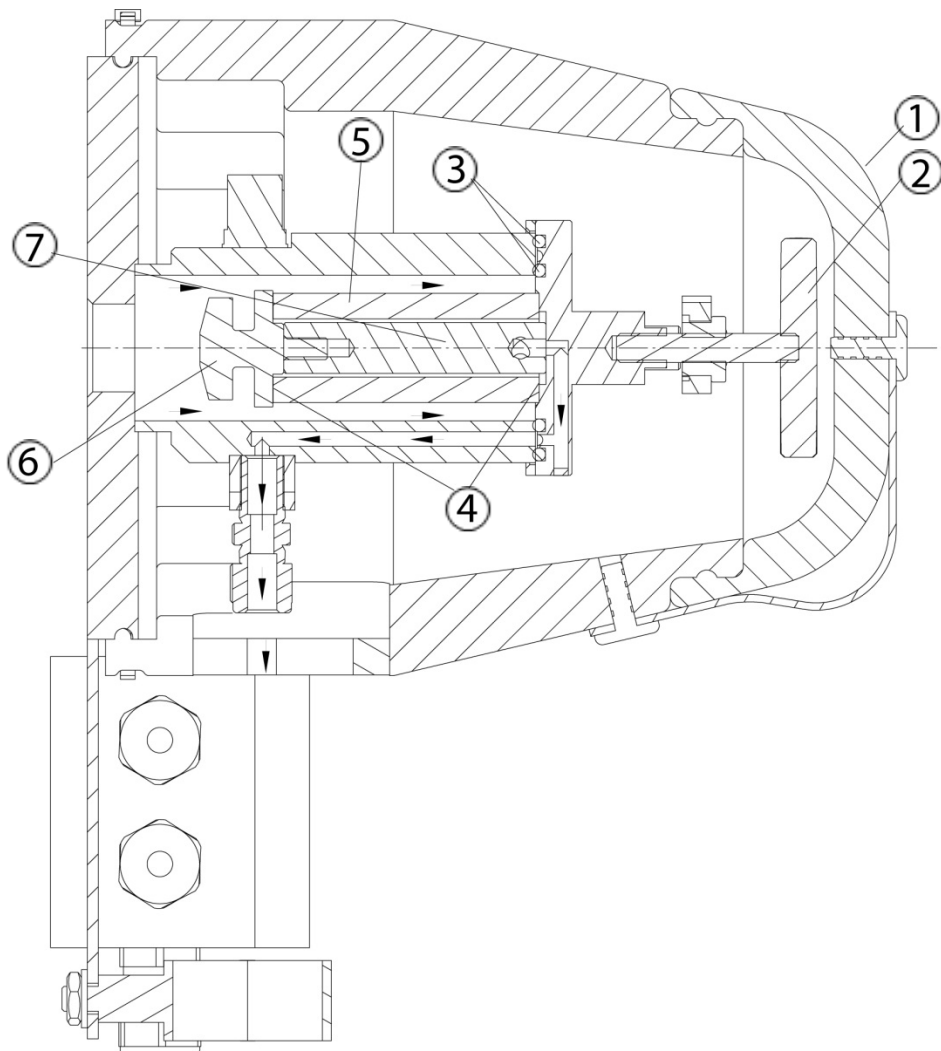
2. Loosen filter lid by turning handle ② to the left. Then pull out the filter lid with o-rings ③, filter element sealings ④, filter element ⑤ with filter element holder ⑦ and filter's knurled head thumb screw ⑥.



To remove the filter lid, please hold the filter lid clamp against the studs and turn the handle to the left until the filter lid loosens.

3. Unscrew the knurled head thumb screw ⑥ of the filter and remove the filter element ⑤.

4. Check the seals of the filter element ④ and replace if necessary.
5. Check o-rings of the filter lid ③ and replace if necessary.
6. Place new filter element ⑤ on the filter element holder ⑦.
7. Screw-on the knurled head thumb screw ⑥ again.
8. Clean the filter chamber. Now, while the filter lid with the filter element is removed, you can clean the inside of the probe tube to remove residue.
9. To assemble the sample probe, please insert the filter lid with the new filter element back into the probe. To tighten the filter lid, put the filter lid clamp against the studs and turn the handle ② to the right.
10. Place insulation cap back on the sample probe.



- | | | |
|-------------------------|----------------------------|--------------------------|
| ① Insulating cap | ② Handle of the filter lid | ③ Filter lid o-rings |
| ④ Filter element seals | ⑤ Filter element | ⑥ Filter retaining screw |
| ⑦ Filter element holder | | |

Figure 5 Replacing the filter element

18 Decommissioning

Before decommissioning the gas sample probe (turning off the heating), the probe needs to be flushed with inert gas or air in order to avoid condensation of aggressive components of the process gas.

19 Proper disposal of the device

At the end of the service life of our products, it is important to take care of the appropriate disposal of obsolete electrical and non-electrical devices. To help protect our environment, follow the rules and regulations of your country regarding recycling and waste management.

20 Spare parts and consumables

The replacement interval for spare parts and consumables depends on the specific operating condition of the probe. The quantities recommended in the following table are based on experience. Your replacement intervals will be based on your operating conditions.

Gas sample probe SP180-H						
(C) Consumable parts						
(R) Recommended spare parts						
(S) Spare parts						
						recommended amount based on number of years of operation [years]
Part No.	Description	C/R/S	1	2	3	
90S0015	Ceramic filter element S-2K, 2 µm, 75 mm [≈ 2.95"] (see ⑤ in figure 5)	C	6	12	18	
93S0045	Viton® - gasket (30) (see ④ in figure 5)	R	4	8	12	
93S0020	O-ring lid sealing (39) Material: Viton®. (see ③ in figure 5)	R	2	4	6	
93S0025	O-ring lid sealing (55) Material: Viton®. (see ③ in figure 5)	R	2	4	8	
90S2080	Novapress® gasket 3/4" (<i>blue</i>), max. 600 °C [1112 °F]	R	1	2	3	
90S2077	Novapress® flange gasket DN65 PN6 (67 mm i.)	R	1	1	1	
90S2075	Flange gasket set for DN65 PN6 B, consisting of Novapress® gasket (67 mm i.) and screws set M12	S	1	1	1	
93S1805	Min. temperature contact <160 °C [<320 °F]	R	-	-	1	
93S1810	Cartridge heater SP180 HLP5R, L = 100 mm [≈ 3.94"], 110-240 V AC 100 W	R	2	2	4	

Viton® is a registered trademark for fluoroelastomers by DuPont Performance Elastomers, USA.

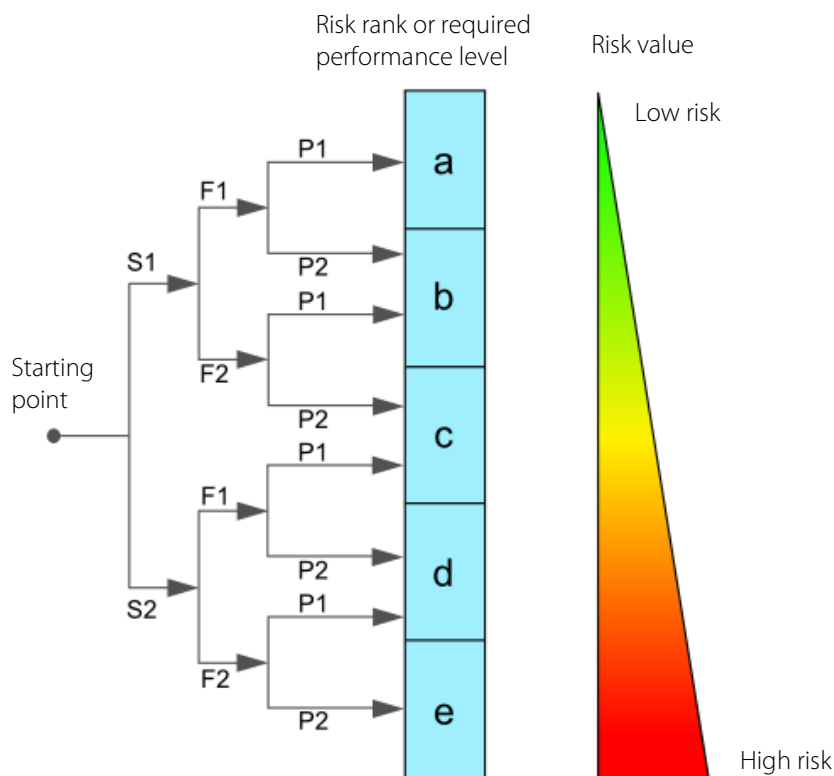
Novapress® is a registered trademark for elastomer-bonded gasket material by Frenzelit GmbH, Germany.

21 Risk assessment

The risk assessment provided in this chapter is intended for all work activities on the product. The hazards can occur in the work steps of assembly, commissioning, maintenance, disassembly and in the event of a product fault. During normal operation, the product is protected by a system cabinet or appropriate covers. Only qualified personnel is permitted to perform the work. The following minimum knowledge is required for the work:

- Employee instruction provided in process engineering
- Employee instruction provided in electrical engineering
- Detailed knowledge of the instruction manual and the applicable safety regulations

The product complies with the current regulations according to state-of-the-art science and technology. Nevertheless, not all sources of danger can be eliminated while observing technical protective measures. Therefore, the following risk assessment and the description of exposure hazards refer to the work steps mentioned above.



Severity of injury:

S1 = 1 = minor (reversible injury)

S2 = 2 = serious (irreversible injury, death)

Frequency and duration:

F1 = 1 = infrequent or short exposure to hazard

F2 = 2 = frequent (more than once per hour/shift)

Possibility of preventing or limiting the damage

P1 = 1 = possible

P2 = 2 = hardly possible

Figure 6 Overview risk assessment



Aggressive condensate possible

Risk rank group A

Chemical burns due to aggressive media possible!

This applies to all liquids in vessels and in the product.

In general, for electrical and mechanical work on the product, wear personal protective equipment (PPE) in accordance with the risk assessment.



Caution hot surfaces

Risk rank group A

The temperature inside the product can be higher than $> 180\text{ }^{\circ}\text{C}$.

The hot parts are shielded by mechanical devices. Before opening the products, they must be disconnected from the power supply and a cooling time of more than > 180 minutes must be observed. In general, for electrical and mechanical work on the product, wear personal protective equipment (PPE) in accordance with the risk assessment.



Caution electric shock

Risk rank group C

When installing high-power systems with nominal voltages of up to 1000 V, the requirements of VDE 0100 and their relevant standards and regulations must be observed!

This also applies to any connected alarm and control circuits. Before opening the products, they must always be disconnected from the power supply.



Gas hazard

Risk rank group A-B-C

The hazard potential mainly depends on the gas to be extracted.

If toxic gases, oxygen displacing or explosive gases are conveyed with the product, an additional risk assessment by the operator is mandatory.

In principle, the gas paths must be purged with inert gas or air before opening the gas-carrying parts.

The escape of potentially harmful gas from the open process connections must be prevented.

The relevant safety regulations must be observed for the media to be conveyed. If necessary, flush the gas-carrying parts with a suitable inert gas. In the event of a gas leakage, the product may only be opened with suitable PPE or with a monitoring system.

Furthermore, the work safety regulations of the operator must be observed.



Caution crushing hazard

Risk rank group A

The work must be performed by trained personnel only.

This applies to products weighing less than < 40 kg [\approx 88.2 lbs]:

The product can be transported by 1 to 2 person(s). The instructions for appropriate personal protective equipment (PPE) must be observed.

The weight specifications are contained in the technical data of this product.

Furthermore, the work safety regulations of the operator must be observed.

22 Appendix



Further product documentation is available on our home page:

<http://www.mc-techgroup.com>

- Sample Tubes for Gas Sample Probes Series SP® with G 3/4" connection thread
- Electrically Heated Sample Probe Tube Series SP®
- Pre-Filters for Gas Sample Probes Series SP®