



Mounting version N3/5/9 KPE

Diaphragm Pump Series N[®]

Version N3/5/9 KPE and N3/5/9

Special Features

- Corrosion resistant
- 100% lubricant free
- Gas tight
- Maintenance free
- 3 types with different capacities
- Compact design

Application

The compact diaphragm pumps type N3/5/9 are suitable for sampling air, gases and vapours in a temperature range between + 5 °C and + 40 °C.

The construction and the pump capacity are adapted to the requirements of the gas analysis technique.

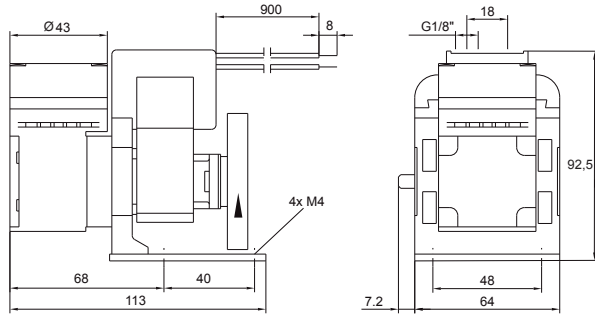
Description

The diaphragm pumps series N work absolutely lubricant free, gas-tight and maintenance-free. Three types N3 ..., N5 ..., N9 ... with different capacities are available as mounting version (... KPE) without housing or a version (... KP18) with housing. The noise level of the pumps without housing is less than 55 dB(A).

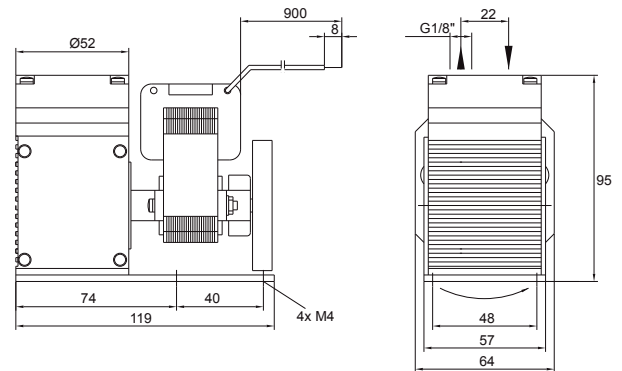
The compact design of the split-pole motor guarantees the manufacturing of a light-weight pump with little space required. The pumps are available in 115V and 230V. All parts of the pump in contact with the sample are made of corrosion resistant material.

Dimensions

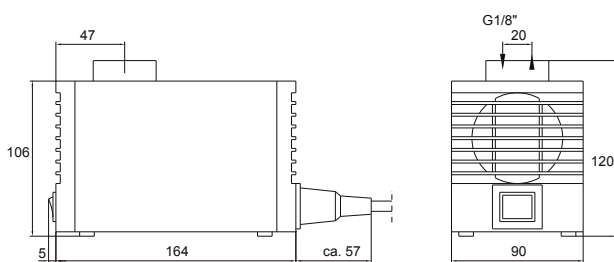
Diaphragm pump N3 KPE and N5 KPE mounting version



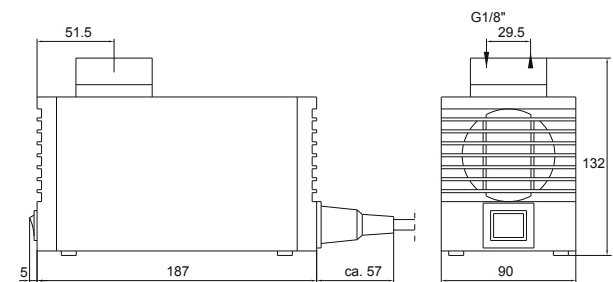
Diaphragm pump N9 KPE mounting version



Diaphragm pump N3 KP18 and N5 KP18 with housing



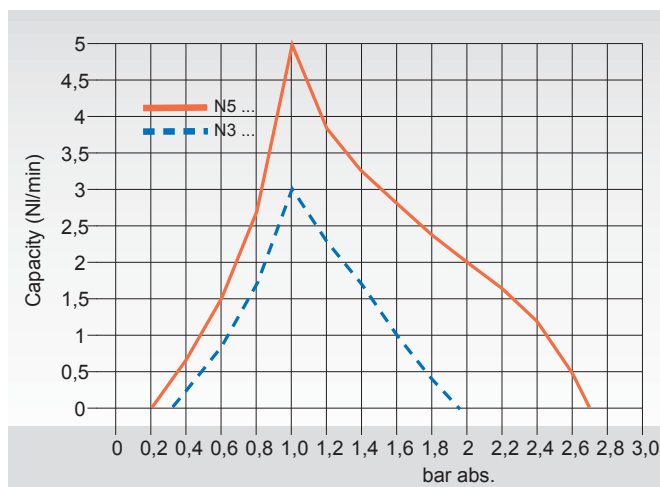
Diaphragm pump N9 KP18 with housing



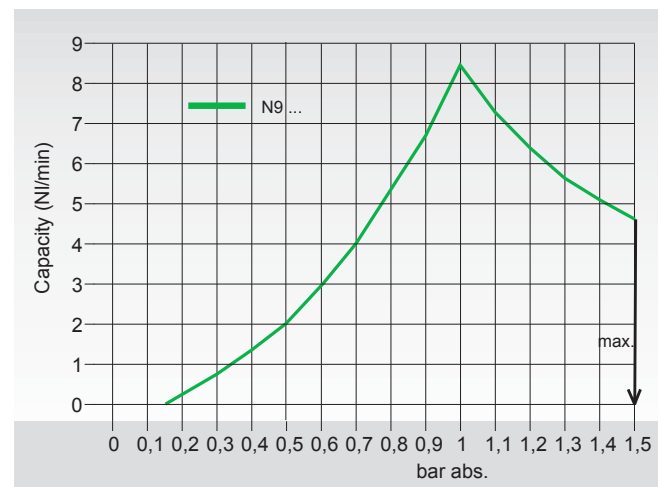
Dimensions in mm

Pump Capacities

N3 KPE/KP18 and N5 KPE/KP18



N9 KPE/KP18



Operating pressure max. 1,5 bar abs.!

Technical Data

Pump series N	N3 KPE / N3 KP18	N5 KPE / N5 KP18	N9 KPE / N9 KP18
Part number*	02P3351 / 02P3006 (a)*	02P3355 / 02P3007 (a)*	02P3360 / 02P3008 (a)*
Housing version	NO / YES		
Capacity max. at atmospheric pressure	3 NI/min	5 NI/min	8,5 NI/min
Max. operating pressure	0,25 to 1,95 bar abs	0,15 to 2,7 bar abs.	0,15 to 1,5 bar abs.
Sample and ambient temperature	+5 up to +40 °C		
Storage temperature	-15 up to +60 °C		
Operation mode	continuous		
Power supply with link at terminal changeable	230V 50Hz, 0,75A or 115V 60Hz, 1,5A 60W		230V 50Hz, 0,65A or 115V 60Hz, 1,2A 60W
Electrical connection	KPE: wire 4 x 0,5mm ² , approx. 900 mm long KP18: Cold appliance plug with 2 fuses 230V - 1A / 115V - 3,2A 2,5 m of cable and power switch		
Protector	Thermo switch, double (115V/230V)		
Protection	... KPE: IP00 EN 60529		
	... KP18: IP20 EN 60529		
Weight	... KPE: 1,1 kg ... KP18: 1,9 kg		... KPE: 1,3 kg ... KP18: 2,1 kg
Gas connections	G1/8"i DIN ISO 228/1		
Material of parts in contact with the sample	pump head: PVDF, diaphragm: PTFE, valves / sealing: VITON		
Housing material ... KP18	AL-Mg-Si-0,5 / firmness: F25, colour RAL 9002 white-grey		

*For diaphragm pumps version (N.. KP18) with housing in 115V please specify in your order: power 115V and add an "a" to the part number.