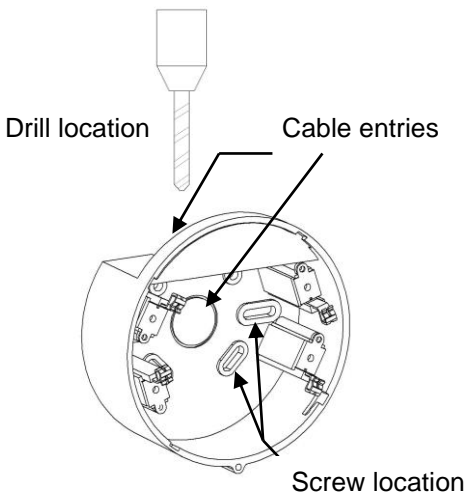


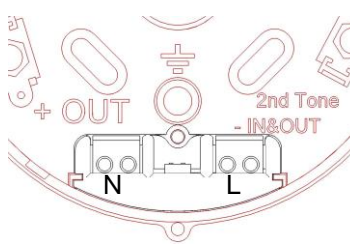
# MVB – Multi Voltage Base

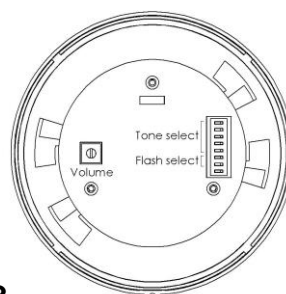
For use with NS100, NSF100 and ENB100 Products

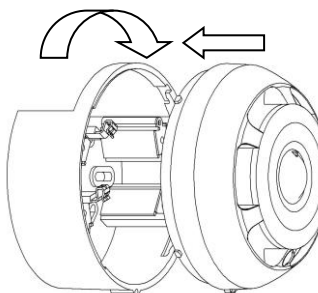
## INSTALLATION INSTRUCTIONS

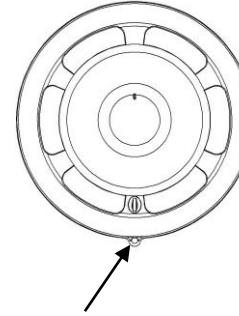
If the base is supplied with Glands pre-fitted ignore step 1.

- 

1. Drill location  
Cable entries  
Screw location
- 

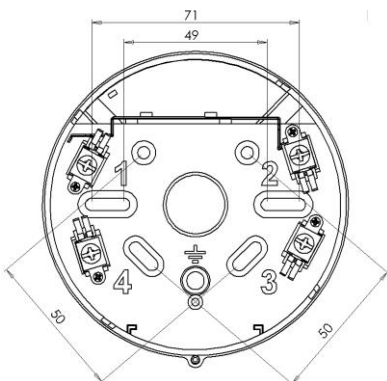
2. 110 – 230V AC/DC  
+ OUT  
2nd Tone  
- IN&OUT  
N L
- 

3. Set volume, tone & flash options  
Tone select  
Flash select  
Volume
- 

4. Fit sounder to base
- 

5. Locking screw  
MUST FIT on  
Multi Voltage version

### MVB – Fixing dimensions



### SAFETY WARNING

#### IMPORTANT:

ISOLATE SUPPLY VOLTAGE SOURCE BEFORE OPENING THIS PRODUCT OR INSTALLING THIS PRODUCT.

DO NOT CONNECT POWER DIRECTLY TO THE METAL TERMINALS WHEN USING THE MULTI VOLTAGE BASE.

CONNECT TO THE TERMINALS MARKED "L" and "N" ONLY.