

### SAB-309

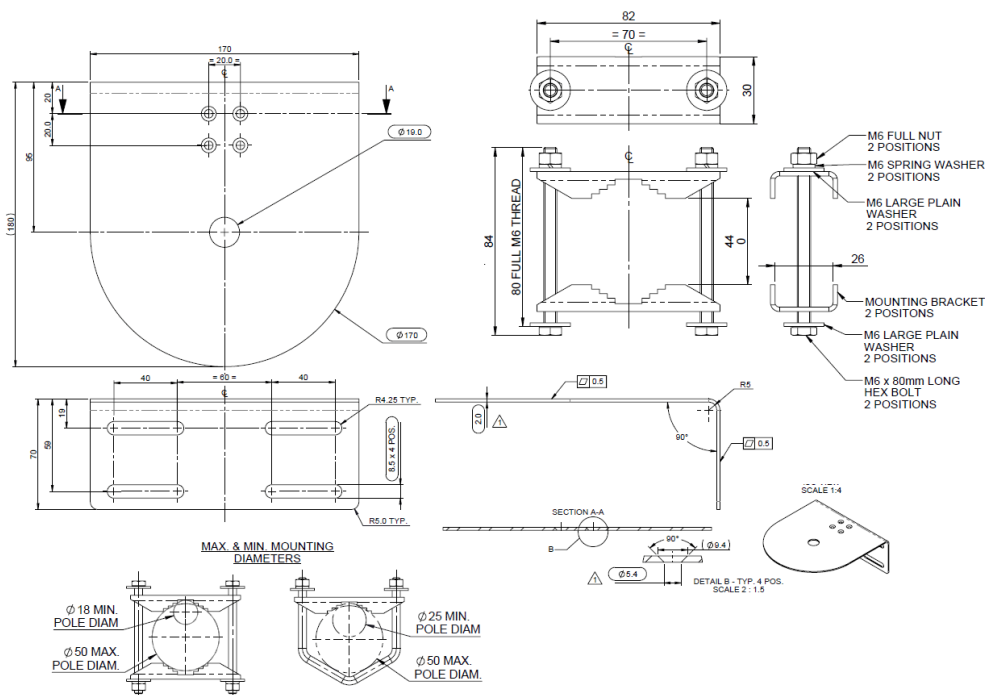
For use with the LPMM/LGMM range of low profile MiMo antennas, the SAB-309 provides a wall / pole mount option for LP[G]MM range antennas.

The robust stainless steel bracket can be screw mounted to a wall or panel or fitted on a mast using the supplied mast clamps.

This is a very easy, simple and quick solution that can permit LP[G]MM antennas to be mounted in elevated positions or in locations where a horizontal panel is not available.

#### Technical Drawing

SAB-309 Shown



Part No.

SAB-309

#### Mechanical Data

Mounting Options	Wall mount or mast mount
Max Mast Diameter (mm)	50mm (1.96")
Screw Fixings	Min. M6 or No.12 with suitable wall anchors (not supplied)
Material	Stainless Steel
Colour	Natural Finish