



SLB-94

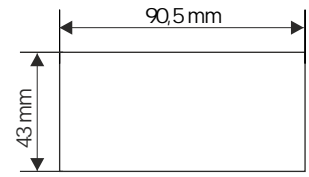
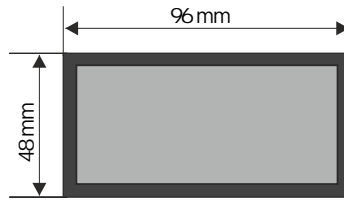
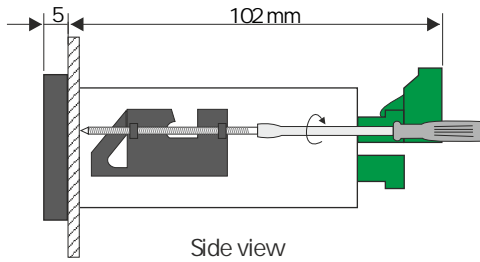
- ❑ universal counter with internal cycles counter and totalizer
- ❑ 1 pulse counting input
- ❑ 3 independent reset sources
- ❑ 4 REL / OC outputs
- ❑ prescaler and digital filter
- ❑ RS-485 / Modbus RTU
- ❑ ACCESS option - easy threshold modification

Universal totalizing SLB-94 counter is designed for counting the pulses related to physical quantities like: number of revolutions, details, switchings etc. Allows counting in three internal registers called: main counter, cycles counter, and totalizer. Is equipped with 4 relay (or OC) outputs with independently defined switch-on situation setpoints, which can be used for controlling of external devices. SLB-94 is equipped with 3 inputs which allows external reset of selected counter. All inputs of the counter are separated.

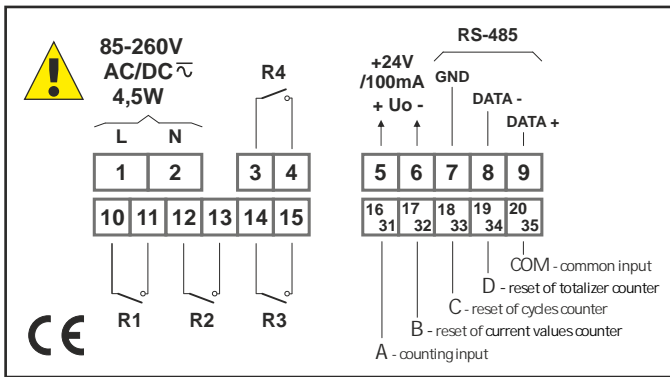
TECHNICAL DATA

Power supply Power consumption	19V ÷ 50V DC; 16V ÷ 35V AC or 85 ÷ 260V AC/DC, all separated for 85 ÷ 260V AC/DC and 16V ÷ 35V AC power supply: max. 4,5 VA; for 19V ÷ 50V DC power supply: max. 4,5 W
Display	LED, 6 x 13 mm high, red, brightness adjustable in 8 steps
Displayed values range	<u>current values counter</u> : -99 999 ÷ 999 999 + decimal point <u>cycles counter</u> : 0 ÷ 999 999 + decimal point <u>totalizer counter</u> : -99 999 999 999 ÷ 999 999 999 999
Inputs	pulse, galvanically isolated: - counting - reset of current values counter - reset of cycles counter - reset of totalizer counter - common
Input levels	<u>low level</u> : 0V ÷ 1 V; <u>high level</u> : 10V ÷ 30V (12 mA @ 24V)
Input frequency	<u>electronic sensor</u> : 10 kHz <u>contact sensor</u> : max. 90 Hz (adjustable filter)
Binary outputs	4 x REL $I_{max}=1A$, $U_{max}=30VDC/250VAC$ ($\cos\phi=1$) or OC $I_{max}=30mA$, $U_{max}=30VDC$, $P_{max}=100mW$
Power supply output	24V DC +5%, -10% / max. 100 mA, stabilized
Communication interface	RS-485, 8N1 and 8N2, 1200 bit/s ÷ 115200 bit/s, Modbus RTU (not galvanically isolated)
Data memory	non-volatile memory, EEPROM type
Operating temperature	0°C ÷ +50°C (standard), -20°C ÷ +50°C (option)
Storage temperature	-10°C ÷ +70°C (standard), -20°C ÷ +70°C (depending on option)
Protection class	IP 65 (front), available additional frame IP 65 for panel cut-out sealing; IP 20 (case and connection dips)
Case	panel mounting; material: NORYL - GFN2SE1
Dimensions	<u>case (WxHxD)</u> : 96 x 48 x 100 mm <u>panel cut-out dimensions</u> : 90,5 x 43 mm <u>installation depth</u> : min. 102 mm <u>board thickness</u> : standard 7 mm or other depending on used board thickness brackets (see Accessories)
Weight	220 g max.

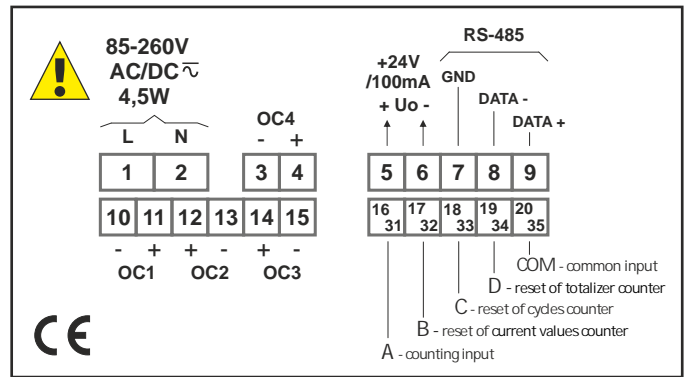
DIMENSIONS



EXAMPLARY PIN ASSIGNMENT



version with 4 x REL



version with 4 x OC

ORDERING

SLB-94-144X-1-X-XX1

options:

- 00: no options
- 01 : IP 65 frame
- 08: operating temp. -20°C ÷ +50°C
- 0P : IP 65 frame + operating temp. -20°C ÷ +50°C

power supply:

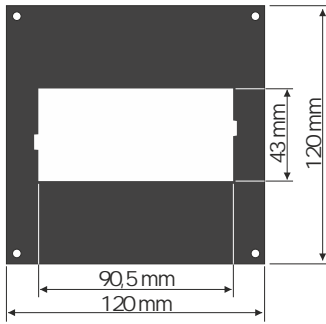
- 3: 24V AC/DC
- 4: 85V - 260V AC/DC

type of outputs:

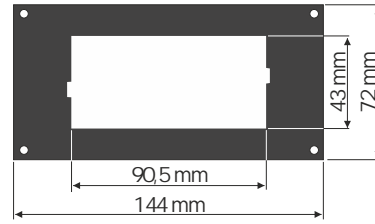
- 1 : REL
- 2: OC



MOUNTING PLATES



SMP-99/94
to mount 96 x 48 mm
size unit in place
of 96 x 96 mm cut-out



SMP-147/94
to mount 96 x 48 mm
size unit in place
of 144 x 72 mm cut-out

BOARD THICKNESS BRACKETS / ADAPTORS



SPH-07
1 ÷ 7 mm board thickness
brackets (2 pcs)
standard included with device



SPH-45
1 ÷ 45 mm board thickness
brackets (2 pcs)

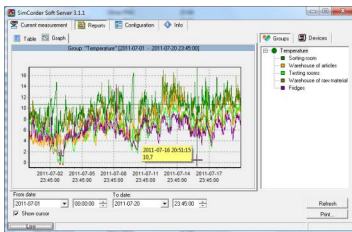


SPH-05
1 ÷ 5 mm board thickness
brackets (2 pcs)



SRH-94
brackets for mounting devices
on DIN 35/7.5 or 15 rail (2 pcs)

SOFTWARE



SimCorder Soft is a visualisation application created to facilitate work with advanced networks of the SIMEX devices, for acquisition, visualisation, reporting, archiving, exporting and printing of measurement data from all network devices. You can download measurements from the devices automatically or on demand. There is a possibility of immediate notification about emergency states via SMS or e-mail, which will often allow to quickly resolve an arising problem while avoiding long and expensive stoppages. You can view the measurement data, emergency states and configuration via the internet at every time.

CONVERTERS



The SRS-U4 converter is designed to connect a USB host to slave devices equipped with RS-485 interface. The PC with special software can be used as a host. The SRS-U4 unit guarantees full galvanic isolation between USB and RS-485 circuits. The converter can work with any devices equipped with RS-485 interface and contains integrated circuit which supports USB 1.1 and USB 2.0 standards. The main purpose is connection of PC host computer with industrial data acquisition and visualisation systems based on RS-485 interface.

The SRS-U4 can be also manufactured with DIN mounting adaptor.

