



IR remote controller  
SIR-15

## SWS-457

- indicator in tight wall-mounted case **IP 67**
- multicolour or ultra bright red, green and blue, 57 mm LED display
- power supply output: 24V DC
- RS-485 / Modbus RTU
- MASTER / SLAVE
- adjustment of colours and brightness for the display
- password protected
- free configuration software S-Config

The SWS-457 is a simple digital panel indicator intended for displaying any numerical values and characters defined by user (in SLAVE mode only) sent from the master device over the RS-485 serial interface link. The displayed value may be collected from other device (in MASTER mode). As a main advantage, this device is equipped with a large, 57 mm high display offering ultra bright red, green and blue as well as multicolour LED's. User can change display colour in 9 steps range (through light green, yellow and through green) and display brightness in 8 steps range. Thanks to the tight housing with high (IP 67) protection degree, this device is particularly suitable for operations in harsh environments. The 24V DC / 100 mA output is designed to supply measuring transducers, and the RS-485 port enables data transmission in production process monitoring systems. The meter may be configured with no need to open the case, by using the remote controller or with free S-Config software via the RS-485 communication port.

### TECHNICAL DATA

Power supply / Power consumption	19V ÷ 50V DC; 16V ÷ 35V AC or 85 ÷ 260V AC/DC, all separated for 19V ÷ 50V DC: max. 13,5 W; for 16V ÷ 35V AC: max. 19,5 VA; for 85 ÷ 260V AC/DC: max. 21 VA
Display	LED, 4 x 57 mm, ultra bright (red, green, blue) or multicolour with 9-step adjustment of colours and 8-step of brightness (according to order)
Displayed values	4 digits (-999 ÷ 9999 plus decimal point) or any of character indication in range of 7-segments display
Power supply output	24V DC +5%, -10% / max. 100 mA, stabilized
Communication interface	RS-485, Modbus RTU (not galvanically isolated)
Transmission speed	adjustable in range from 1200 to 115200 bit/sek.
Transmission parameters	8N1 and 8N2
Operating temp.	0°C ÷ +50°C (standard), -20°C ÷ +50°C (option)
Storage temp.	-10°C ÷ +70°C (standard), -20°C ÷ +70°C (depending on option)
Protection class	IP 67
Case	wall mounting; material: ABS + polycarbonate (standard); 100% polycarbonate (on request)
Dimensions (WxHxD)	230 x 140 x 96,5 mm
Weight	1176 g max.



**LED DISPLAY VERSIONS**

**1. Ultra bright display**



red



green

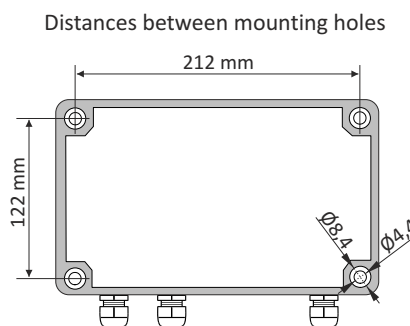
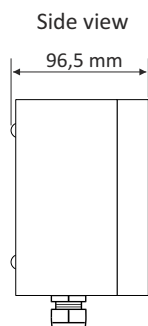
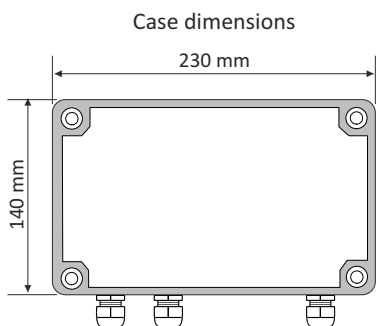


blue

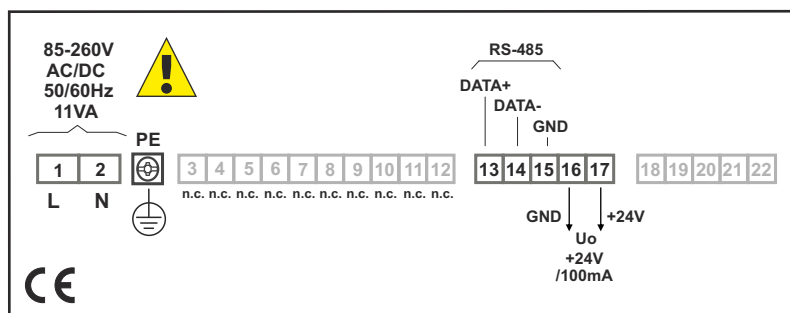
**2. Multicolour display**

Device is also equipped with a display offering multicolour LED's. It allows any colour settings in the range of red to green with additional levels of 7 colours in between. An interesting feature is also change the display colour depending on the state of control outputs, such as alarm state will change from green to red, or otherwise declared by the user.

**DIMENSIONS**



**EXAMPLARY PIN ASSIGNMENTS**



**ORDERING**

SWS-457-X-00-00000-10-X-XX1

**display colour:**

- R : red, ultra bright
- G : green, ultra bright
- B : blue, ultra bright
- M : multicolour

**options:**

- 00 : no options
- 08 : operating temp. -20°C ÷ +50°C

**power supply:**

- 3 : 24V AC/DC
- 4 : 85V - 260V AC/DC



## REMOTE CONTROLLER

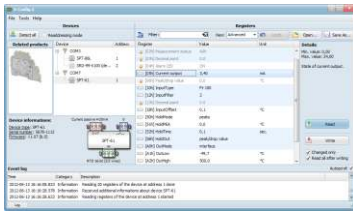


### SIR-15

InfraRed remote controllers may be used as external programming keyboard for all SIMEX devices equipped with IR receivers and remote programming functions. Pressing of any local IR controller key, causes transmission of its code to the device. Functions of particular keys depend on devices features.

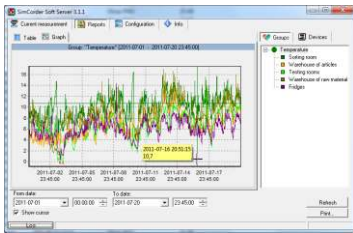
Power supply voltage: 6V DC - 4 alkaline batteries type LR44  
 Operation range: from 0,5 to 5 m (depend on programmed device features)

## SOFTWARE



**S-Config 2** is used for the simultaneous detection of devices in multiple Modbus RTU networks and allows user to change the configuration of most of them. For each detected device a list of its registers, which the user can modify, is displayed and also additional informations about device parameters (type, address in the network, etc.).

**S-Config** software can be downloaded from SIMEX website at [www.simex.pl](http://www.simex.pl)



**SimCorder Soft** is a visualisation application created to facilitate work with advanced networks of the SIMEX devices, for acquisition, visualisation, reporting, archiving, exporting and printing of measurement data from all network devices. You can download measurements from the devices automatically or on demand. There is a possibility of immediate notification about emergency states via SMS or e-mail, which will often allow to quickly resolve an arising problem while avoiding long and expensive stoppages. You can view the measurement data, emergency states and configuration via the internet at every time.

## CONVERTERS



The **SRS-U4** module is designed to connect a USB host to slave devices equipped with RS-485 interface. The PC with special software can be used as a host. The **SRS-U4** unit guarantees full galvanic isolation between USB and RS-485 circuits. The converter can work with any devices equipped with RS-485 interface and contains integrated circuit which supports USB 1.1 and USB 2.0 standards. The main purpose is connection of PC host computer with industrial data acquisition and visualisation systems based on RS-485 interface.

The **SRS-U4** can be also manufactured with DIN mounting adaptor.

