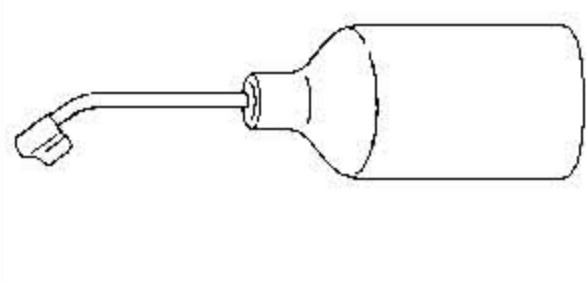

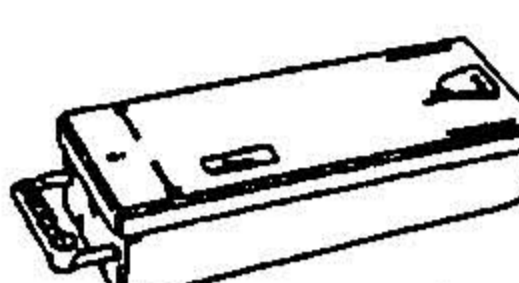
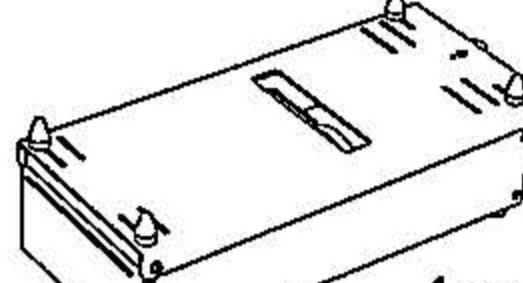








# OTHER OPTIONAL PARTS

<b>B0116</b> B0116 1pc. B0117A 1pc. B0117B 1pc. B0117C 4pcs.	<b>B0117</b> B0117A 1pc. B0117B 1pc. B0117C 4pcs.	<b>B0122</b> 
--	--	---

<b>B0208</b> 	<b>B0236BK</b> 	<b>B0237BK</b> 
--	---	---

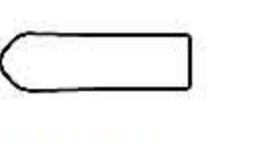


<b>B0244</b> 	<b>B0301</b> 	<b>B0303</b> 
--	---	---

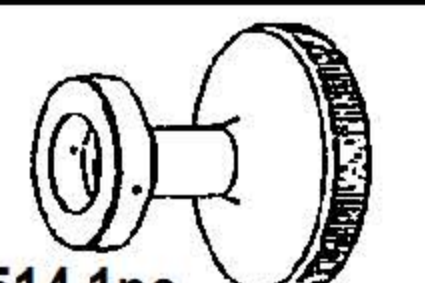
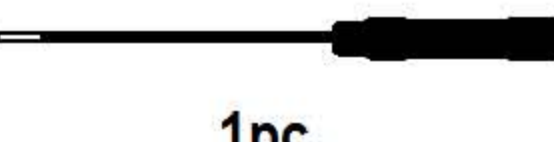
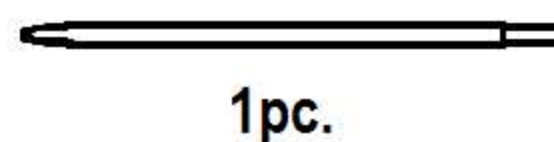
<b>B0310~</b> 	<b>B0330~</b> 	<b>B0341~</b> 
---	--	--

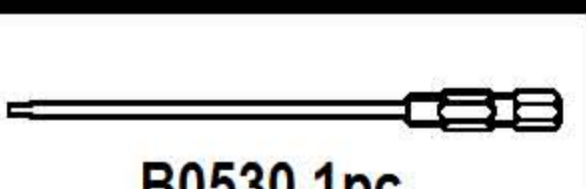
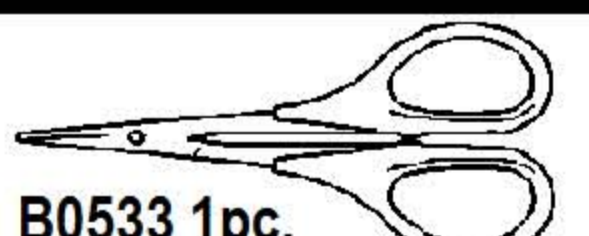
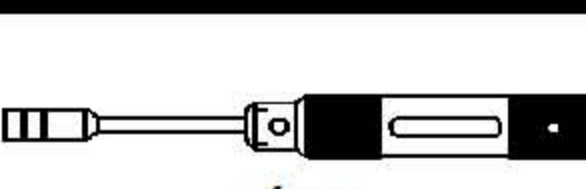
<b>B0401</b> 	<b>B0406</b> 	<b>B0407~</b> 
--	---	--

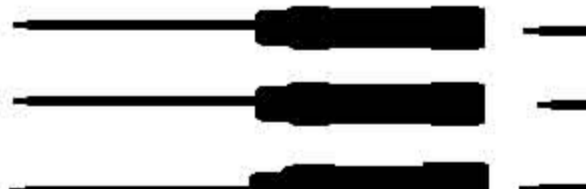
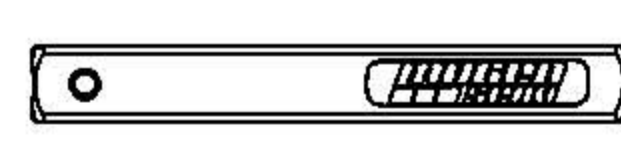
<b>B0413</b> 	<b>B0422</b> 	<b>B0428</b> 
---	---	---


<b>B0429</b> B0429 1pc.	B0430F 1pc.	B0430H 1pc.	B0430S 1pc.
	B0430J 1pc.	B0430K 1pc.	

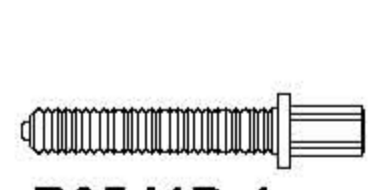
<b>B0432</b> 	<b>B0509</b> 	<b>B0510</b> 
--	---	---

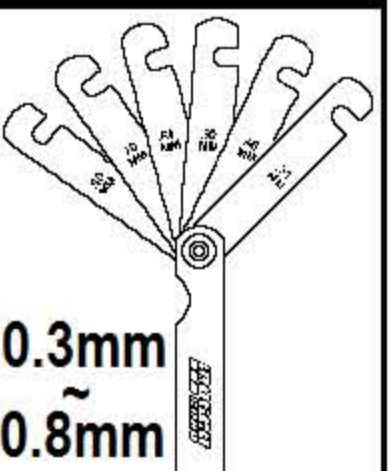
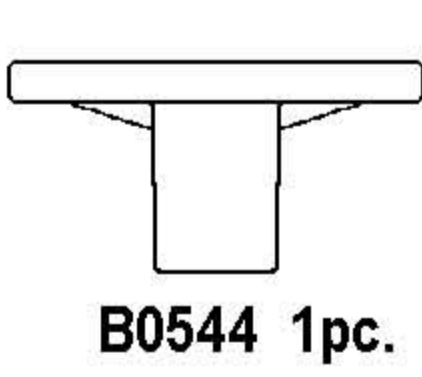
<b>B0514</b> 	<b>B0522~</b> 	<b>B0522/1~</b> 
--	--	--

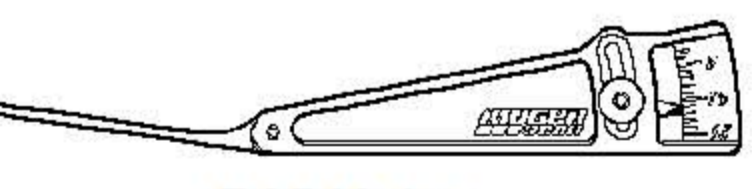
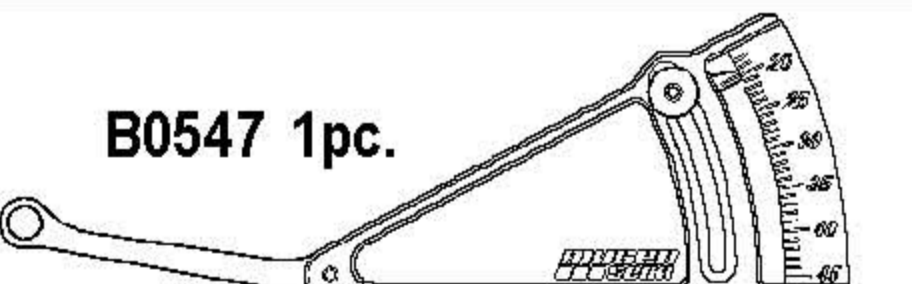
<b>B0530~</b> 	<b>B0533</b> 	<b>B0535~</b> 
---	---	--



<b>B0538</b> 	<b>B0539</b> 
--	---

<b>B0540</b> 	<b>B0541</b> B0541D 1pc. B0541 1set RW-14 1pc.
--	--

<b>B0541 D</b> 	<b>B0542</b> B0542A 1pc. B0512B 1pc. SiG3x6 1pc. SK4x5 1pc.
--	---

<b>B0543</b> 	<b>B0544</b> 	<b>B0545</b> B0545A 1pc. B0545B 1pc. B0545C 1pc. SiG3x6 1pc. SK4x5 1pc.
--	---	---

<b>B0546</b> 	<b>B0547</b> 
--	---

<b>B0548</b> 	<b>B0549</b> 
--	---

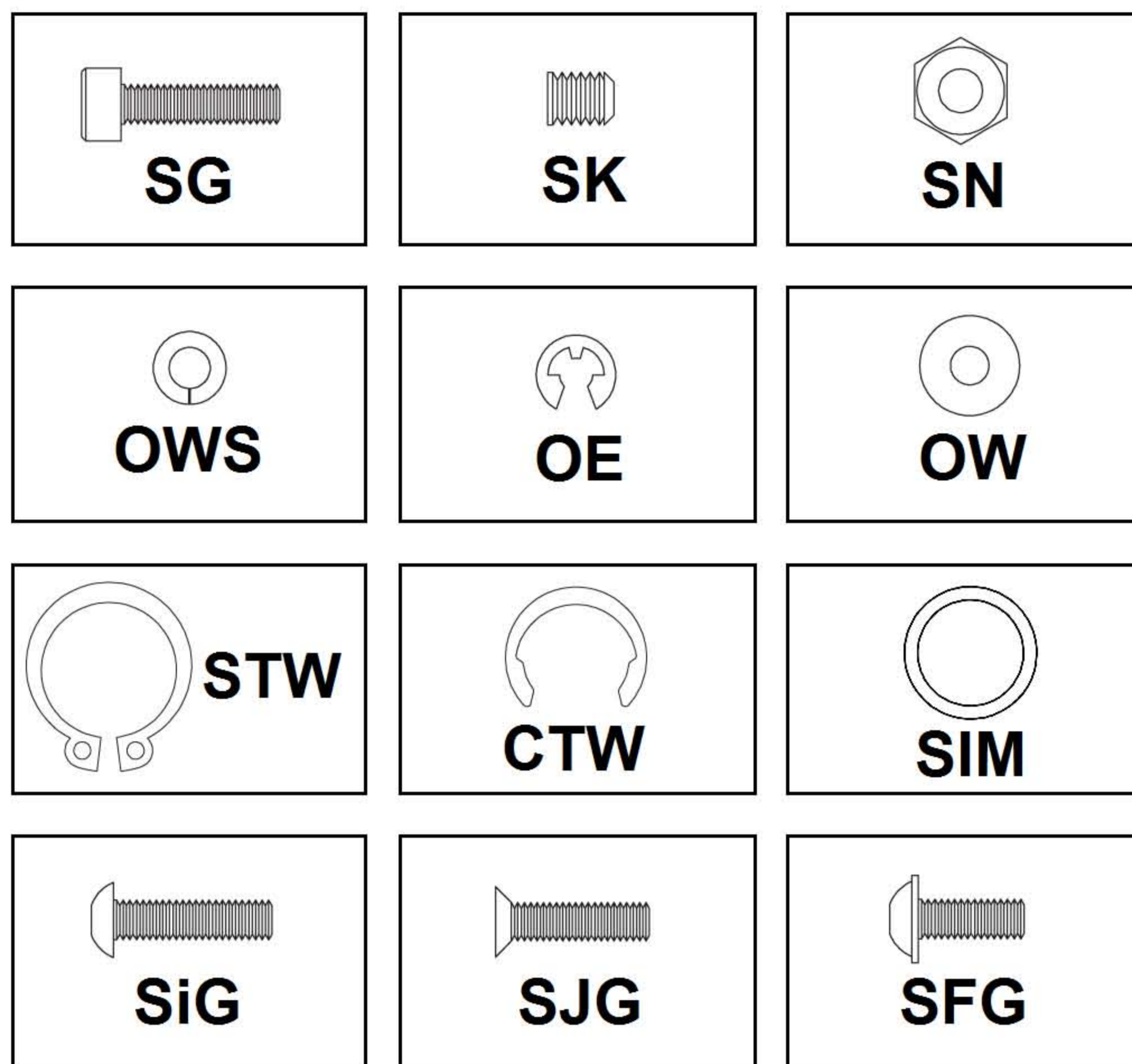
<b>B0552</b> B0552A 1pc. SG2x6 1pc. B0552B 1pc. SiG3x8 1pc.	<b>B0553</b> B0553A 1pc. SG2x6 1pc. B0552B 1pc. SiG3x8 1pc.
--	--

<b>B0554</b> B0554A 1pc. B0554B 1pc. SK4x5 1pc. B0545C 1pc.	<b>B0555</b> B0555A 1pc. B0555B 1pc.
--	---

- B0116 PRESSURE CHAMBER SET
- B0117 PRESSURE CHAMBER MOUNT
- B0122 FUEL BOTTLE 500ml
- B0208 ADAPTER FOR POCKET BOOSTER
- B0236BK PRO STARTER R3
- B0237BK PRO STARTER B3
- B0244 POCKET BOOSTER
- B0244/1 POCKET BOOSTER (WITH BATTERY)
- B0301 LOCK FIRM LIQUID
- B0303 ENGINE MAINTENANCE OIL
- B0310a SUPER SILICONE #100
- B0311a SUPER SILICONE #150
- B0312a SUPER SILICONE #200
- B0313a SUPER SILICONE #250
- B0314a SUPER SILICONE #300
- B0315a SUPER SILICONE #350
- B0316a SUPER SILICONE #400
- B0317b SILICONE FOR DIFF. #10000
- B0318b SILICONE FOR DIFF. #30000
- B0319b SILICONE FOR DIFF. #50000
- B0320c SILICONE FOR DIFF. #100000
- B0321 SILICONE FOR DIFF. #3000
- B0322 SILICONE FOR DIFF. #5000
- B0323a SILICONE FOR DIFF. #7000
- B0324 SILICONE FOR DIFF. #1000
- B0325 SUPER SILICONE #500
- B0326 SUPER SILICONE #600
- B0327 SUPER SILICONE #700
- B0328 SUPER SILICONE #800
- B0330 SUPER JOINT GREASE
- B0332 SUPER SILICONE #450
- B0333 SUPER SILICONE #550
- B0334 SILICONE FOR DIFF. #2000
- B0335 SILICONE FOR DIFF. #4000
- B0337a SILICONE FOR DIFF. #15000
- B0338a SILICONE FOR DIFF. #20000
- B0339 PREMIUM GREASE
- B0340 SUPER ONE-WAY GREASE
- B0341b SILICONE FOR DIFF. #60000
- B0343b SILICONE FOR DIFF. #80000
- B0345 SILICONE FOR DIFF. #200000
- B0347a SILICONE FOR DIFF. #300000
- B0348 SUPER SILICONE #650
- B0349a SILICONE FOR DIFF. #1000000
- B0350 SILICONE FOR DIFF. #6000
- B0351a SILICONE FOR DIFF. #500000
- B0401 SWITCH COVER
- B0406 BOTH SIDE TAPE
- B0407 FLAT WASHER 3mm
- B0408 FLAT WASHER 4mm
- B0413 COLOR SILICONE PIPE GRAY
- B0422 BODY PIN S
- B0428 VELCRO TAPE
- B0429 AL. SERVO HORN SET
- B0430 SERVO HORN PARTS
- B0432 ANTENNA CAP (5pcs.)
- B0509 SETTING DRIVER FOR ENGINE
- B0510 CAMBER GAUGE
- B0514 CLUTCH SPRING ADJ. TOOL
- B0522 (-) 0.5 SCREW DRIVER
- B0523 1.5mm Hex. WRENCH
- B0524 2.0mm Hex. WRENCH
- B0525 2.5mm Hex. WRENCH
- B0526 3.0mm Hex. WRENCH
- B0527 2.0mm Ball-Hex. WRENCH
- B0528 2.5mm Ball-Hex. WRENCH
- B0522/1 (-) 0.5 SCREW DRIVER TIP
- B0523/1 1.5mm Hex. WRENCH TIP
- B0524/1 2.0mm Hex. WRENCH TIP
- B0525/1 2.5mm Hex. WRENCH TIP
- B0526/1 3.0mm Hex. WRENCH TIP
- B0527/1 2.0mm Ball-Hex. WRENCH TIP
- B0528/1 2.5mm Ball-Hex. WRENCH TIP
- B0530 2.0mm Hex. WRENCH TIP FOR ELECTRIC DRIVER
- B0531 2.5mm Hex. WRENCH TIP FOR ELECTRIC DRIVER
- B0533 CURVED SCISSORS
- B0535 BOX WRENCH 5.5mm
- B0536 BOX WRENCH 7.0mm
- B0537 BOX WRENCH 5.0mm
- B0538 PROSPEC Hex. WRENCH SET
- B0539 HEIGHT GAUGE SPACER
- B0540 HEIGHT GAUGE
- B0541 PIN REPLACEMENT TOOL
- B0541D SPARE TIP FOR PIN REPLACEMENT TOOL

- B0542 PINION GEAR TOOL (MTX6/5)
- B0543 THICKNESS GAUGE (FOR CLUTCH)
- B0544 WHEEL NUT WRENCH
- B0545 PINION GEAR TOOL (MRX/MGT7)
- B0546 RIDE HEIGHT GAUGE R
- B0547 RIDE HEIGHT GAUGE B
- B0548 REBOUND STOP GAUGE
- B0549 TURN BUCKLE WRENCH FOR (4mm)
- B0552 ADJ. SERVO HORN AL. 23T(SANWA/KO)
- B0553 ADJ. SERVO HORN AL. 25T(FUTABA)
- B0554 PINION GEAR FOR TOOL MRX (0.8M)
- B0555 8mm/9mm WRENCH (MTC2)

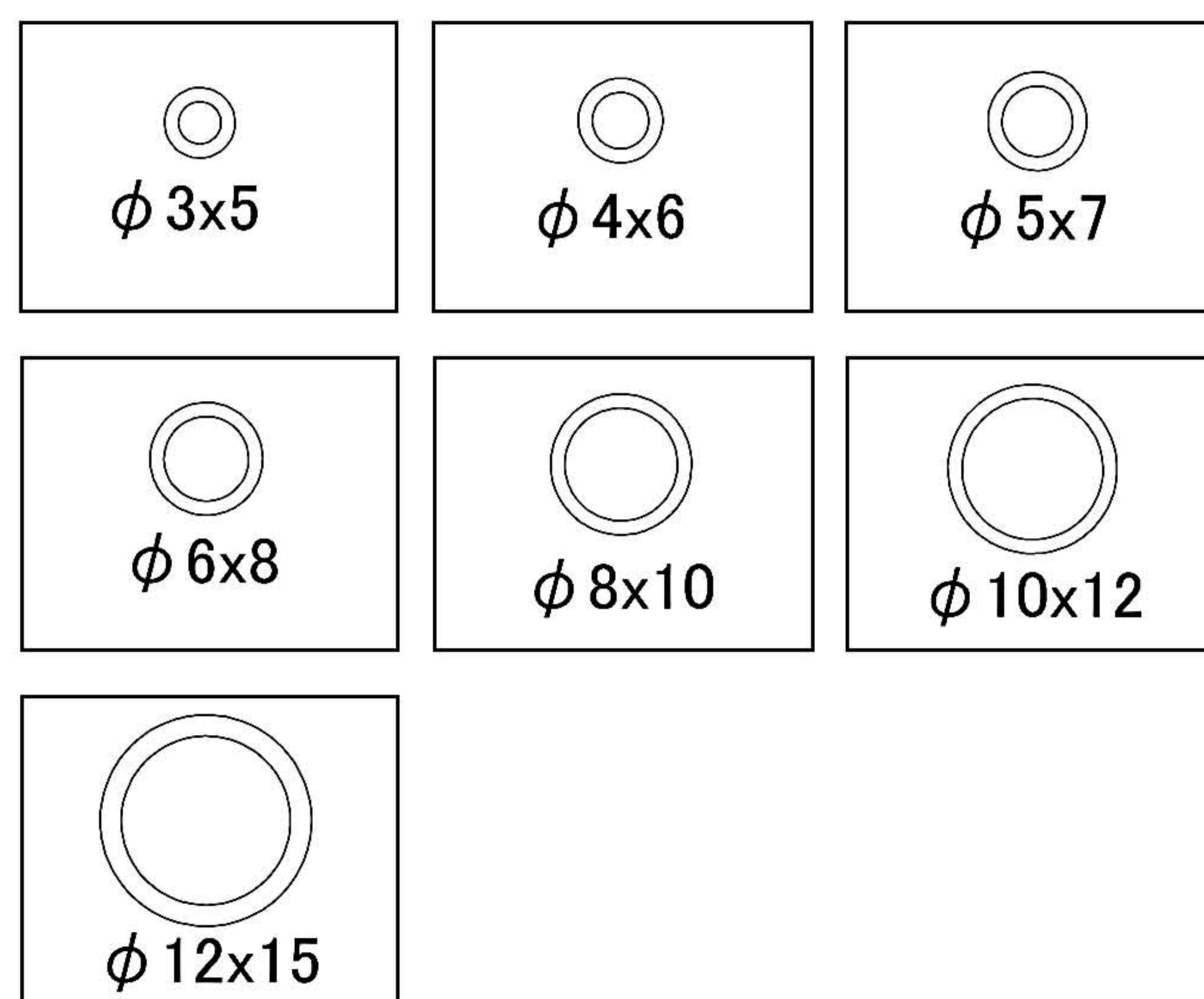
## OTHER OPTIONAL PARTS



B0660 SG3x10 CAP SCREW  
 B0661 SG3x23 CAP SCREW  
 B06601 SG3x25 CAP SCREW  
 B06602 SG2x6 CAP SCREW  
 B06603 SG2.5x6 CAP SCREW  
 B06604 SG2x8 CAP SCREW  
 B06605 SG3x18 CAP SCREW  
 B06606 SG2x10 CAP SCREW  
 B06607 SG2.5x10 CAP SCREW  
 B06608 SG2x4 CAP SCREW (8pcs.)  
 B0662 SG3x8 CAP SCREW  
 B0663 SG3x12 CAP SCREW  
 B0664 SG3x16 CAP SCREW  
 B0665 SG2.6x12 CAP SCREW  
 B0668 SG2x5 CAP SCREW  
 B0670 SK3x3 SET SCREW  
 B06701 SK3x4 SET SCREW  
 B0671 SK3x5 SET SCREW  
 B0672 SK3x12 SET SCREW  
 B0673 SK3x8 SET SCREW  
 B0674 SK3x2.6 SET SCREW (6pcs.)  
 B0675 SK3x16 SET SCREW  
 B0676 SK3x6 SET SCREW  
 B0677 SK3x10 SET SCREW  
 B0680 SK4x4 SET SCREW  
 B0681 SK4x5 SET SCREW  
 B0682 SK4x8 SET SCREW  
 B0690 SK5x5 SET SCREW  
 B0712 SN2.6 NYLON NUT  
 B0713 SN3 NYLON NUT  
 B0714 SN4 NYLON NUT  
 B0716 AL. FLANGE NUT 4mm (5pcs.)  
 B07201 OWS3 SPRING WASHER  
 B07202 OE-2.3 E-RING  
 B0722 OE-2.5 E-RING  
 B0723 OW3x8x0.5 WASHER  
 B0724 OE-3 E-RING  
 B0725 OW2.5x6x0.5 WASHER  
 B0726 OE-5 E-RING  
 B0727 OE-7 E-RING  
 B0728 STW-14 SNAP RING (5pcs.)  
 B0729 CTW-46 C-RING  
 B0730 SiG3x8 B/H SCREW  
 B07301 SiG3x23 B/H SCREW  
 B07303 SiG4x10 B/H SCREW  
 B07304 SiG2.5x8 B/H SCREW  
 B07305 SiG3x5 B/H SCREW  
 B07306 SiG2x6 B/H SCREW (8pcs.)  
 B07307 SiG2x3 B/H SCREW (8pcs.)  
 B0731 SiG3x10 B/H SCREW  
 B0732 SiG3x12 B/H SCREW  
 B0733 SiG3x14 B/H SCREW  
 B0734 SiG3x16 B/H SCREW  
 B0735 SiG3x18 B/H SCREW  
 B0736 SiG3x6 B/H SCREW  
 B0737 SiG3x20 B/H SCREW  
 B0738a SiG3x25 B/H SCREW  
 B0739 SiG3x4 B/H SCREW  
 B0740 SJG3x8 F/H SCREW  
 B07401 SJG2x8 F/H SCREW (8pcs.)  
 B0741 SJG3x10 F/H SCREW  
 B0742 SJG3x6 F/H SCREW  
 B0743 SJG3x12 F/H SCREW  
 B0746 SJG4x8 F/H SCREW  
 B0747 SJG4x10 F/H SCREW  
 B0748 SJG4x15 F/H SCREW  
 B0749 SJG4x20 F/H SCREW  
 B0750 SJG4x12 F/H SCREW  
 B0752 SJG3x16 F/H SCREW  
 B0753 SJG3x5 F/H SCREW  
 B0754 SJG2x6 F/H SCREW  
 B0755 SJG2.5x8 F/H SCREW  
 B0756 SJG3x14 F/H SCREW  
 B0757 SJG2x10 F/H SCREW (8pcs.)  
 B0758 SJG2x16 F/H SCREW (8pcs.)  
 B0759 SJG2.5x6 F/H SCREW  
 B0761 SFG3x6 BF/H SCREW  
 B0762 SFG3x8 BF/H SCREW

B0730Ta SiG3x8 B/H TITANIUM SCREW  
 B07301Ta SiG3x23 B/H TITANIUM SCREW  
 B07302Ta SiG3x28 B/H TITANIUM SCREW  
 B07303T SiG3x5 B/H TITANIUM SCREW  
 B0731Ta SiG3x10 B/H TITANIUM SCREW  
 B0732Ta SiG3x12 B/H TITANIUM SCREW  
 B0733Ta SiG3x14 B/H TITANIUM SCREW  
 B0734Ta SiG3x16 B/H TITANIUM SCREW  
 B0735Ta SiG3x18 B/H TITANIUM SCREW  
 B0736Ta SiG3x6 B/H TITANIUM SCREW  
 B0737Ta SiG3x20 B/H TITANIUM SCREW  
 B0738T SiG3x25 B/H TITANIUM SCREW  
 B0739T SiG3x4 B/H TITANIUM SCREW  
 B0740Ta SJG3x8 F/H TITANIUM SCREW  
 B0741Ta SJG3x10 F/H TITANIUM SCREW  
 B0742Ta SJG3x6 F/H TITANIUM SCREW  
 B0743Ta SJG3x12 F/H TITANIUM SCREW  
 B0746T SJG4x8 F/H TITANIUM SCREW (4pcs.)  
 B0747T SJG4x10 F/H TITANIUM SCREW  
 B0748T SJG4x15 F/H TITANIUM SCREW  
 B0750T SJG4x12 F/H TITANIUM SCREW  
 B0751T SJG3x32 F/H TITANIUM SCREW (4pcs.)  
 B0752Ta SJG3x16 F/H TITANIUM SCREW  
 B0753Ta SJG3x5 F/H TITANIUM SCREW  
 B0756Ta SJG3x14 F/H TITANIUM SCREW  
 B0763T SJG4x20 F/H TITANIUM SCREW (4pcs.)

## NEW PARTS



B0763 SHIM SET  $\phi$  3x5 (0.1/0.2/0.3 10ea.)  
 B0764 SHIM SET  $\phi$  4x6 (0.1/0.2/0.3 10ea.)  
 B0765 SHIM SET  $\phi$  5x7 (0.1/0.2/0.3 10ea.)  
 B0766 SHIM SET  $\phi$  6x8 (0.1/0.2/0.3 10ea.)  
 B0767 SHIM SET  $\phi$  8x10 (0.1/0.2/0.3 10ea.)  
 B0768 SHIM SET  $\phi$  10x12 (0.1/0.2/0.3 10ea.)  
 B0769 SHIM SET  $\phi$  12x15 (0.1/0.2/0.3 10ea.)