

SL-SPOT06-WW3W-ZN21



Type of light source:

Lighting technology used:
LED

Non-directional or directional:
NDLS

Mains or non-mains:
NMLS

Connected light source (CLS):
no

Colour-tuneable light source:
no

Envelope:
no

High luminance light source:
no

Anti-glare shield:
no

Dimmable:
yes

Product parameters:

Energy consumption in on-mode (kWh/1 000 h):
3

Energy efficiency class:
G

Useful luminous flux:
220 lumen (Sphere (360°))

Correlated colour temperature:
3000K

On-mode power (P_{on}) in W:
3

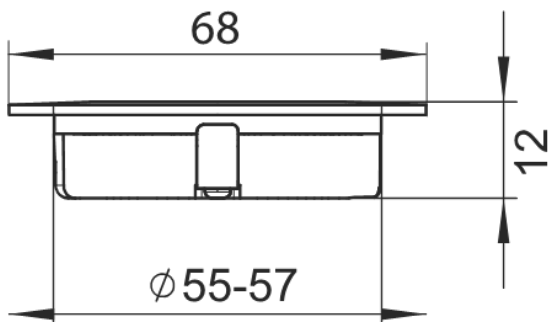
Standby power (P_{sb}) in W:
0

Networked standby power (P_{net}) for CLS in W:
0

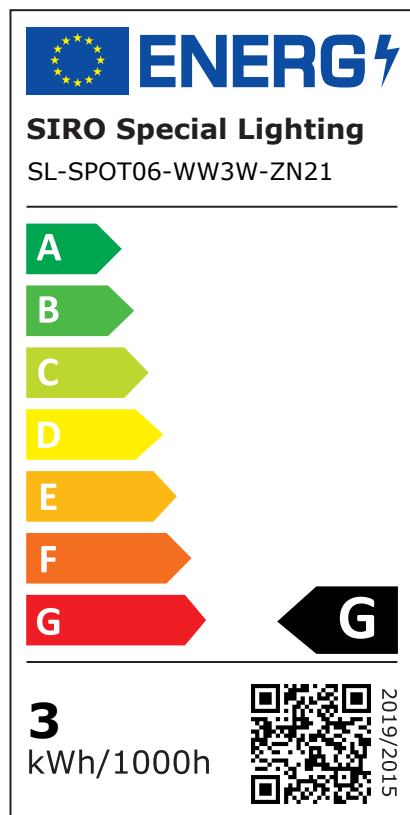
Colour rendering index:
85

Outer dimensions (length | width | height):
68 mm | 0 mm | 11 mm

Technical drawing



Energy Label



Installation diameter:
55 mm

Installation depth:
12 mm

Connection cable:
2000 mm

IP protection class:
IP44(front), IP20

Division every mm:
-

Number of LEDs per metre:
-

Operating temperature:
-

Storage temperature:
-

Net weight:
37 g

EAN Code:
9002843422682

Claim of equivalent power:
no

If yes, equivalent power (W):
-

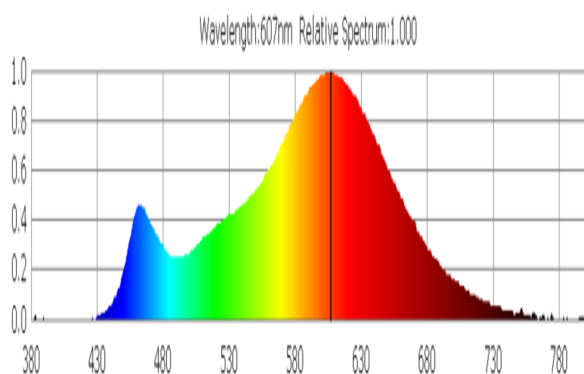
Chromaticity coordinates (x | y):
0,453 | 0,405

Parameters for directional light sources:

Peak luminous intensity (cd):
-

Beam angle:
110 °

Spectral power distribution:



Parameters for LED and OLED light sources:

R9 colour rendering index value:
10

Survival factor:
1

lumen maintenance factor:
0,94

L70B50-Lifespan:
15000 h

Parameters for LED and OLED mains light sources:

displacement factor (cos ϕ):
-

Colour consistency in McAdam ellipses:
-

LED replaces fluorescent light source:
no

If yes then replacement claim (W):
-

Flicker metric (Pst LM):
-

Stroboscopic effect metric (SVM):
-

Safety and installation instructions:

- >> This product is not a toy and is not suitable for children!
- >> The assembly must be carried out free of voltage!
- >> Do not mount the LED strips / plugs / cables on moving parts, free from tensile and torsional forces. Avoid mechanical stresses such as kinking, bending or chafing!
- >> The SIRO LED system is only suitable for indoor use. Unprotected use outdoors is not permitted. Contact with moisture must be avoided at all costs!



SL-NT24CV20W-DB1

Power supply 20 watt white



PRODUCT FEATURES

- „Power supply 20 Watt incl. 2 m connection cable
- „Short circuit protection
- „Over load protection
- „ 6 compartment distribution box for connection of 24V DC SIRO Receiver and 24V DC MONO Led products without control

TECHNICAL DATA

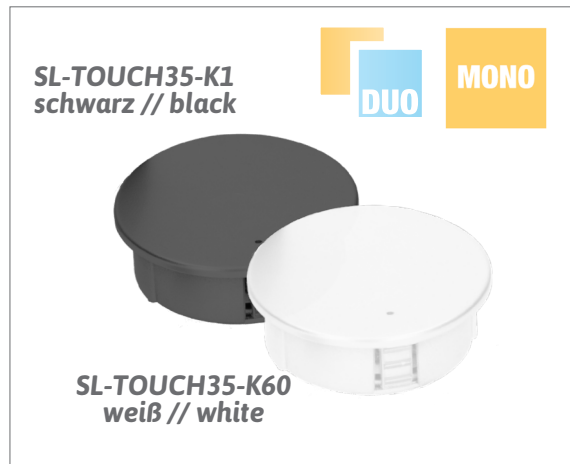
- » Light type: LED
- » Input voltage: 220 - 240 VAC
- » Output voltage: 24V DC
- » Output current: 0,83 A
- » Power: 20 Watt
(10% reserve recommended)
- » Efficiency:
- » Standby P:
- » No-load power P_{no}:
- » Networked standby power P_{net}:
- » Protection class: IP20
- » Power frequency input: 50Hz bis 60Hz
- » Housing color: weiß
- » Ambient temperature: -20° - +45° C
- » Safety: Short circuit protection, overload protection

DIMENSIONS & WEIGHT

- » Length: 140 mm
- » Width: 48 mm
- » Height: 14,5 mm
- » Weight in G:

SL-TOUCH35-K1 // SL-TOUCH35-K60

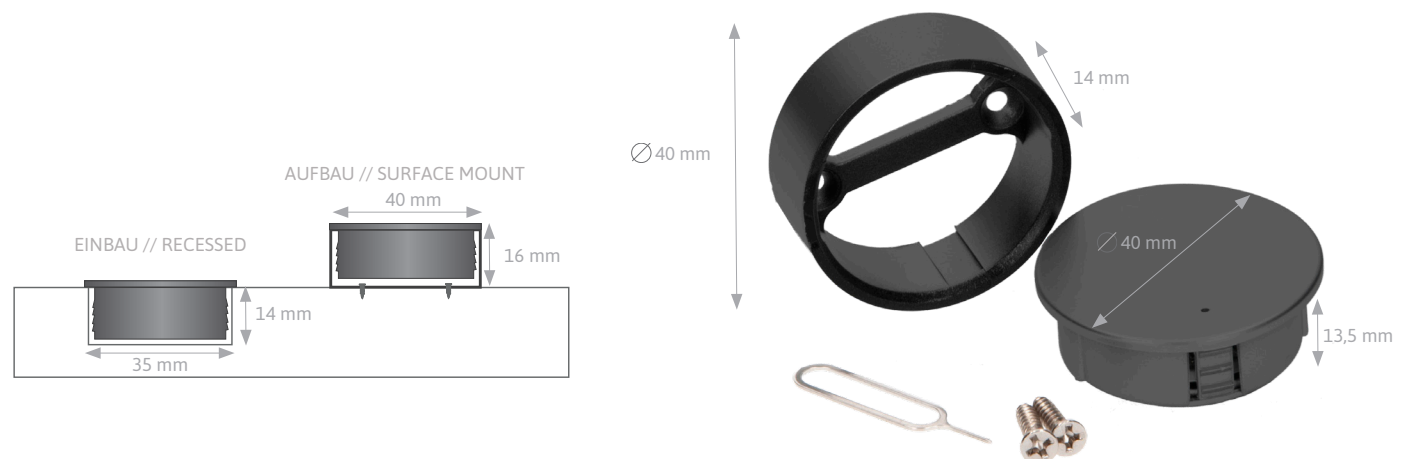
Control for SIRO REC02 Receiver



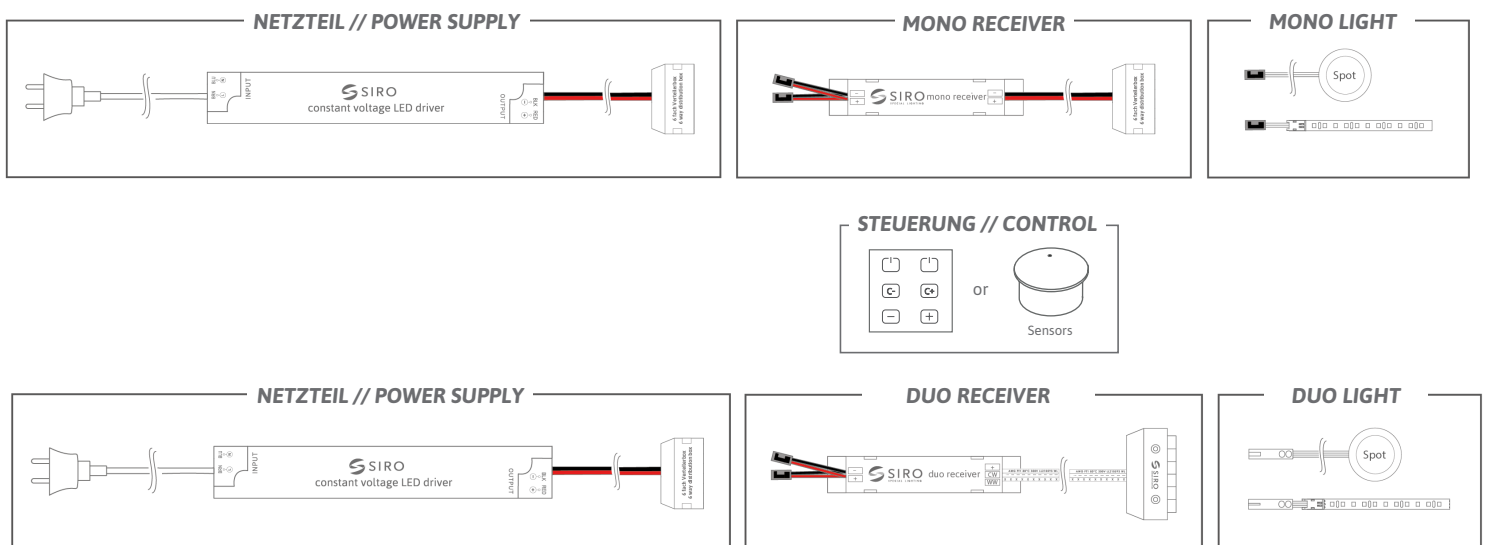
PRODUCT SPECIFICATION

- » SL-TOUCH35 controls coupled receivers by touch the sensor surface
- » Control of SIRO MONO and DUO REC02 RECEIVER (SL-REC02MONO // SL-REC02DUO)
- » Small, compact design, ideal for furniture applications
- » Can be milled in or used as a mounting variant with mounting ring
- » Quick and easy installation
- » Radio range up to 10 meters
- » Dimming function by holding down the sensor surface
- » Battery operated TYPE CR 3032
- » incl. mounting ring // mounting screws // pin needle

PRODUCT DIMENSIONS



CONNECTION OVERVIEW



SL-PIR35-K1 // SL-PIR35-K60

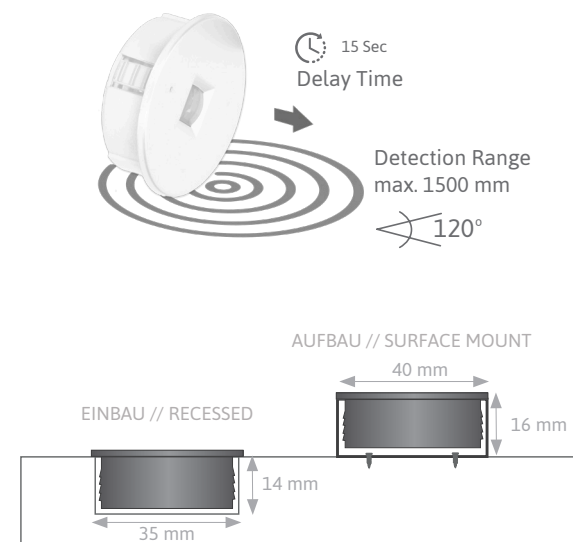
Control for SIRO REC02 Receiver



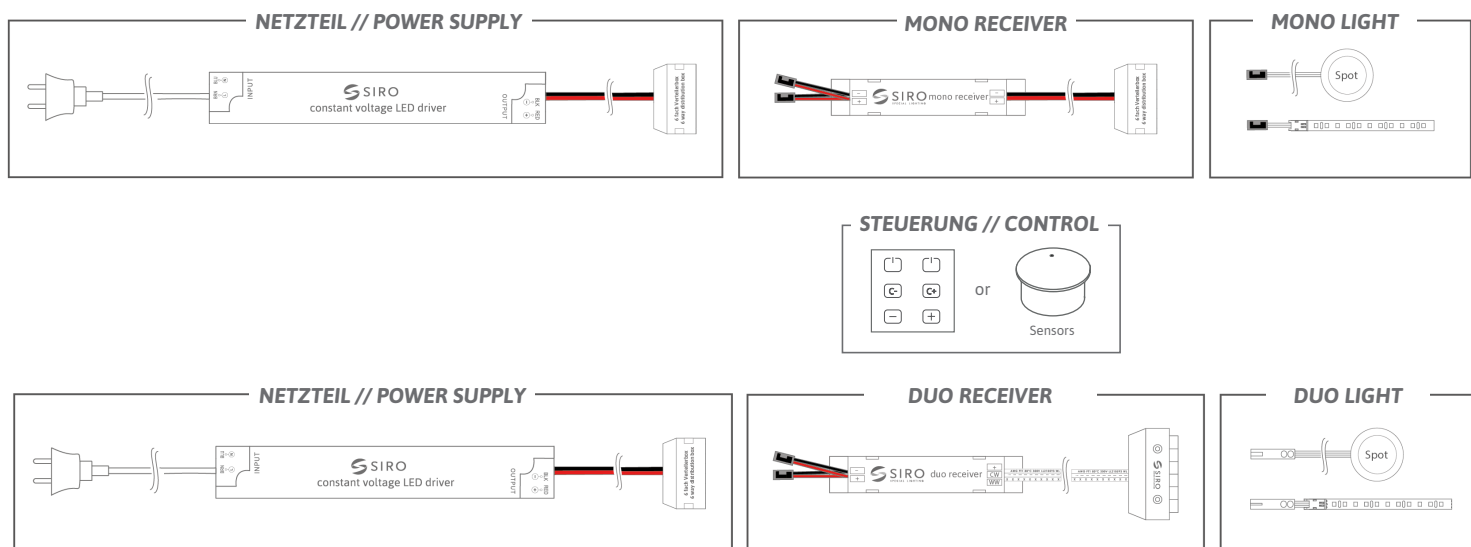
PRODUCT SPECIFICATIONS

- » SL-PIR35 controls coupled receivers by motion in the detection zone
- » Control of SIRO MONO and DUO REC02 RECEIVER (SL-REC02MONO // SL-REC02DUO)
- » Small, compact design, ideal for furniture applications
- » Can be milled in or used as a mounting variant with mounting ring
- » Quick and easy installation
- » Radio range up to 10 meters
- » Battery operated TYPE CR 3032
- » incl. mounting ring // mounting screws // pin needle

PRODUCT DIMENSIONS

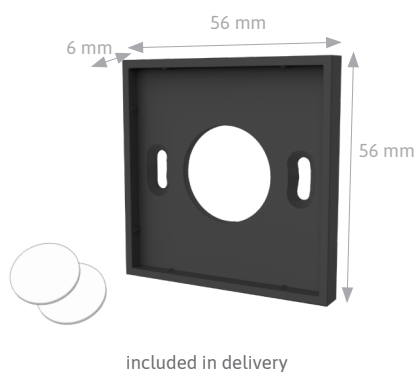


CONNECTION OVERVIEW



SL-SZ4MONO

Controller for SIRO REC02MONO Receiver



PRODUCT PROPERTIES

- » 4 area controller for SIRO MONO LED products
pro area the you need one SL-REC02MONO receiver
- » dim function (10 - 100%)
- » battery powered type CR 3032
- » can be combined with SIRO sensory products
- » assembled by screws or glue pads
(glue pads are included in delivery)

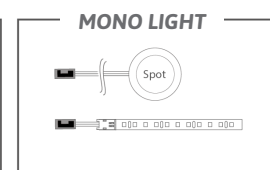
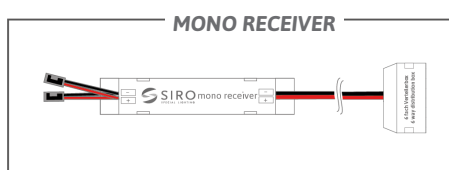
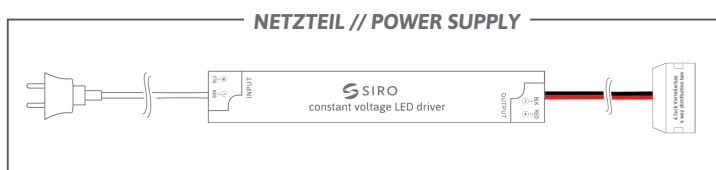
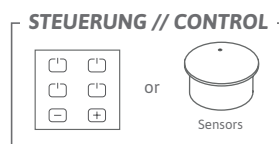
TECNICAL SPECIFICATIONS



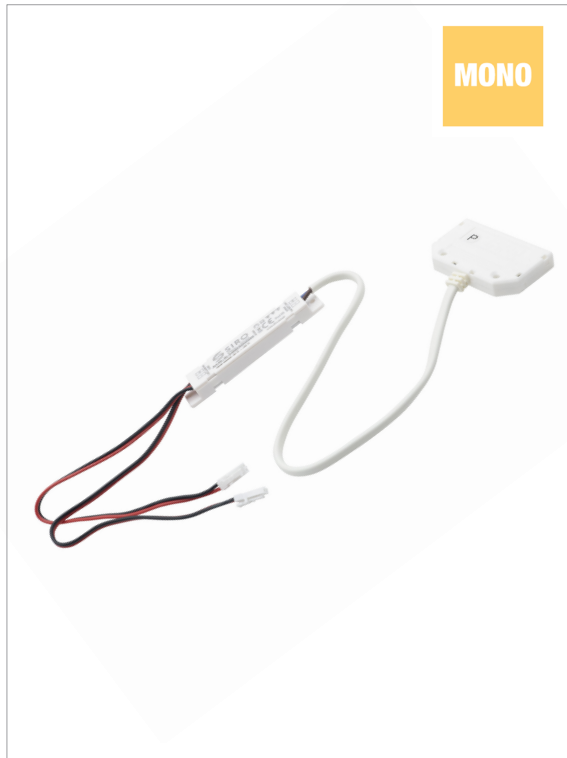
battery power CR 3032



CONNECTION OVERVIEW



SL-REC02MONO
RF Receiver for MONO light products



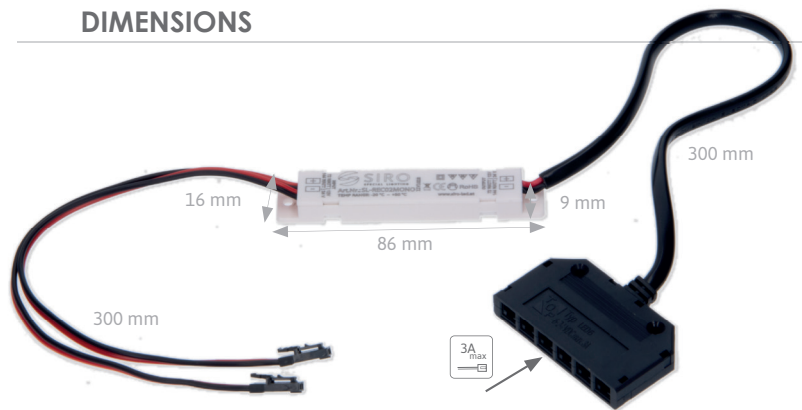
PRODUCT PROPERTIES

- » control of SIRO DUO LED light products with 4 area controller (SL-SZ4MONO)
or sensors (SL-MAG35 // SL-PIR35 // SL-TOUCH35)
- » can be controlled by up to 8 controllers
- » small, compact construction, ideal for furniture lighting
- » quick and simple installation through ready to plug system
- » wireless range up to 10 meters

TECHNICAL SPECIFICATIONS

- » Input:..... 12-24 VDC
2 x 300 mm connection cable with SIRO Mono plug
max 3 A per cable
- » output:..... 144 W / 24V DC
6-socket distributor box with 300 mm
connection cable for SIRO DUO light products

DIMENSIONS



CONNECTION OVERVIEW

