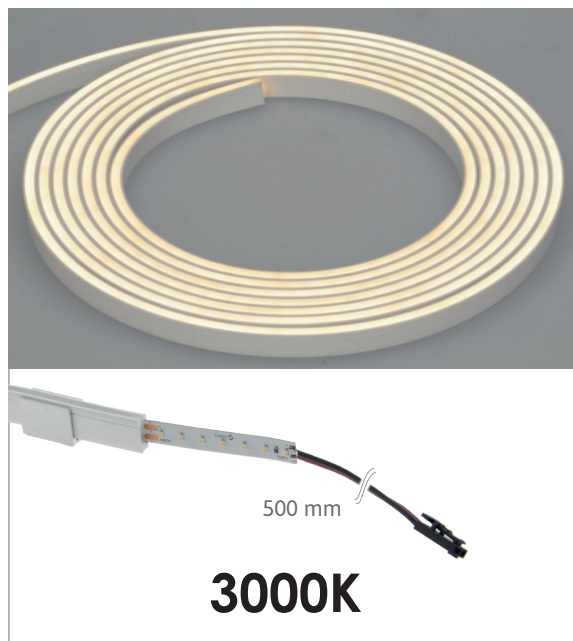
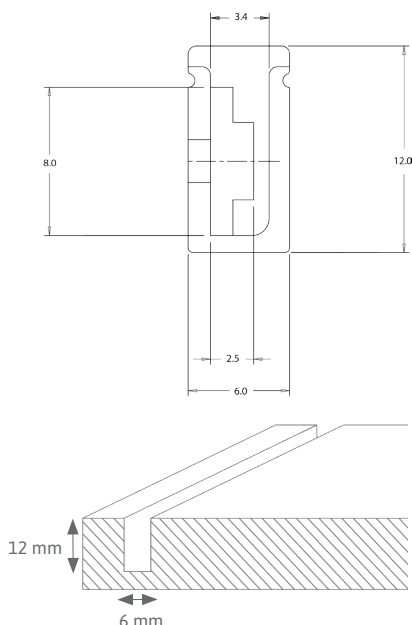


SL-FLEX-WW10W-*
Silicon Stripe for LED Stripes

MONO



Because of the complex production process of LED products the shown values are only statistical representations which deviate from lamp to lamp but not in a significant manner.



PRODUCT PROPERTIES

- » silicon profile for SIRO LED stripes with 8 mm width
- » can be milled into or built onto solutions
- » continuous and soft light
- » light is emitted from the side
- » soldered input cable (500 mm) with SIRO MONO plug
- » controllable and dimmable with SIRO MONO receiver

TECHNICAL SPECIFICATIONS

- » nominal power:..... 9,6 W/m
- » nominal voltage:..... 24V DC
- » beam angle (non-directional):..... 110°
- » operating temperature:..... -25° - +60° C
- » storage temperature:..... -40° - +80° C

PHOTOMETRIC SPECIFICATIONS

- » rated luminous flux:..... 860 lm/m
- » nominal luminous flux:..... 860 lm/m
- » flux with silicon profile:..... 287 lm/m
- » color temperature:..... 3000K
- » color rendering index Ra:..... >95
- »LED-type..... SMD Microchip
- »LED per meter:..... 140

DIMENSIONS

- » width: 6 mm
- » height:..... 12 mm
- » installation width:..... 6 mm
- » installation depth: 12 mm

AVAILABLE LENGTHS

- » SL-FLEX-WW10W-450: 450 mm
- » SL-FLEX-WW10W-600: 600 mm
- » SL-FLEX-WW10W-900: 900 mm
- » SL-FLEX-WW10W-1200: 1200 mm
- » SL-FLEX-WW10W-1500: 1500 mm
- » SL-FLEX-WW10W-2000: 2000 mm
- » SL-FLEX-WW10W-2500: 2500 mm
- » SL-FLEX-WW10W-3000: 3000 mm

SL-NT24CV20W-DB1

Power supply 20 watt white



PRODUCT FEATURES

- „Power supply 20 Watt incl. 2 m connection cable
- „Short circuit protection
- „Over load protection
- „ 6 compartment distribution box for connection of 24V DC SIRO Receiver and 24V DC MONO Led products without control

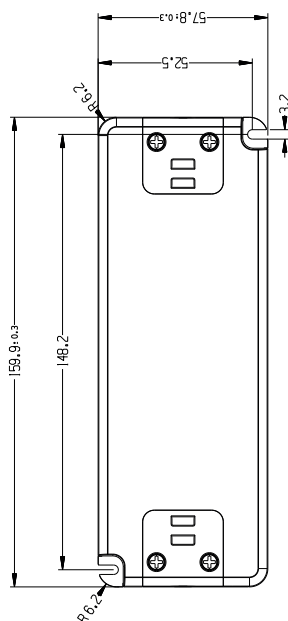
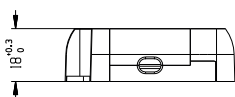
TECHNICAL DATA

- » Light type: LED
- » Input voltage: 220 - 240 VAC
- » Output voltage: 24V DC
- » Output current: 0,83 A
- » Power: 20 Watt
(10% reserve recommended)
- » Efficiency:
- » Standby P:
- » No-load power P_{no}:
- » Networked standby power P_{net}:
- » Protection class: IP20
- » Power frequency input: 50Hz bis 60Hz
- » Housing color: weiß
- » Ambient temperature: -20° - +45° C
- » Safety: Short circuit protection, overload protection

DIMENSIONS & WEIGHT

- » Length: 140 mm
- » Width: 48 mm
- » Height: 14,5 mm
- » Weight in G:

SL-NT24CV60W-DB1
Power supply 60 Watt



PRODUCT FEATURES

- „Power supply 60 Watt incl. 2 m connection cable
- „ low stand-by consumption < 0,5 W
- „Short circuit protection
- „Over load protection
- „ 6 compartment distribution box for connection of 24V DC SIRO Receiver and 24V DC MONO Led products without control

TECHNICAL DATA

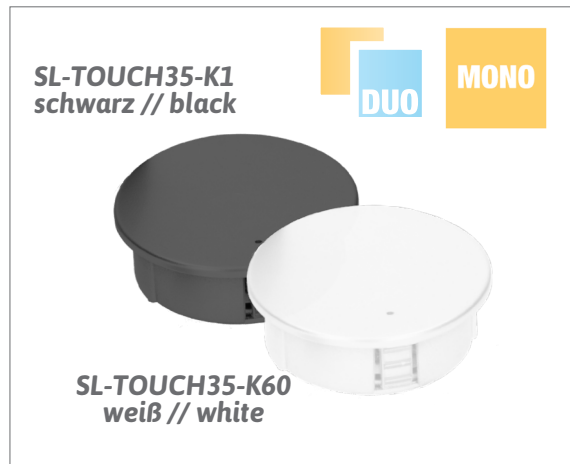
- » Light type: LED
- » Input voltage: 220 - 240 VAC
- » Output voltage: 24V DC
- » Output current: 2,5 A
- » Power: 60 Watt
(10% reserve recommended)
- » Efficiency: 88 %
- » Standby P: 0,44 W
- » No-load power P_{no}: 0,46 W
- » Networked standby power P_{net}: 0,46 W
- » Protection class: IP20
- » Power frequency input: 50Hz bis 60Hz
- » Housing color: white
- » Ambient temperature: -20° - +45° C
- » Safety: Short circuit protection, overload protection

DIMENSIONS & WEIGHT

- » Length: 159,9 mm
- » Width: 57,8 mm
- » Height: 18,0 mm
- » Weight in G: 260,0 g

SL-TOUCH35-K1 // SL-TOUCH35-K60

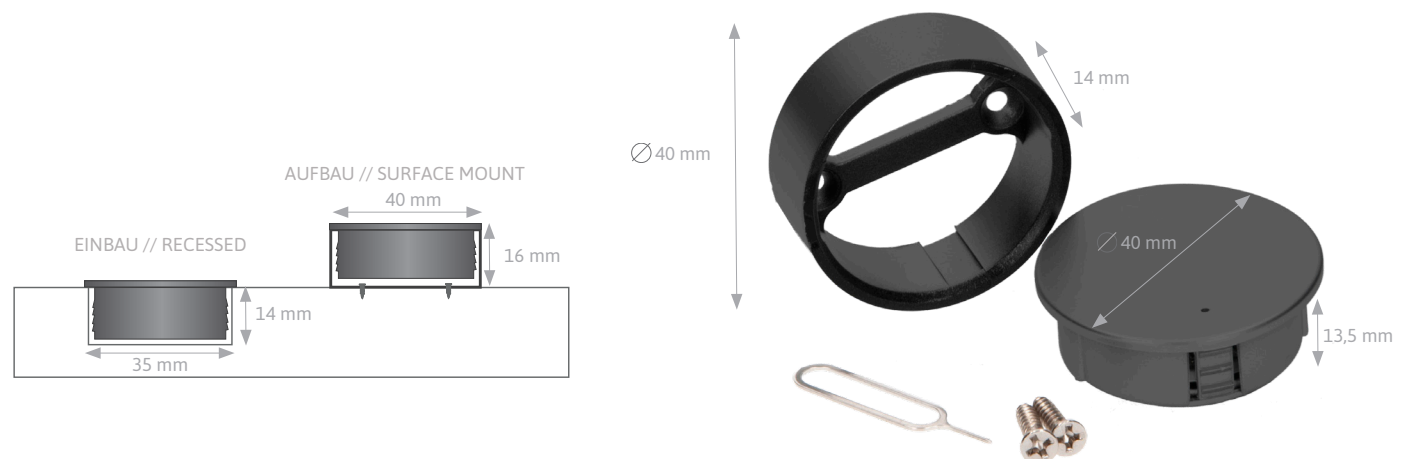
Control for SIRO REC02 Receiver



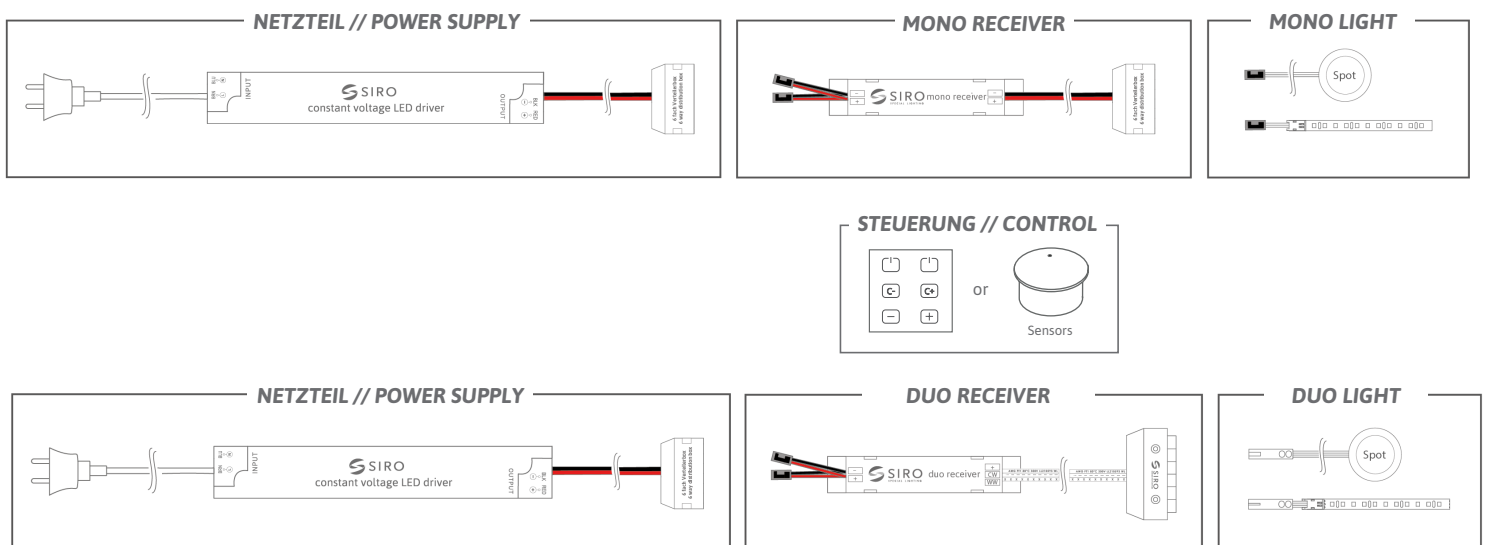
PRODUCT SPECIFICATION

- » SL-TOUCH35 controls coupled receivers by touch the sensor surface
- » Control of SIRO MONO and DUO REC02 RECEIVER (SL-REC02MONO // SL-REC02DUO)
- » Small, compact design, ideal for furniture applications
- » Can be milled in or used as a mounting variant with mounting ring
- » Quick and easy installation
- » Radio range up to 10 meters
- » Dimming function by holding down the sensor surface
- » Battery operated TYPE CR 3032
- » incl. mounting ring // mounting screws // pin needle

PRODUCT DIMENSIONS



CONNECTION OVERVIEW



SL-PIR35-K1 // SL-PIR35-K60

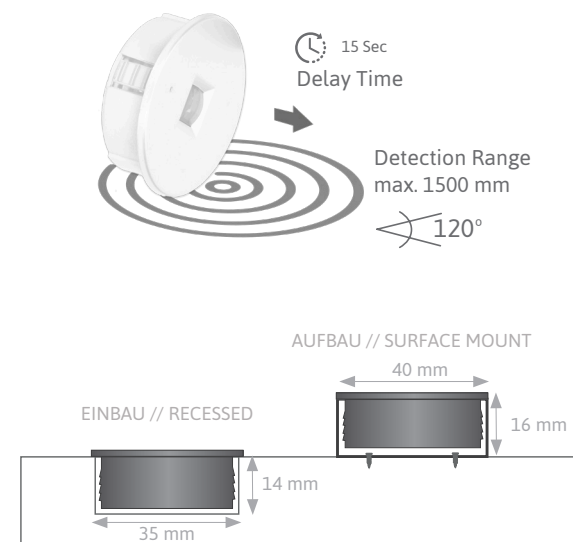
Control for SIRO REC02 Receiver



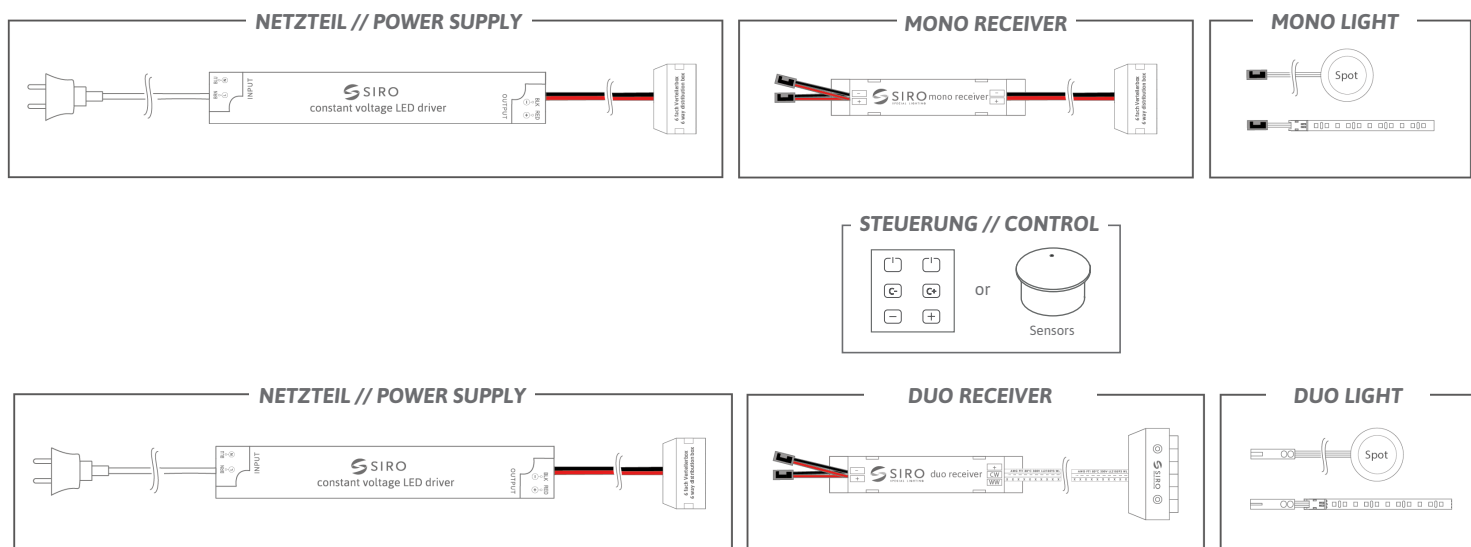
PRODUCT SPECIFICATIONS

- » SL-PIR35 controls coupled receivers by motion in the detection zone
- » Control of SIRO MONO and DUO REC02 RECEIVER (SL-REC02MONO // SL-REC02DUO)
- » Small, compact design, ideal for furniture applications
- » Can be milled in or used as a mounting variant with mounting ring
- » Quick and easy installation
- » Radio range up to 10 meters
- » Battery operated TYPE CR 3032
- » incl. mounting ring // mounting screws // pin needle

PRODUCT DIMENSIONS

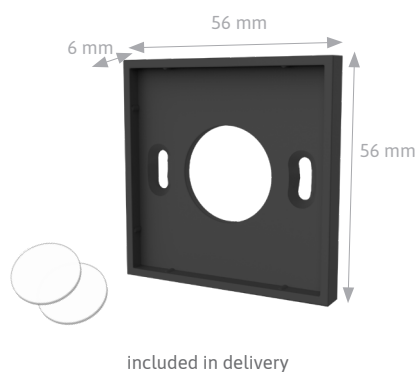


CONNECTION OVERVIEW



SL-SZ4MONO

Controller for SIRO REC02MONO Receiver



PRODUCT PROPERTIES

- » 4 area controller for SIRO MONO LED products
pro area the you need one SL-REC02MONO receiver
- » dim function (10 - 100%)
- » battery powered type CR 3032
- » can be combined with SIRO sensory products
- » assembled by screws or glue pads
(glue pads are included in delivery)

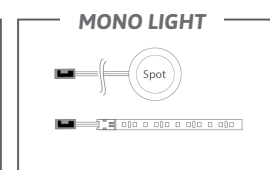
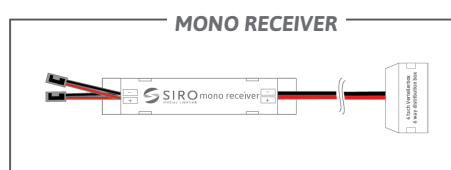
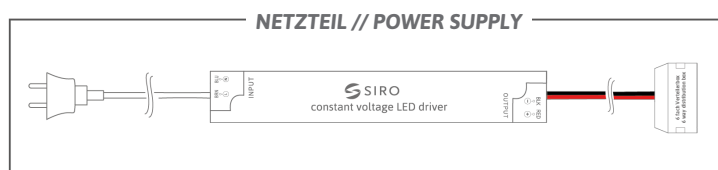
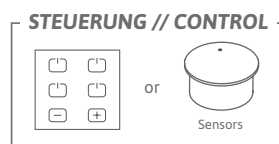
TECNICAL SPECIFICATIONS



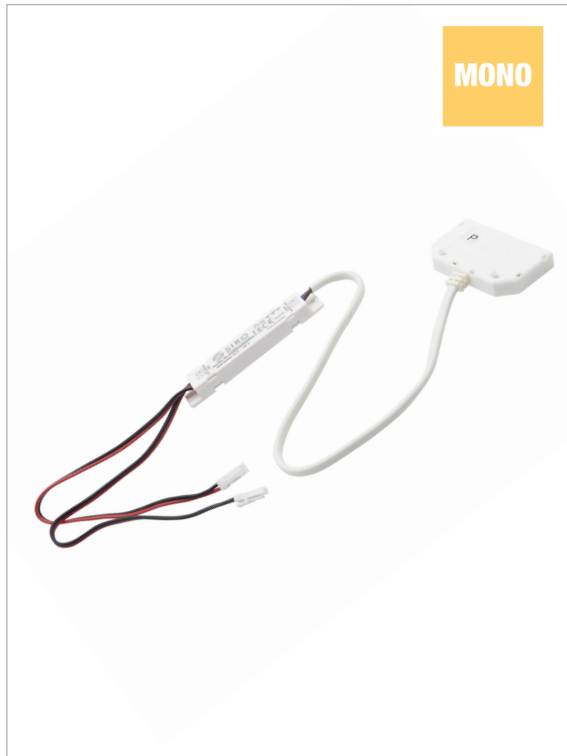
battery power CR 3032



CONNECTION OVERVIEW



SL-REC02MONO
RF Receiver for MONO light products



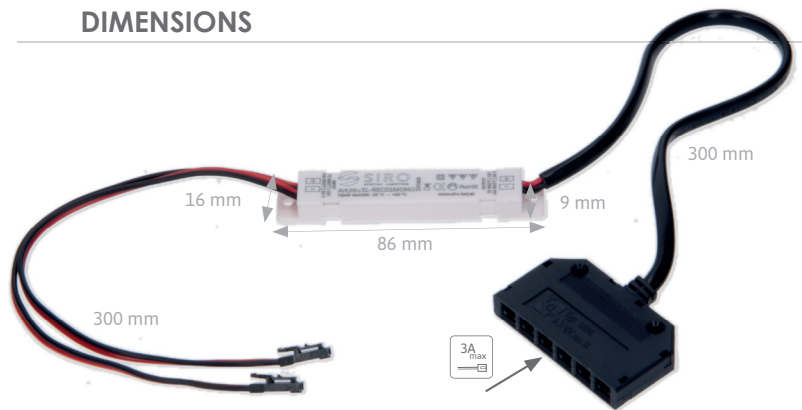
PRODUCT PROPERTIES

- » control of SIRO DUO LED light products with 4 area controller (SL-SZ4MONO)
or sensors (SL-MAG35 // SL-PIR35 // SL-TOUCH35)
- » can be controlled by up to 8 controllers
- » small, compact construction, ideal for furniture lighting
- » quick and simple installation through ready to plug system
- » wireless range up to 10 meters

TECHNICAL SPECIFICATIONS

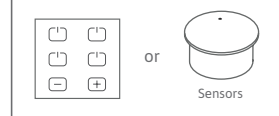
- » Input:..... 12-24 VDC
2 x 300 mm connection cable with SIRO Mono plug
max 3 A per cable
- » output:..... 144 W / 24V DC
6-socket distributor box with 300 mm
connection cable for SIRO DUO light products

DIMENSIONS

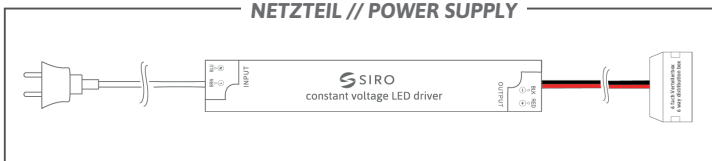


CONNECTION OVERVIEW

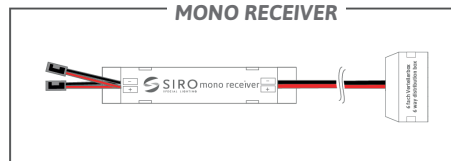
STEUERUNG // CONTROL



NETZTEIL // POWER SUPPLY



MONO RECEIVER



MONO LIGHT

