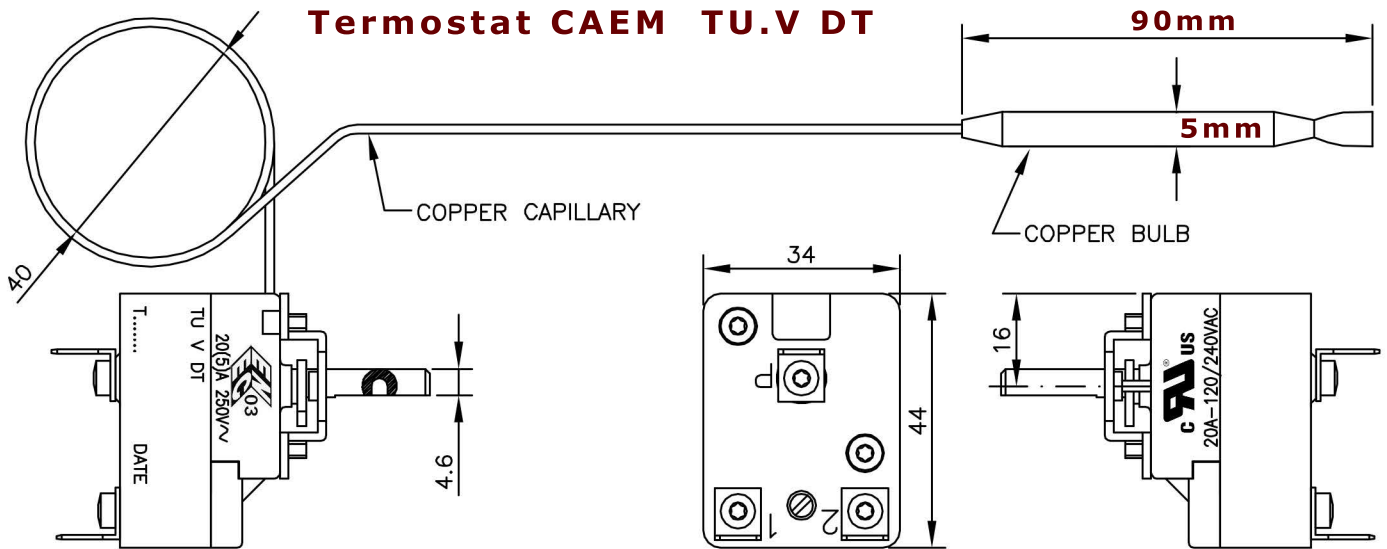


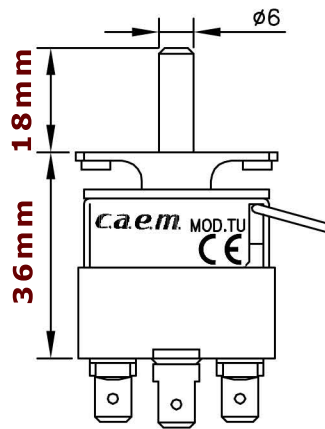
Termostat CAEM TU.V DT



TECHNICAL DATA

- MIN CAPILLARY BENDING RADIUS 5 mm
- CALIBRATION AND CHECK IN LIQUID BATH
- TEMPERATURE RANGE : FROM -40°C TO 400°C WITH THERMOSTAT AT ROOM TEMPERATURE
- ACTION TYPE : 1B - 2B (EN 60730)
- INTERNATIONAL PROTECTION : IP00
- INSULATION CLASS : I OR II
- APPROVALS

| | |
|------------|-----------------|
| ENEC : | 20A(5) 250V~ |
| UL - CSA : | 20A 120/240 VAC |
| INAIL | |



ELECTRIC DIAGRAM

(SINGLE POLE - DOUBLE THROUGH)

SP - DT

