

# Electronic thermostats

# THALOS

## DIMENSIONS (mm)

## CONNECTION DIAGRAM

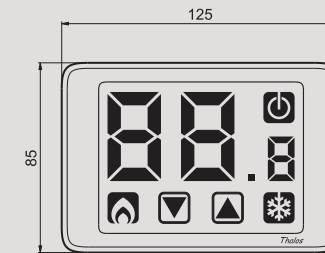
Series of wall-mounting touch screen thermostats designed for temperature control both in heating and cooling, available in white and black colours and with AC power supply or battery.



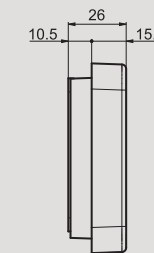
- 1 Plastic base for wall-mounting or to cover the in built three-modules box
- 2 Wide touch screen backlit display to view the measured temperature and for the instrument programming
- 3 Terminals in the back of the instrument for connection to the relay output, power supply (230V models only) and external contact (battery model only)



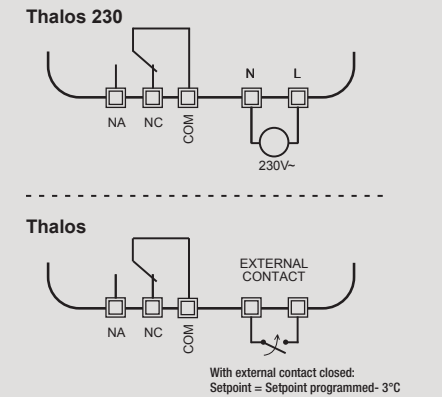
### Front view



### Side view



### Diagram



# CLIMATE CONTROL

## WALL-MOUNTING TOUCH SCREEN THERMOSTATS

### THALOS 230

- Power supply: 230Vac 50/60 Hz
- Operating mode: summer/winter/OFF
- ON/OFF type regulation with adjustable differential
- Off function with antifreeze temperature (adjustable)
- Monostable relay output 5 A / 250 V AC
- Password protected lock keypad
- Possibility to limit the range of values that can be set as the setpoint
- Multicolour backlighting display:
  - blue if the measured room temperature is lower than the setpoint at least of 0.5 °C;
  - green if the gap between the measured temperature and the programmed setpoint is lower than 0.5 °C;
  - red: if the measured room temperature is higher than the setpoint at least of 0.5 °C.



### THALOS

- Power supply: 2x1.5V (AAA type)
- Operating mode: summer/winter/OFF
- ON/OFF type regulation with adjustable differential
- Off function with antifreeze temperature (adjustable)
- Bistable relay output with 5 A change-over contact (250 V AC)
- Password protected lock keypad
- Possibility to limit the range of values that can be set as the setpoint
- Monocolour backlighting display (blue) activation after a key pressure
- Input for free voltage contact for the reduction of the setpoint of 3°C



digital input

Code	Model	Description	Colour	Power supply
VE434700	Thalos 230 Bianco	Touchscreen thermostat 230V with multicolour display	White	230V~
VE435400	Thalos 230 Nero	Touchscreen thermostat 230V with multicolour display	Black	230V~
VE432100	Thalos Bianco	Touchscreen thermostat with backlit display	White	Batteries
VE433900	Thalos Nero	Touchscreen thermostat with backlit display	Black	Batteries

## TECHNICAL INFORMATION

### GENERAL CHARACTERISTICS

#### Thalos 230

Power supply	V AC	230 (-15% ÷ +10%)
Frequency	Hz	50/60
Mounting		wall
Maximum cables section	mm <sup>2</sup>	1.5
Output relay capacity		5A / 250 V (monostable)
Input		-
Operating mode		summer/winter/OFF
Setpoint range	°C	2 ÷ 35
Differential	°C	0.1 ÷ 1
Measurement temperature resolution	°C	0.1
Measurement precision	°C	0.5
Antifreeze temperature	°C	1 ÷ 10
Operating temperature	°C	0 ÷ 50
Storage temperature	°C	-10 ÷ 65
Operating humidity	RH	20% ÷ 90% non condensing
Protection degree		IP40

#### Thalos

Alkaline batteries supply		2 x 1.5V (AAA)
Battery life	months	12
Mounting		wall
Maximum cables section	mm <sup>2</sup>	1.5
Output relay capacity		5A / 250 V (bistable)
Input		two terminals for setpoint reduction
Operating mode		summer/winter/OFF
Setpoint range	°C	2 ÷ 35
Differential	°C	0.1 ÷ 1
Measurement temperature resolution	°C	0.1
Measurement precision	°C	0.5
Antifreeze temperature	°C	1 ÷ 10
Operating temperature	°C	0 ÷ 50
Storage temperature	°C	-10 ÷ 65
Operating humidity	RH	20% ÷ 90% non condensing
Protection degree		IP40

### REFERENCE STANDARDS

Compliance with Community Directives: 2006/95/EC (Low Voltage) and 2004/108/EC (E.M.C.) is declared with reference to the following standards: • EN 60730-2-9