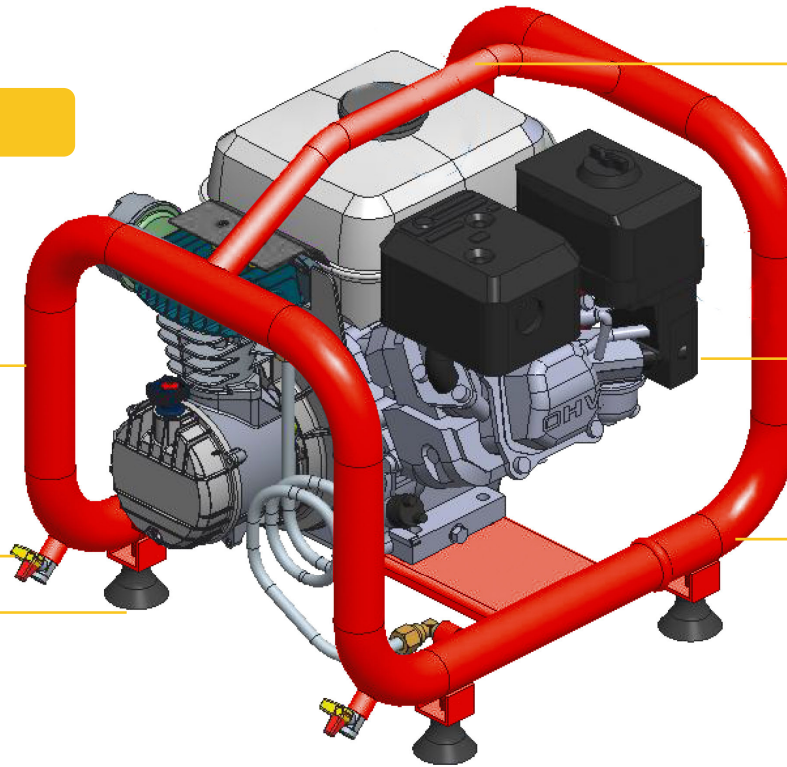


Compressore d'aria a piston Piston air compressor



SHUTTLE MK236 HONDA

Motocompressore a benzina Petrol engine compressor



Lightweight and portable.

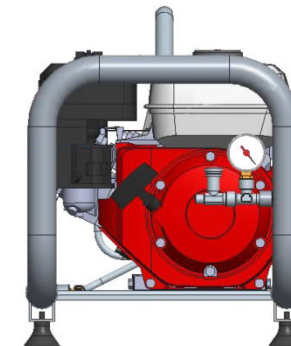
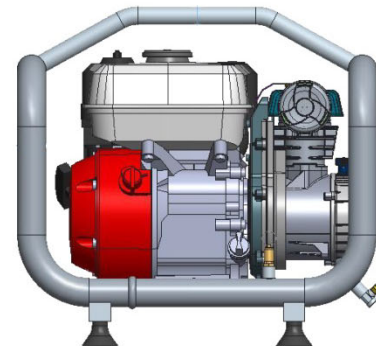
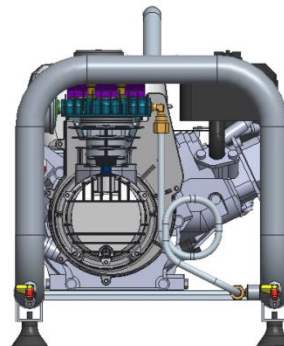
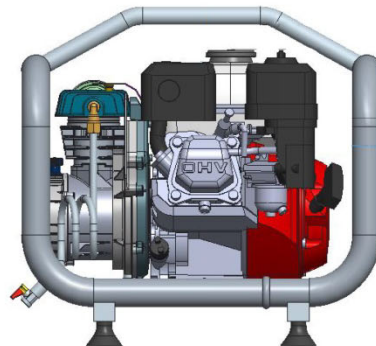
Honda original motor.

Suitable for construction sites.

Frame used as tank 3,2L

Two tap ball valve

The suction cup feet ensure excellent stability during use.



Code	Tank	Power	Max Press.	Lubricated	RPM	Air displacement	Packaging dim. (LxWxH) mm	Gross Weight	Product dim. (LxWxH) mm	Net Weight
-	3,2 L	5 Hp/3,7 kW	7 bar/101 PSI	YES	3200	220 l/min - 7,8 CFM	400x600x630	28,6 kg	380x490x470	26,4 kg