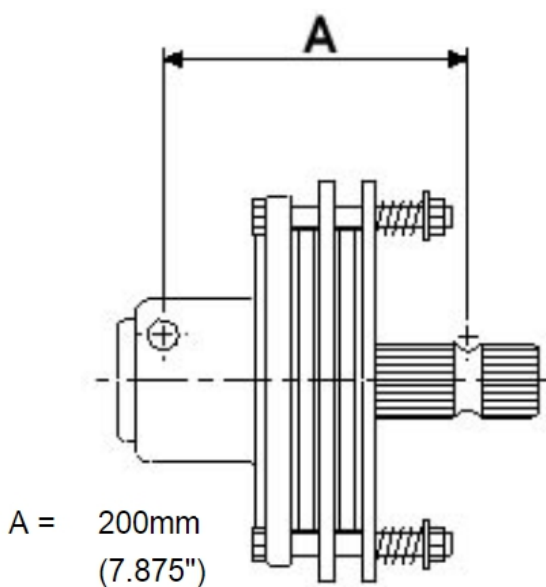


PTO Slip Clutch and Overrun Coupler 150HP #224

Allows PTO driven implements to freewheel with adjustable safety protection under load.
Prevents single clutch tractors from being driven forward by PTO over-run.
Integral heavy duty adjustable disc type safety clutch protects PTO drive line.



For rear mounted PTO applications.
1 3/8" 6 Spline - Male/Female
150HP capacity 4 plate clutch.
Clutch plate Ø: 200mm (8") Ø.



REMEMBER THIS!

To adjust these BARE-Co PTO clutches:

Basic Spring Length 31.75mm (1 1/4")

Adjust to slip on overload.

At 6 Months, back off to polish discs.

<i>Tighten Shaft Clamping Bolts as Below. Repeat after 8 Hours + every 40 hours.</i>	
Pair of 1/2" dia Clamp Bolts	75 ft lbs
Pair of 5/8" dia Clamp Bolts	150 ft lbs
Single Cotter Clamp Bolt	100 ft lbs

Note: LOOSE BOLTS = STRIPPED SPLINES.

**2 spare
plates**



2638



2639



+44 1743 850761
gwaza.co.uk
sales@gwaza.co.uk