

6

5

4

3

2

1

D

D

C

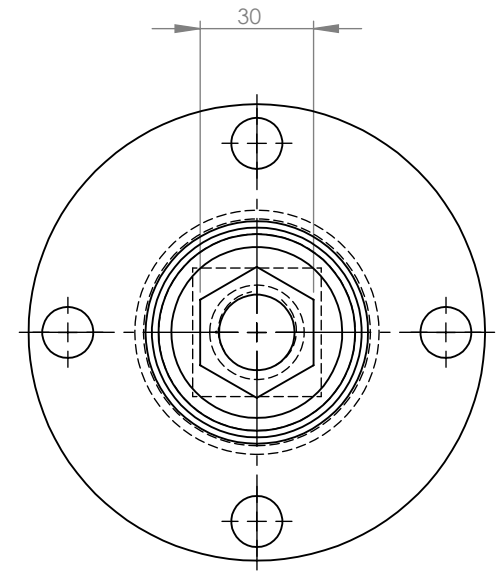
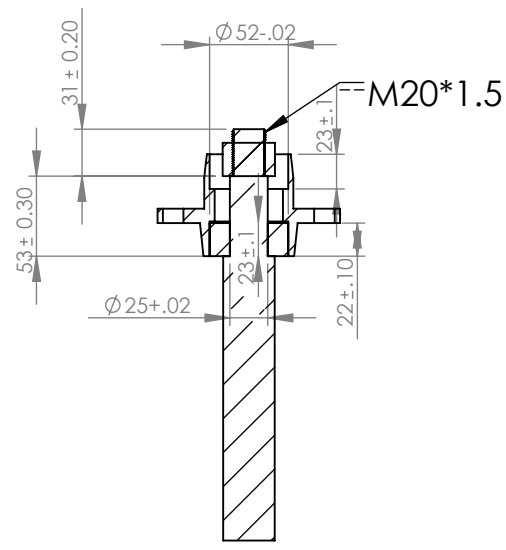
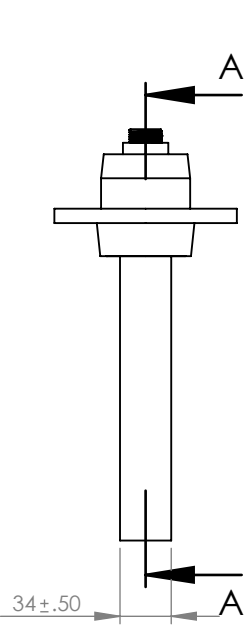
C

B

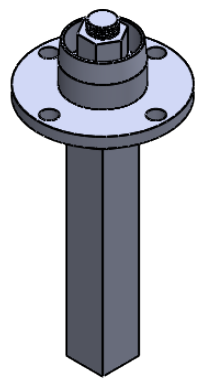
B

A

A



NOTE= BEARING NO - 30205
 I.D -25.00mm
 O.D -52.00mm
 THICKNESS -16.50mm



		DEBURR AND BREAK SHARP EDGES		DO NOT SCALE DRAWING		REVISION	
MADE BY		DATE		100 PCD HUB ASSEMBLY			
VERIFIED BY							
CHECKED BY							
APPROVED BY							
RE.APPROVED BY							
		PART NO.		2581		A4	
		WEIGHT:		SCALE:1:5		SHEET 1 OF 1	

6

5

4

3

2

1