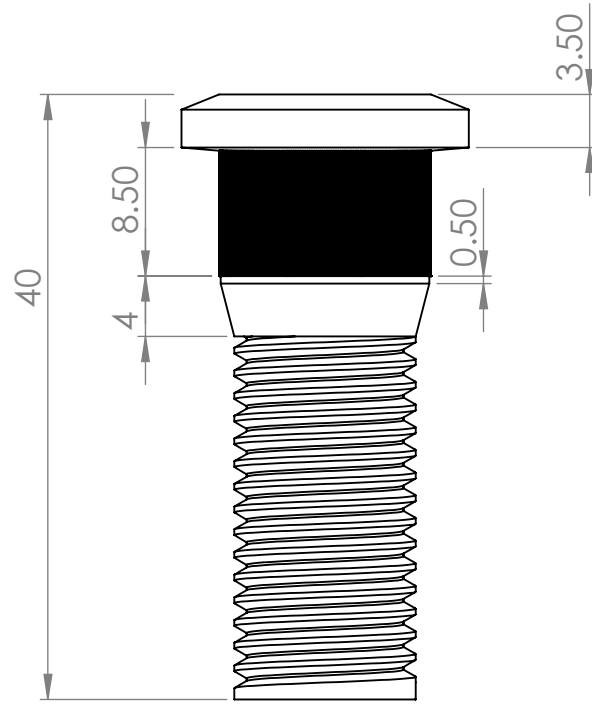
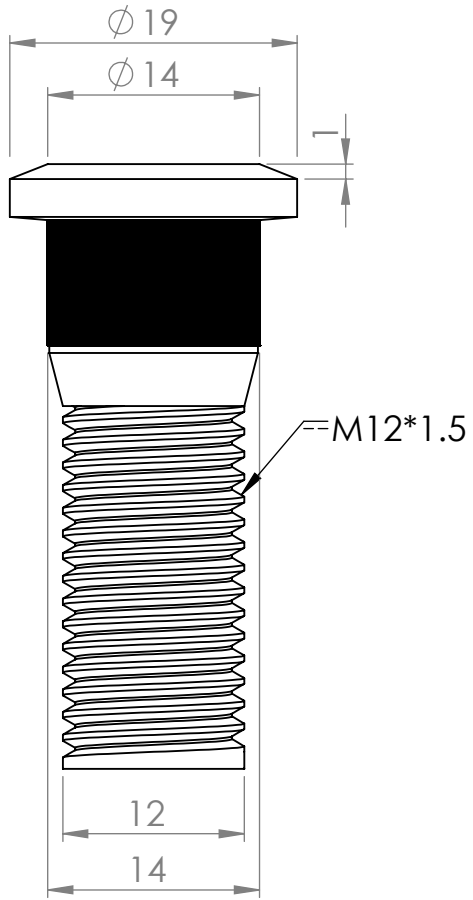
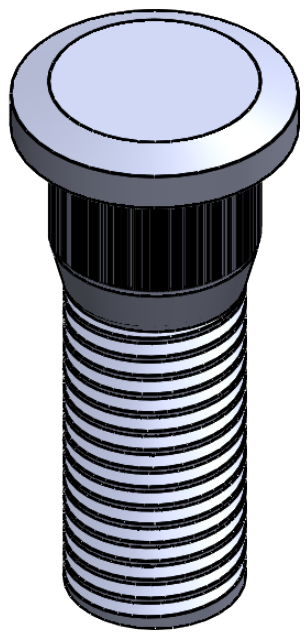


6 5 4 3 2 1

D
C
B
A

D
C
B
A



		DEBURR AND BREAK SHARP EDGES	DO NOT SCALE DRAWING	REVISION
MADE BY		DATE		
VERIFIED BY				
CHECKED BY				
APPROVED BY			BOLT	
RE.APPROVED BY			PART NO.	A4
			2581 B	
		WEIGHT:	SCALE:2:1	SHEET 1 OF 1

6 5 4 3 2 1