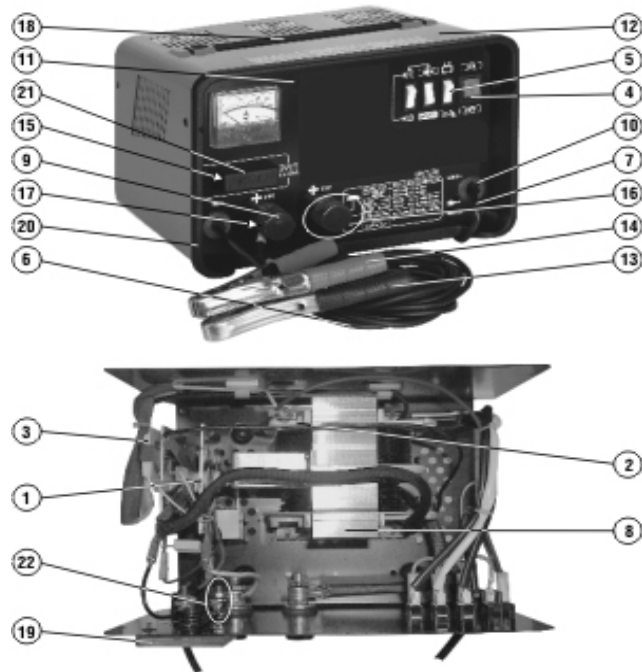


807551

Leader 400 Start



Ref.	Description	Key
1	RECTIFIER KIT	990685
2	THERMOSTAT	121069
3	THERMOSTAT	121021
4	SWITCH	122477
5	SWITCH	122400
6	CABLE 10 MMQ 2 M	123425
7	MAINS CABLE 3G1.5 2 M SCHUKO PLUG	132310
8	TRANSFORMER	169140
9	HANDWHEEL	312053
10	CABLE BUSHING	322112
11	KIT FRONTALE	981189
12	COVER KIT	990948
13	COLORADO 150B WORK CLAMP 150A	712001
14	COLORADO 150R POSITIVE CLAMP 150A	712002
15	KIT 20 FUSES 50A	802259
16	COMPLETE TERMINAL KIT D.33MM	990162
17	INSULATING WASHERS KIT	990163
18	KIT HANDLE	990341
19	AMMETER	152020
20	FRAME	322666
21	FUSE COVER	322051
22	FUSE HOLDER	980036