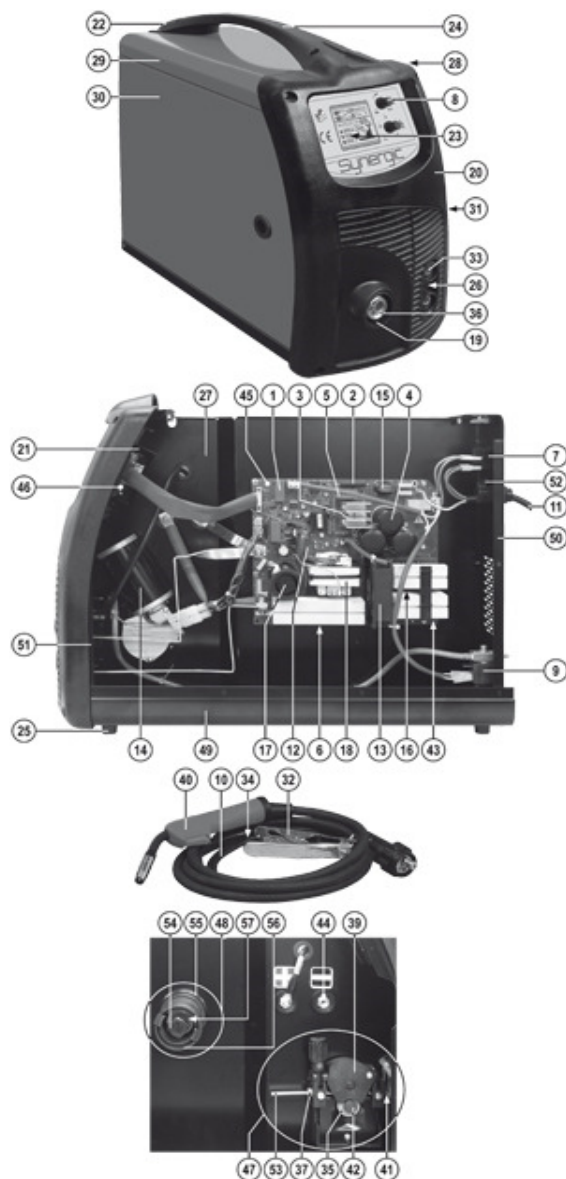
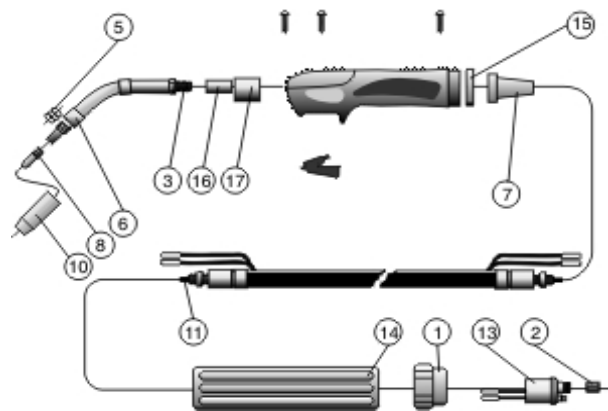


Technomig 215 Dual Synergic



Ref.	Description	Key	Ref.	Description	Key
1	RELAIS	111926	34	DINSE PLUG DX 25	712039
2	RESISTANCE	112048	35	FEED ROLL D. 0,6-0,8 MM FE	722112
3	SINGLE-PHASE RECTIFIER	112357	36	TORCH CONNECTION	723304
4	CAPACITOR	112694	37	WIRE GUIDE INLET	742064
5	RELAIS	116320	38	FEED ROLL D. 0,8-1 MM AL	742090
6	DIODE	116839	39	ANCHOR FOR PRESSURE ROLLER	742096
7	SWITCH	121248	40	MT15 MIG TORCH 3 M 220 A	742180
8	ENCODER KNOB	121315	41	WIRE CONDUIT Ø 2X5	742365
9	ELECTROVALVE	122035	42	ROLLERFIXING SCREW	742397
10	CABLE 16 MMQ 3 M - DINSE 25	123437	43	IGBT + DIODE KIT	980990
11	MAINS CABLE	132157	44	CLAMP KIT	981383
12	CURRENT TRANSFORMER	152230	45	COMPLETE PCB KIT	981494
13	FAN	152269	46	KIT FRONT PANEL CARD	981495
14	MOTOREDUCER 24V DC	153039	47	KIT 2 ROLLS WIREFEEDER	981496
15	FILTER INDUCTANCE	164741	48	REEL KIT	981497
16	TRANSFORMER X FLYBACK	169700	49	BOTTOM KIT	981498
17	OUTPUT INDUCTANCE	169808	50	BACK PANEL KIT	981499
18	POWER TRAFÖ	169822	51	FRONT PANEL KIT	981500
19	TORCH CONNECTION PROTECTION	312105	52	KIT CABLE BUSHING + RING NUT	990046
20	FRONT PANEL	321135	53	GAS HOSE KIT	990097
21	CARD HOLDER	321141	54	REEL HANDWHEEL	312137
22	HANDLECOVER	321142	55	REEL	322081
23	SHIELD	321150	56	SPACER	322180
24	HANDLE	322883	57	REEL SPRING	452057
25	FOOT	323001			
26	DINSE HOLDER	645623			
27	DIAPHRAGM	645624			
28	TORCH HOLDING HOOK	645628			
29	COVER	651201			
30	DOOR	656142			
31	SIDE PANEL	656143			
32	TOLEDO 250 WORK CLAMP 250A	712030			
33	DINSE SOCKET DX 25	712035			

MT15 MIG Torch 3M 220A



Ref.	Description	Key
1	RING NUT	722007
2	LINER NUT	722013
3	SWAN NECK DIFFUSER	722305
5	NOZZLE SPRING	722319
6	DIFFUSER INSULATION	722326
7	TORCH HOLDER	742172
8	CONTACT TIP D. 0,8 MM FE	722416
8	CONTACT TIP D. 0,6 MM FE	722415
10	CYLINDRICAL NOZZLE	722149
10	CONICAL NOZZLE	722423
11	WIRE GUIDE HOSE D. 1-1,2 MM 3 M	722689
11	WIRE GUIDE HOSE D. 0,6-0,8 MM 3 M	722437
13	TORCH ASSY	722441
14	TORCH CONNECTION	742175
15	TORCH RING NUT	742171
16	TORCH CONNECTION	722325
17	TORCH CONNECTION INSULATION	722693