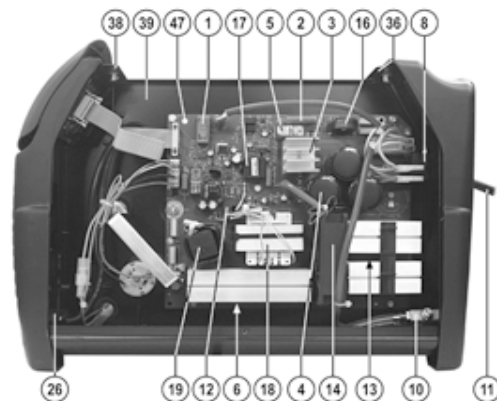
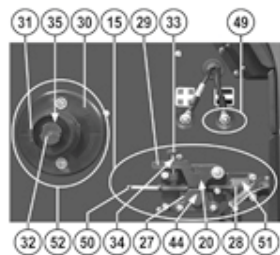
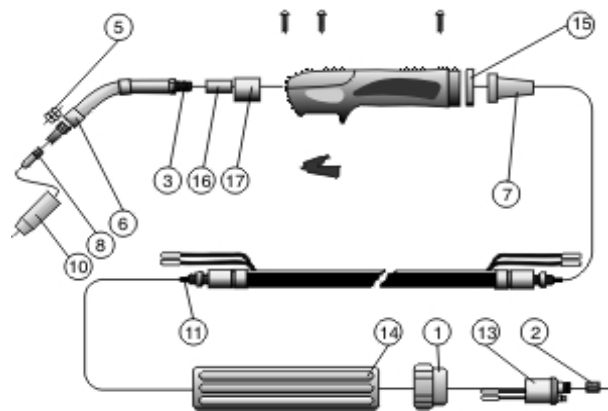


Technomig 210 Dual Synergic



Ref.	Description	Key	Ref.	Description	Key
1	RELAIS	111926	33	WIRE FEED HANDWHEEL	422257
2	RESISTANCE	112048	34	SPRING	452022
3	SINGLE-PHASE RECTIFIER	112357	35	REEL SPRING	452065
4	CAPACITOR	112694	36	BACK PANEL	642317
5	RELAIS	116320	37	BOTTOM	645580
6	DIODE	116839	38	FRONT PANEL	645596
7	CABLE 16 MMQ 3 M	123443	39	DIAPHRAGM	645597
8	SWITCH	121248	40	COVER	651189
9	POTENTIOMETER KNOB	121547	41	SIDE PANEL	656121
10	ELECTROVALVE	122035	42	DOOR	656122
11	MAINS CABLE	132157	43	TOLEDO 250 WORK CLAMP 250A	712030
12	CURRENT TRANSFORMER	152230	44	FEED ROLL D. 0,6-0,8 MM FE	722019
14	FAN	152269	45	TORCH CONNECTION	723051
15	WIRE FEED MOTOR	153007	46	MT15 MIG TORCH 3 M 220 A	742180
16	FILTER INDUCTANCE	164741	47	COMPLETE PCB KIT	981381
17	TRANSFORMER X FLYBACK	169700	48	KIT FRONT PANEL CARD	981382
18	POWER TRANSFORMER	169807	49	CLAMP KIT	981383
19	OUTPUT INDUCTANCE	169808	50	GAS HOSE KIT	990097
20	PRESSURE ROLL	232105	51	GEARS KIT	990257
21	FRONT PANEL	321091	52	REEL KIT	990288
22	BACK PANEL	321093	53	IGBT + DIODE KIT	980990
23	HANDLE	321095			
24	DOOR KNOB	321102			
25	FRONT PROTECTION	321122			
26	CABLE BUSHING	322112			
27	ROLL SUPPORT	322126			
28	TORCH FIXING CASING	322127			
29	PRESSURE ROLL BRACKET	322128			
30	SPINDLE	322172			
31	REEL RING NUT	322173			
32	REEL HANDWHEEL	322174			

MT15 MIG Torch 3M 220A



Ref.	Description	Key
1	RING NUT	722007
2	LINER NUT	722013
3	SWAN NECK DIFFUSER	722305
5	NOZZLE SPRING	722319
6	DIFFUSER INSULATION	722326
7	TORCH HOLDER	742172
8	CONTACT TIP D. 0,8 MM FE	722416
8	CONTACT TIP D. 0,6 MM FE	722415
10	CYLINDRICAL NOZZLE	722149
10	CONICAL NOZZLE	722423
11	WIRE GUIDE HOSE D. 1-1,2 MM 3 M	722689
11	WIRE GUIDE HOSE D. 0,6-0,8 MM 3 M	722437
13	TORCH ASSY	722441
14	TORCH CONNECTION	742175
15	TORCH RING NUT	742171
16	TORCH CONNECTION	722325
17	TORCH CONNECTION INSULATION	722693